

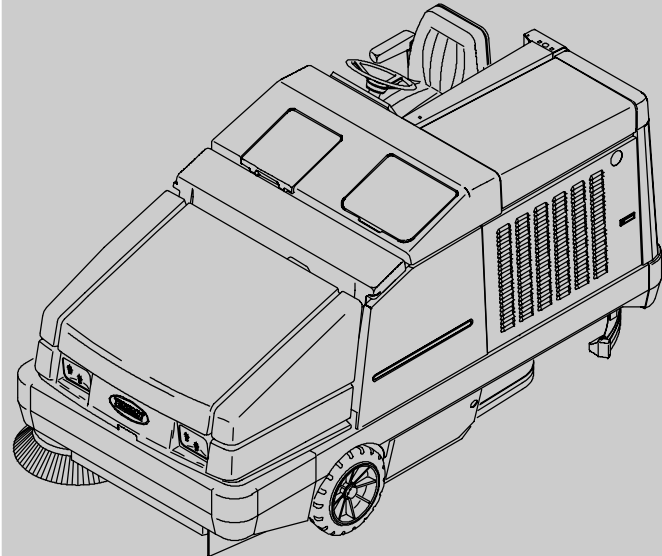
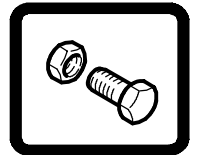


# 8410D

(Diesel)

(000000- )

## Sweeper-Scrubber Parts Manual



**The Safe Scrubbing Alternative<sup>®</sup>**

**ES<sup>®</sup> Extended Scrub System**

**North America / International**

[www.tennantco.com](http://www.tennantco.com)

MM391  
Rev. 15 (05-2007)



When ordering replacement parts, use the illustrated parts list section in this manual. Before ordering parts or supplies, be sure to have your machine model number and serial number available. Only use TENNANT Company supplied or equivalent parts. Parts and supplies may be ordered online, by phone, or mail from any authorized parts and service center, distributor or from any of the manufacturer's subsidiaries.

This machine will provide excellent service. However, the best results will be obtained at minimum costs if:

- The machine is operated with reasonable care.
- The machine is maintained regularly - per the machine maintenance instructions provided.
- The machine is maintained with manufacturer supplied or equivalent parts.

#### MACHINE DATA

Please fill out at time of installation for future reference.

Model No. - \_\_\_\_\_

Serial No. - \_\_\_\_\_

Machine Options - \_\_\_\_\_

Sales Rep. - \_\_\_\_\_

Sales Rep. phone no. - \_\_\_\_\_

Customer Number - \_\_\_\_\_

Installation Date - \_\_\_\_\_

#### **Tennant Company**

PO Box 1452

Minneapolis, MN 55440

Phone: (800) 553-8033 or (763) 513-2850

[www.tennantco.com](http://www.tennantco.com)

Thermo-Sentry and FaST-PAK are US registered and unregistered trademarks of Tennant Company.

Specifications and parts are subject to change without notice.

Copyright © 1996, 1997, 1999 - 2006, 2007 TENNANT Company, Printed in U.S.A.

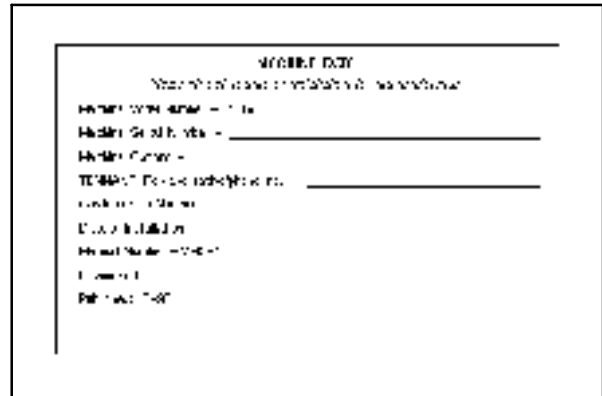
## HOW TO USE THIS MANUAL

This section on *HOW TO USE THIS MANUAL* will tell you how to:

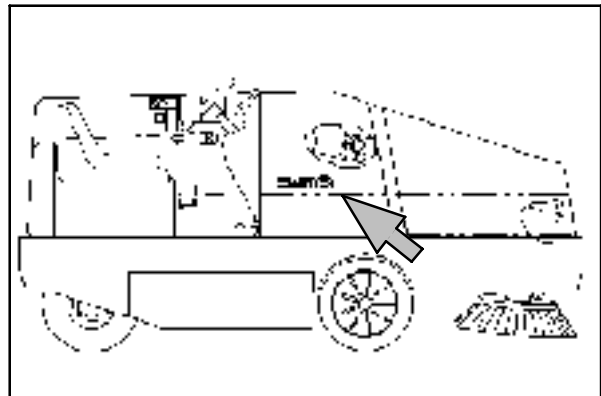
- Find important machine information for ordering correct repair parts.
- Find TENNANT part numbers.
- Order TENNANT parts and supplies.

### IMPORTANT INFORMATION

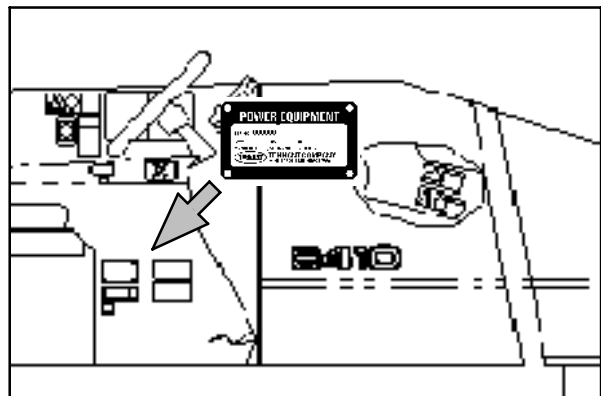
When placing an order for parts, the machine model and machine serial number are important. Refer to the *MACHINE DATA* box which is filled out during the installation of your machine. The *MACHINE DATA* box is located on the inside of the front cover of this manual.



The model number of your machine is on the side of the machine.



The serial number of your machine is printed on the machine data plate located as shown.



# HOW TO USE THIS MANUAL

## FINDING A TENNANT PART NUMBER

This manual contains the following sections:

- HOW TO USE THIS MANUAL
- STANDARD PARTS
- OPTIONS
- BREAKDOWNS
- CROSS REFERENCE

The STANDARD PARTS section lists repair parts for standard machines. They are grouped in this general order:

- General wear parts.
- Machine frame and related parts.
- Machine propelling system.
- Scrubbing components.
- Electrical parts.

The OPTION section lists repair parts of options.

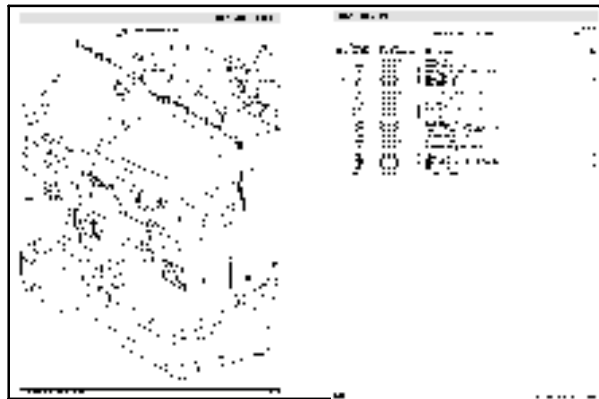
The BREAKDOWN section lists available repair parts of major components.

All sections in this manual consist of parts illustrations and corresponding parts lists.

The parts illustrations are numbered with **Ref** numbers which refer to corresponding parts lists.

The parts lists include a number of columns of information:

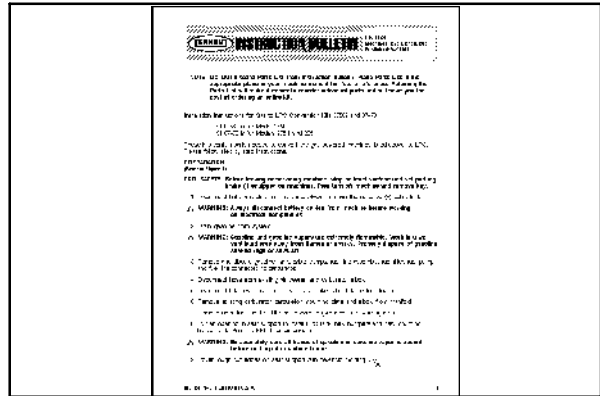
- **Ref** - column refers to the reference number on the parts illustration.
- ∇ - indicates the part is an assembly.
- ▲ - indicates the part is included in the assembly listed just before it.
- **TENNANT Part No.** - column lists the TENNANT part number for the part.
- **Serial Number** - column indicates the set of machines the part number is applicable to. Serial numbers change when the machine design has been modified. The most current design of the machine is shown in the main illustration, older designs are boxed in a corner of the illustration.
- **Description** - column is a brief description of the part.
- **Qty.** - column lists the quantity of that part used in that area of the machine.



Ref	Serial Number	Description	Qty.
1000	0000	Motor	1
1001	0000	Motor Mounting	1
1002	0000	Motor Mounting	1
1003	0000	Motor Mounting	1
1004	0000	Motor Mounting	1
1005	0000	Motor Mounting	1
1006	0000	Motor Mounting	1
1007	0000	Motor Mounting	1
1008	0000	Motor Mounting	1
1009	0000	Motor Mounting	1
1010	0000	Motor Mounting	1
1011	0000	Motor Mounting	1
1012	0000	Motor Mounting	1
1013	0000	Motor Mounting	1
1014	0000	Motor Mounting	1
1015	0000	Motor Mounting	1
1016	0000	Motor Mounting	1
1017	0000	Motor Mounting	1
1018	0000	Motor Mounting	1
1019	0000	Motor Mounting	1
1020	0000	Motor Mounting	1

**NOTE:** If a service kit is installed on your machine, be sure to keep the **INSTRUCTION BULLETIN** which came with the kit. It contains repair parts numbers needed for ordering future parts.

**NOTE:** Fasteners used in this machine may be metric or non-metric. Take care when replacing hardware to replace with same thread size.



## PLACING AN ORDER

Orders may be placed by phone, fax, or by mail. Phone orders may need written confirmation. Follow the steps below to insure prompt delivery:

1. Identify the model number of your machine.
2. Identify the serial number of your machine.
3. Find the part number of the part you need. Do not order by page number or reference number. If you are not able to find the part number, call your TENNANT representative for help or send the old part as a sample.
4. Determine the quantity of the part you need.
5. Provide the following company information:
  - Company name
  - Customer ID Number
  - Shipping address
  - Billing address
  - First and last name of person ordering parts
  - Telephone number
  - Purchase order number
6. Provide definitive shipping instructions.

## HOW TO USE THIS MANUAL

---

Any claim for loss or damage to a shipment in transit should be filed promptly with the transportation company making the delivery. Shipments will be complete unless the packing list or order acknowledgement indicates items back ordered.

If parts received are suspected to be incorrect or defective, please contact the TENNANT representative from whom you ordered the part. They will give authorization for return and/or handle replacement shipments when required.

## SECTION 2

Contents	Page	Contents	Page
Fig. 1 - General Recommended Maintenance Items . . . . .	2-3	Fig. 39 - Hydraulic Pumps Group (013228- ) . . . . .	2-78
Fig. 2 - Brushes, Replacement . . . . .	2-4	Fig. 40 - Hydraulic Schematic . . . . .	2-80
Fig. 3 - Main Frame And Skirt Group . . . . .	2-6	Fig. 41 - Hydraulic Hose Group (000000-013227) . . . . .	2-84
Fig. 4 - Main Frame Left Brush Door Group . . . . .	2-8	Fig. 42 - Hydraulic Hose Group (000000-013227) . . . . .	2-86
Fig. 5 - Main Frame Right Brush Door Group . . . . .	2-10	Fig. 43 - Hydraulic Hose Group (013228- ) . . . . .	2-88
Fig. 6 - Main Frame Seat and Shroud Group . . . . .	2-12	Fig. 44 - Hydraulic Hose Group (013228- ) . . . . .	2-90
Fig. 7 - Main Frame Engine Side Door and Cover Group . . . . .	2-14	Fig. 45 - Hydraulic Reservoir Group . . . . .	2-92
Fig. 8 - Main Frame Tank Panel Group . . . . .	2-16	Fig. 46 - Sweeper Main Hydraulic Valve Group . . . . .	2-94
Fig. 9 - Hopper Lift Arms Group . . . . .	2-18	Fig. 47 - Sweeper Side Brush Lift Group . . . . .	2-96
Fig. 10 - Hopper and Dump Door Group . . . . .	2-20	Fig. 48 - Sweeper Side Brush Motor and Pivot Group . . . . .	2-98
Fig. 11 - Hopper Hood and Bumper Group . . . . .	2-22	Fig. 49 - Sweeper Main Brush Lift Group . . . . .	2-100
Fig. 12 - Hopper Filter Box Group . . . . .	2-24	Fig. 50 - Sweeper Main Brush Drive Group . . . . .	2-102
Fig. 13 - Hopper Cylinder and Dust Door Group . . . . .	2-26	Fig. 51 - Scrub Brush Frame Group . . . . .	2-104
Fig. 14 - Hopper Solenoid Valve Group . . . . .	2-28	Fig. 52 - Scrub Brush Group, Left . . . . .	2-106
Fig. 15 - Vacuum Fan Group, Sweeper . . . . .	2-30	Fig. 53 - Scrub Brush Group, Center . . . . .	2-108
Fig. 16 - Hopper Pressure Switch Group . . . . .	2-32	Fig. 54 - Scrub Brush Group, Right . . . . .	2-110
Fig. 17 - Engine And Mount Group . . . . .	2-34	Fig. 55 - Scrub Hydraulic Control Solenoid Valve Group . . . . .	2-112
Fig. 18 - Engine Throttle Group . . . . .	2-36	Fig. 56 - Scrub Right Side Squeegee Group . . . . .	2-114
Fig. 19 - Engine Alternator Group . . . . .	2-38	Fig. 57 - Scrub Left Side Squeegee Group . . . . .	2-116
Fig. 20 - Engine Air Cleaner Group . . . . .	2-40	Fig. 58 - Scrub Rear Squeegee Linkage Group . . . . .	2-118
Fig. 21 - Engine Muffler Group (000000-013227) . . . . .	2-42	Fig. 59 - Scrub Rear Squeegee Lift Group . . . . .	2-120
Fig. 22 - Engine Muffler Group (013228- ) . . . . .	2-44	Fig. 60 - Scrub Rear Squeegee Frame Group . . . . .	2-122
Fig. 23 - Engine Fuel Tank Group (000000-014999) . . . . .	2-46	Fig. 61 - Scrub Solution Control Group (000000-013311) . . . . .	2-124
Fig. 24 - Engine Fuel Tank Group (015000- ) . . . . .	2-48	Fig. 62 - Scrub Solution Control Group (013312-014211) . . . . .	2-126
Fig. 25 - Engine Radiator and Hydraulic Cooler Group (000000-012179) . . . . .	2-50	Fig. 63 - Scrub Solution Control Group (014212- ) . . . . .	2-128
Fig. 26 - Engine Radiator and Hydraulic Cooler Group (012180-013227) . . . . .	2-52	Fig. 64 - Scrub Solution Tank Group . . . . .	2-130
Fig. 27 - Engine Radiator and Hydraulic Cooler Group (013228- ) . . . . .	2-54	Fig. 65 - Scrub Recovery Tank Group . . . . .	2-132
Fig. 28 - Engine Radiator Housing and Fan Motor Group (000000-014999) . . . . .	2-56	Fig. 66 - Scrub Solution and Recovery Tank Drain Group . . . . .	2-134
Fig. 29 - Engine Radiator Housing and Fan Motor Group (015000- ) . . . . .	2-58	Fig. 67 - FaST Solution Pump Group (014215- ) . . . . .	2-136
Fig. 30 - Engine Radiator Hose and Hydraulic Filter Group (012180-013227) . . . . .	2-60	Fig. 68 - FaST Air Pump and Detergent Group (014215- ) . . . . .	2-138
Fig. 31 - Engine Radiator Hose and Hydraulic Filter Group (013228- ) . . . . .	2-62	Fig. 69 - FaST Foam Filter Group (014215- ) . . . . .	2-140
Fig. 32 - Engine Battery Group . . . . .	2-64	Fig. 70 - FaST Electrical Group (014215- ) . . . . .	2-142
Fig. 33 - Wheel Group, Rear Drive . . . . .	2-66	Fig. 71 - Vacuum Fan Group, Scrubber . . . . .	2-146
Fig. 34 - Wheels and Brakes Group, Front . . . . .	2-68	Fig. 72 - Steering Group . . . . .	2-148
Fig. 35 - Brake Pedals Group . . . . .	2-70	Fig. 73 - Electrical Instrument Panel Assembly Main Group . . . . .	2-150
Fig. 36 - Directional Control Group (000000-013227) . . . . .	2-72	Fig. 74 - Electrical Instrument Panel Auxiliary Group . . . . .	2-152
Fig. 37 - Directional Control Group (013228- ) . . . . .	2-74	Fig. 75 - Electrical Circuit Breaker and Relay Group . . . . .	2-154
Fig. 38 - Hydraulic Pumps Group (000000-013227) . . . . .	2-76		

# STANDARD PARTS

---

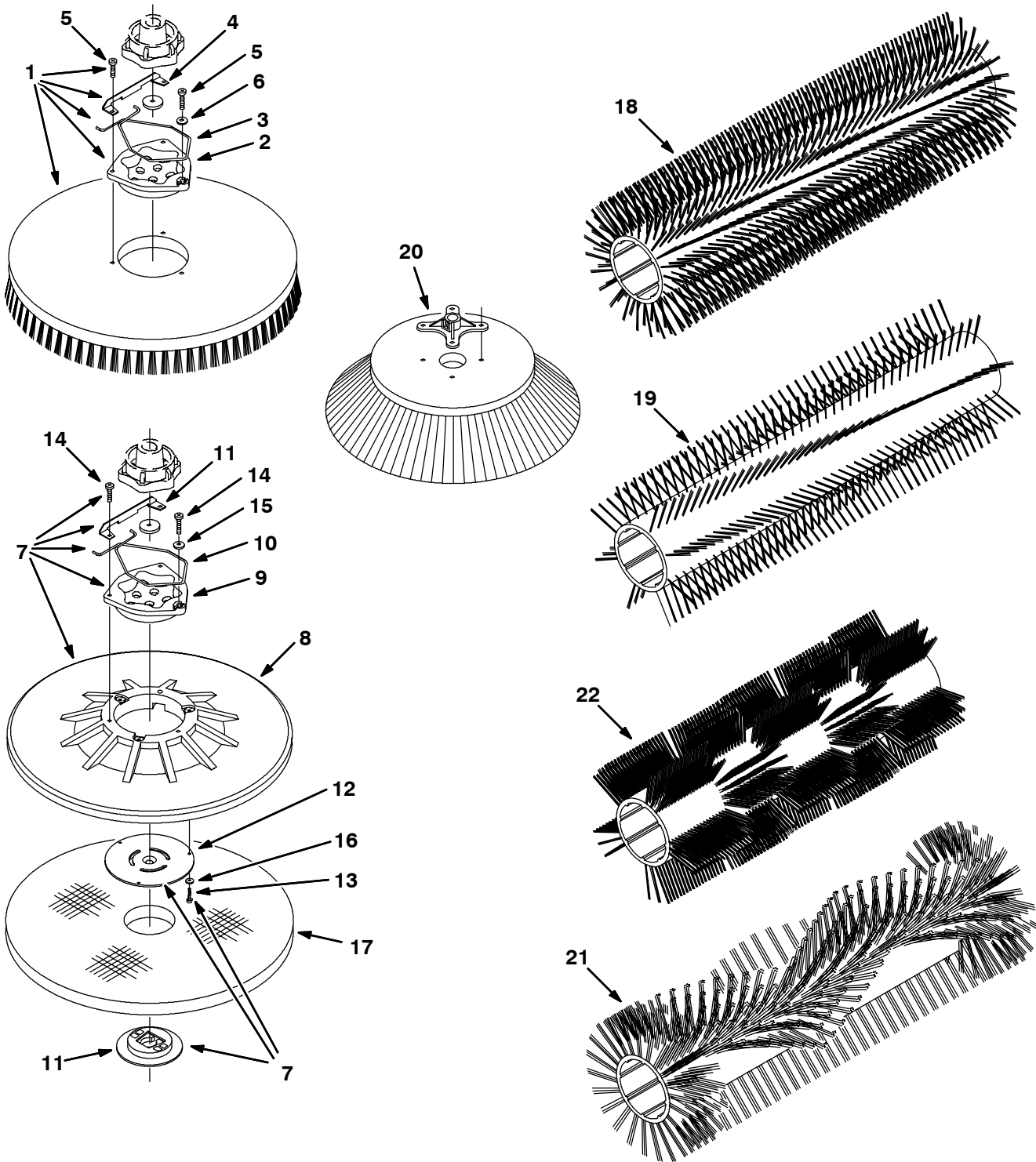
<b>Contents</b>	<b>Page</b>
Fig. 76 - Electrical Schematic (000000-014214)	2-156
Fig. 77 - Electrical Schematic (014215- )	2-160
Fig. 78 - Wire Harnesses Group . . . . .	2-164
Fig. 78 - Wire Harnesses Group . . . . .	2-172
Fig. 79 - Label Group . . . . .	2-173



Fig. 1 - General Recommended Maintenance Items

Ref.	Part No.	Serial Number	Description	Qty.
▽	72067	(000000-	) Maint. Kit, Skirts, 355 Line	1
▲	59687	(000000-	) Seal, Door, Dump, Side	2
▲	59688	(000000-	) Strap, Door, Dump, Side	2
▲	55864	(000000-	) Cord, Sponge	1
▲	59685	(000000-	) Seal, Door, Dump	1
▲	59686	(000000-	) Strap, Door, Dump	1
▽	72068	(000000-	) Maint. Kit, Seals 355 Line	1
▲	59680	(000000-	) Skirt, Lip	1
▲	59681	(000000-	) Skirt, Lip	1
▲	55890	(000000-	) Strap, Main Lip	1
▲	54089	(000000-	) Skirt, Side, Sbdc,	1
▲	54013	(000000-	) Plate, Retainer	1
▲	54014	(000000-	) Plate, Retainer, Front	1
▽	79283	(000000-	) Performance Pkg 400Hr Die 8400	1
▲	82693	(000000-	) Cartridge	1
▲	1017126	(000000-	) Element, Fltr, Fuel [Dn#p560380]	1
▲	65869-5	(000000-	) Oil, Hydr. 15/40	2
▲	65221	(000000-	) Element, Filter	1
	1021878	(014215-	) Detergent Pkg, 4 Liter, Sgl [Tco 665]	1

**Fig. 2 - Brushes, Replacement**



09058 - 8410

Ref.	Part No.	Serial Number	Description	Qty.
▽	1	05725	(000000- ) Brush Assy, Disk, Scb, 16.0 D, H.D. Polypropylene	3
▲	2	15539	(000000- ) Hub, Drive, Brush, Disk, 3hole 5.8bc[6t]	1
▲	3	14838	(000000- ) Spring, Wir, 0.16d, Brush Retaining	1
▲	4	24299	(000000- ) Bracket, Retainer, Spring	1
▲	5	32746	(000000- ) Screw, Pan, M6 X 1.0 X 35, Ss	3
▲	6	01684	(000000- ) Washer, Flat, 0.25, Ss	1

Fig. 2 - Brushes, Replacement

Ref.	Part No.	Serial Number	Description	Qty.
▽	1	05724	(000000- ) Brush Assy, Disk, Scb, 16.0 D, Soft Nylon	3
▲	2	15539	(000000- ) Hub, Drive, Brush, Disk, 3hole 5.8bc[6t]	1
▲	3	14838	(000000- ) Spring, Wir, 0.16d, Brush Retaining	1
▲	4	24299	(000000- ) Bracket, Retainer, Spring	1
▲	5	32746	(000000- ) Screw, Pan, M6 X 1.0 X 35, Ss	3
▲	6	01684	(000000- ) Washer, Flat, 0.25, Ss	1
▽	1	05726	(000000- ) Brush Assy, Disk, Scb, 16.0d, Super Abrasive	3
▲	2	15539	(000000- ) Hub, Drive, Brush, Disk, 3hole 5.8bc[6t]	1
▲	3	14838	(000000- ) Spring, Wir, 0.16d, Brush Retaining	1
▲	4	24299	(000000- ) Bracket, Retainer, Spring	1
▲	5	32746	(000000- ) Screw, Pan, M6 X 1.0 X 35, Ss	3
▲	6	01684	(000000- ) Washer, Flat, 0.25, Ss	1
▽	1	05036	(000000- ) Brush Assy, Disk, Scb, 16.0 D, Bassine 500	3
▲	2	15539	(000000- ) Hub, Drive, Brush, Disk, 3hole 5.8bc[6t]	1
▲	3	14838	(000000- ) Spring, Wir, 0.16d, Brush Retaining	1
▲	4	24299	(000000- ) Bracket, Retainer, Spring	1
▲	5	32746	(000000- ) Screw, Pan, M6 X 1.0 X 35, Ss	3
▲	6	01684	(000000- ) Washer, Flat, 0.25, Ss	1
▽	1	30241	(000000- ) Brush Assy, Disk, Scb, 16.0d, Polypropylene	3
▲	2	15539	(000000- ) Hub, Drive, Brush, Disk, 3hole 5.8bc[6t]	1
▲	3	14838	(000000- ) Spring, Wir, 0.16d, Brush Retaining	1
▲	4	24299	(000000- ) Bracket, Retainer, Spring	1
▲	5	32746	(000000- ) Screw, Pan, M6 X 1.0 X 35, Ss	3
▲	6	01684	(000000- ) Washer, Flat, 0.25, Ss	1
▽	7	370016	(000000- ) Disk Assy, Pad Drive, 16d Rep.By397916	3
▲	8	370076	(000000- ) Disk, Pad Drive,W/Face,16d Rep.By397976	1
▲	9	15539	(000000- ) Hub, Drive, Brush, Disk, 3hole 5.8bc[6t]	1
▲	10	14838	(000000- ) Spring, Wir, 0.16d, Brush Retaining	1
▲	11	24299	(000000- ) Bracket, Retainer, Spring	1
▲	12	370090	(000000- ) Retainer, Centering, Pad Rep.By370095	1
▲	13	09198	(000000- ) Screw, Pan, M4 X 0.7 X 35, Ss	3
▲	14	32746	(000000- ) Screw, Pan, M6 X 1.0 X 35, Ss	3
▲	15	01684	(000000- ) Washer, Flat, 0.25, Ss	1
▲	16	41579	(000000- ) Washer, Flat, #08, Ss	3
▲	17	370092	(000000- ) Pad, Stripping, 16.0d [Hi Prod 1pad=1pc]	3
	17	63248-1	(000000- ) Pad, Stripping, 16.0d, Brown [1pad=1pc]	3
	17	63248-2	(000000- ) Pad, Scb, 16.0d, Blu [1pad=1pc]	3
	17	63248-3	(000000- ) Pad, Buff, 16.0d, Red	3
	17	63248-4	(000000- ) Pad, Polish, 16.0d, White [1pad=1pc]	3
	18	54922	(000000- ) Brush, Swp, Nylon	1
	18	54927	(000000- ) Brush, Swp, Union mix Wire	1
	19	54923	(000000- ) Brush, Swp, Nylon	1
	19	54925	(000000- ) Brush, Swp, Polypropylene & Wire	1
	19	66018	(000000- ) Brush, Swp, Patrol, Nylon	1
	19	66019	(000000- ) Brush, Swp, Polypropylene	1
	19	59440	(000000- ) Brush, Swp, Wire	1
	19	69963	(000000- ) Brush, Swp, Polypropylene & Wire	1
	20	59431	(000000- ) Brush, Disk, Swp, Polypropylene	1
	20	59432	(000000- ) Brush, Disk, Swp, Flat Wire	1
	20	08013N	(000000- ) Brush, Disk, Swp, Nylon	1
	21	370008	(000000- ) Brush, Swp, 45l, Wedge, Polypropylene	1
	22	370009	(000000- ) Brush, Swp, 45l, Wndw, Polypropylene	1

Fig. 3 - Main Frame And Skirt Group

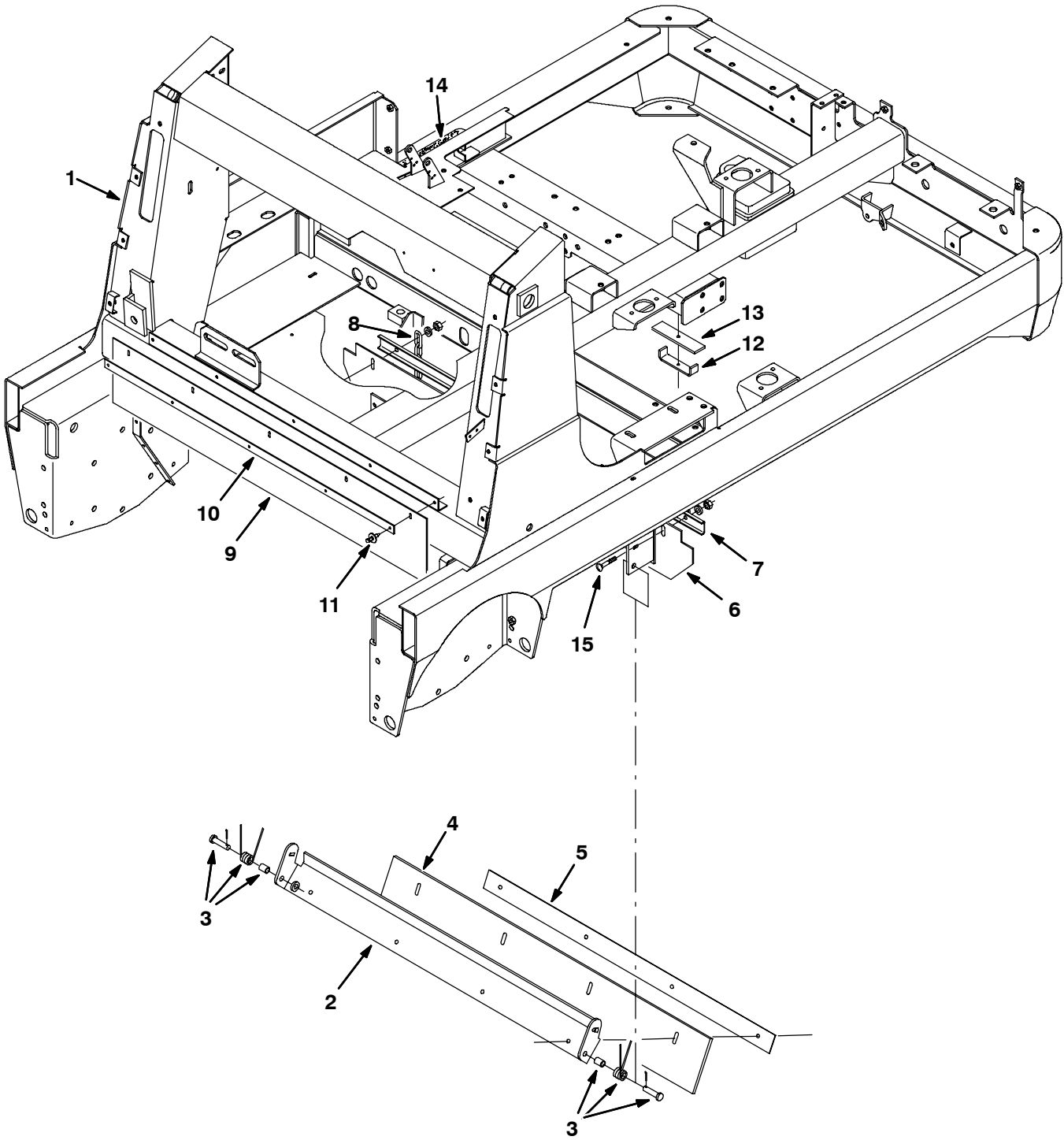


Fig. 3 - Main Frame And Skirt Group

Ref.	Part No.	Serial Number	Description	Qty.
1	83725	(000000-	) Frame Wldt	1
2	54182	(000000-	) Bracket, Flap, Recirculation	1
3	69904	(000000-	) Spring Assy, Recirculation	1
4	54190	(000000-	) Blade, Deflector	1
5	54184	(000000-	) Strip, Retainer, Seal	1
6	54197	(000000-	) Skirt, Seal Main Brush	1
7	54192	(000000-	) Channel, Retainer, Seal, Rear	1
8	09342	(000000-	) Chain, Link#2/0, 5 Links Plain	1
9	56872	(000000-	) Skirt,Hoppertop	1
10	56890	(000000-	) Strap, Backing Hopper	1
11	72968	(000000-	) Rivet, Plastic .250X.898	5
12	77297	(000000-	) Bracket, Hose, Clamp Down	1
13	77298	(000000-	) Isolator, Rubber .25X1.50X6.00	1
14	82839	(000000-	) Pad, Tread	1
15	69915	(000000-	) Bolt, Carrm 8X1.25	4

Fig. 4 - Main Frame Left Brush Door Group

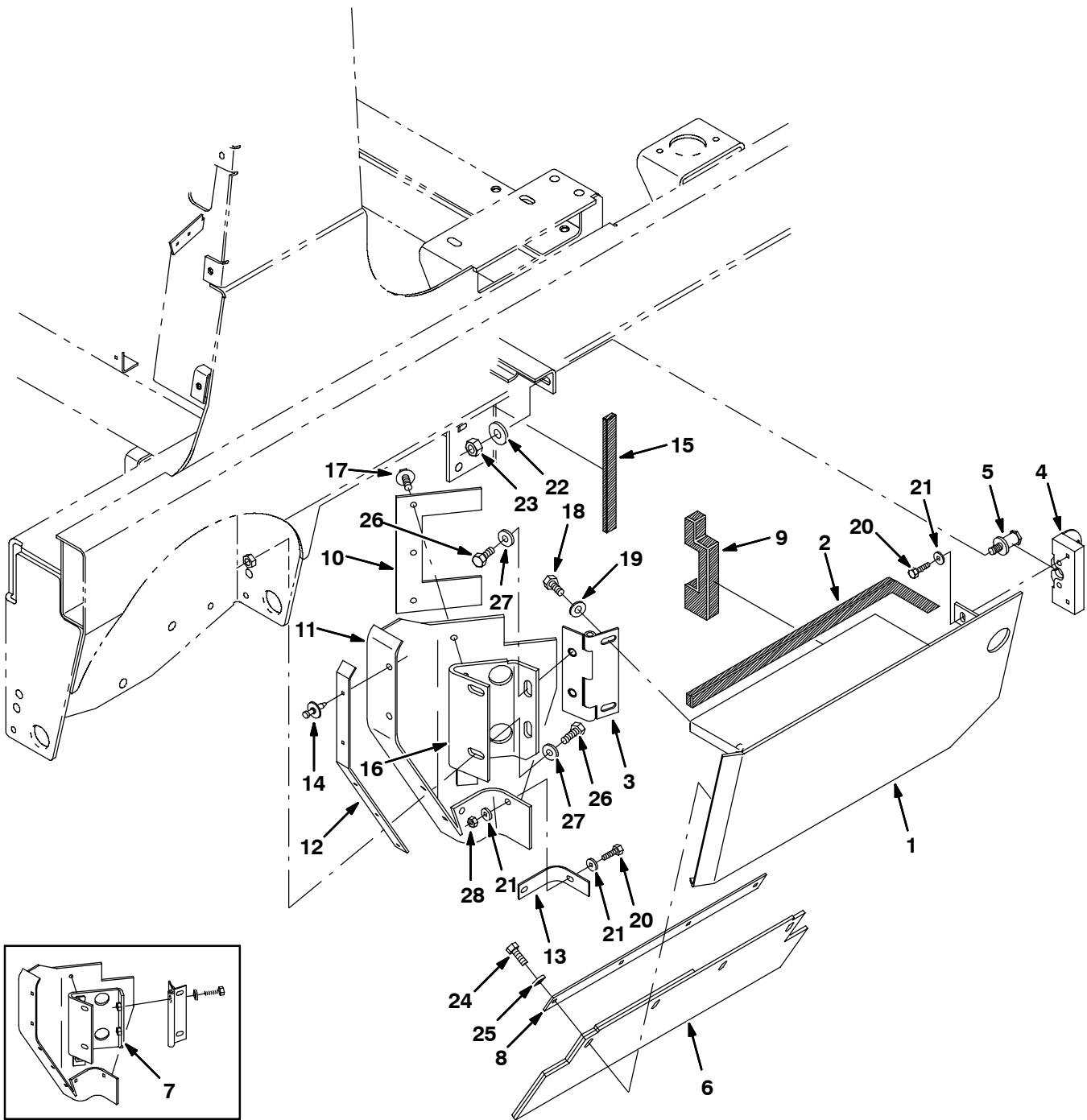


Fig. 4 - Main Frame Left Brush Door Group

Ref.	Part No.	Serial Number	Description	Qty.
1	72888	(000000-	) Door Wldt, Brush, Lh	1
2	69931	(000000-	) Seal, Foam Rubber	1
3	72120	(000000-	) Hinge, Door, Brush	1
4	59514	(000000-	) Latch	1
5	59192	(000000-	) Latch, Bolt	1
6	70275	(000000-	) Skirt, Brushdoor	1
7	9001245	(000000-014164	) Bracket Kit, Door Hinge, Ci, Lh	1
8	55433	(000000-	) Strip, Retainer, Skirt	1
9	59538	(000000-	) Seal, Door, Brush	1
10	59692	(000000-	) Strap, Deflector	1
11	72069	(000000-	) Skirt, Deflection	2
12	56914	(000000-	) Strap	2
13	58770	(000000-	) Strip, Retainer	2
14	72968	(000000-	) Rivet, Plastic .250X.898	5
15	375410	(000000-	) Seal, Foam Rubber	1
16	1020530	(014165-	) Bracket, Mtg, Hinge, Lh	1
17	76099	(014165-	) Screw, Hex, M8 X 1.25 X 25, Fmg	3
18	09291	(014165-	) Screw, Hex, M10 X 1.5 X 20, Ss	2
19	01686	(014165-	) Washer, Flat, 0.44b 1.00 .08, Ss	2
20	09007	(014165-	) Screw, Hex, M6 X 1.0 X 25, Ss	4
21	01684	(014165-	) Washer, Flat, 0.25 Ss	6
22	41619	(014165-	) Washer, Flat, 0.56b 1.38d .11, Ss	1
23	07788	(014165-	) Nut, Hex, Std, M12 X 1.75, Ss	1
24	09010	(014165-	) Screw, Hex, M8 X 1.25 X 25, Ss	4
25	01685	(014165-	) Washer, Flat, 0.31 Ss	4
26	09028	(014165-	) Screw, Hex, M10 X 1.5 X 25, Ss	4
27	01686	(014165-	) Washer, Flat, 0.44b 1.00 .08, Ss	4
28	08712	(014165-	) Nut, Hex, Lock, M6 X 1.0, Ss, NI	2

**Fig. 5 - Main Frame Right Brush Door Group**

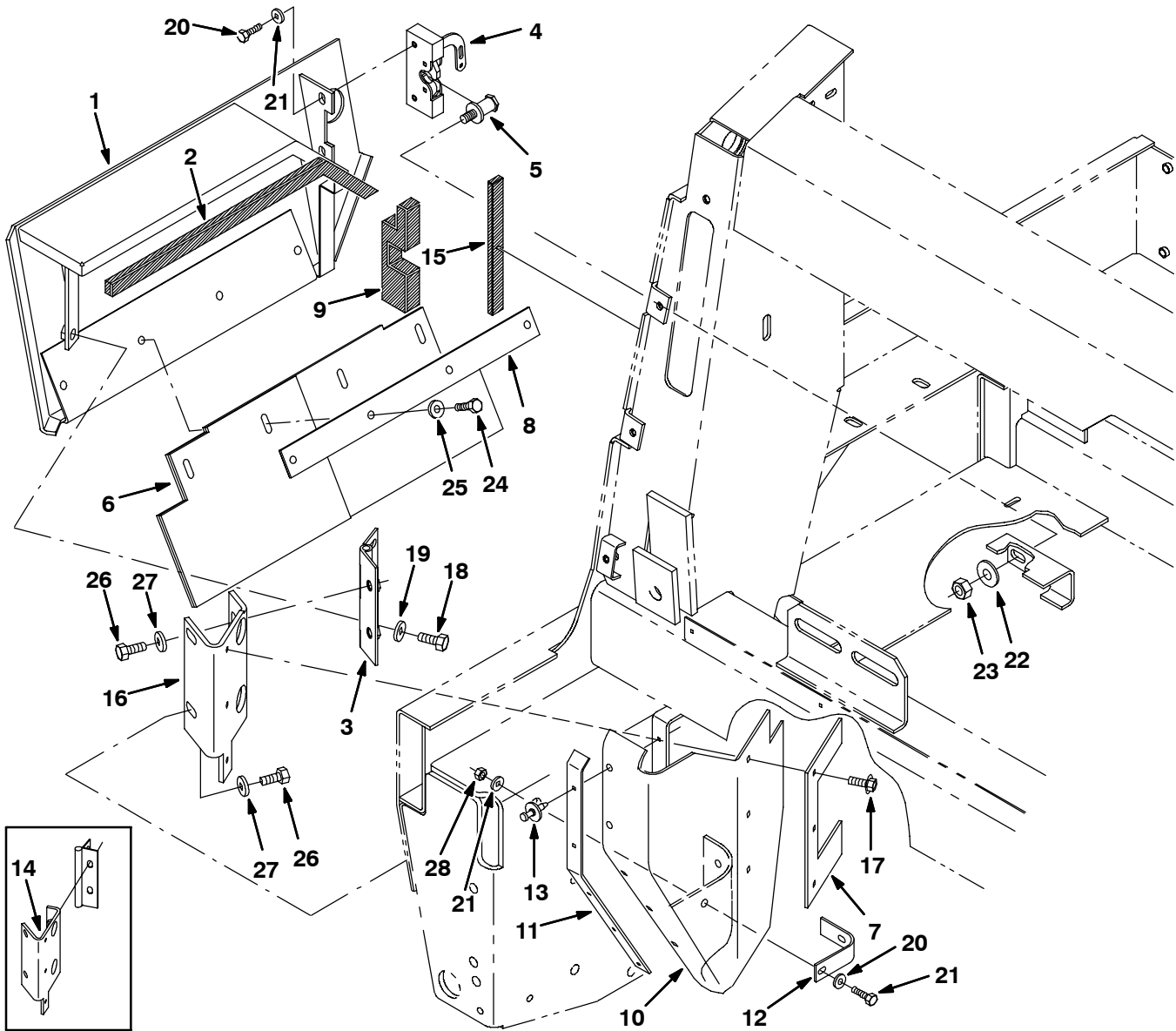




Fig. 5 - Main Frame Right Brush Door Group

Ref.	Part No.	Serial Number	Description	Qty.
1	72887	(000000-	) Door Wldt, Brush, Rh	1
2	69931	(000000-	) Seal, Foam Rubber	1
3	72120	(000000-	) Hinge, Door, Brush	1
4	72884	(000000-	) Latch, Hook	1
5	59192	(000000-	) Latch, Bolt	1
6	70276	(000000-	) Skirt, Brushdoor	1
7	59692	(000000-	) Strap, Deflector	1
8	55433	(000000-	) Strip, Retainer, Skirt	1
9	59537	(000000-	) Seal, Door, Brush	1
10	72069	(000000-	) Skirt, Deflection	1
11	56914	(000000-	) Strap	1
12	58770	(000000-	) Strip, Retainer	2
13	72968	(000000-	) Rivet, Plastic .250X.898	5
14	9001246	(000000-014164	) Bracket Kit, Door Hinge, Ci, Rh	1
15	375410	(000000-	) Seal, Foam Rubber	1
16	1019481	(014165-	) Bracket, Mtg, Hinge, Rh	1
17	76099	(014165-	) Screw, Hex, M8 X 1.25 X 25, Fmg	3
18	09291	(014165-	) Screw, Hex, M10 X 1.5 X 20, Ss	2
19	01686	(014165-	) Washer, Flat, 0.44b 1.00 .08, Ss	2
20	09007	(014165-	) Screw, Hex, M6 X 1.0 X 25, Ss	4
21	01684	(014165-	) Washer, Flat, 0.25 Ss	6
22	41619	(014165-	) Washer, Flat, 0.56b 1.38d .11, Ss	1
23	07788	(014165-	) Nut, Hex, Std, M12 X 1.75, Ss	1
24	09010	(014165-	) Screw, Hex, M8 X 1.25 X 25, Ss	4
25	01685	(014165-	) Washer, Flat, 0.31 Ss	4
26	09028	(014165-	) Screw, Hex, M10 X 1.5 X 25, Ss	4
27	01686	(014165-	) Washer, Flat, 0.44b 1.00 .08, Ss	4
28	08712	(014165-	) Nut, Hex, Lock, M6 X 1.0, Ss, NI	2

Fig. 6 - Main Frame Seat and Shroud Group

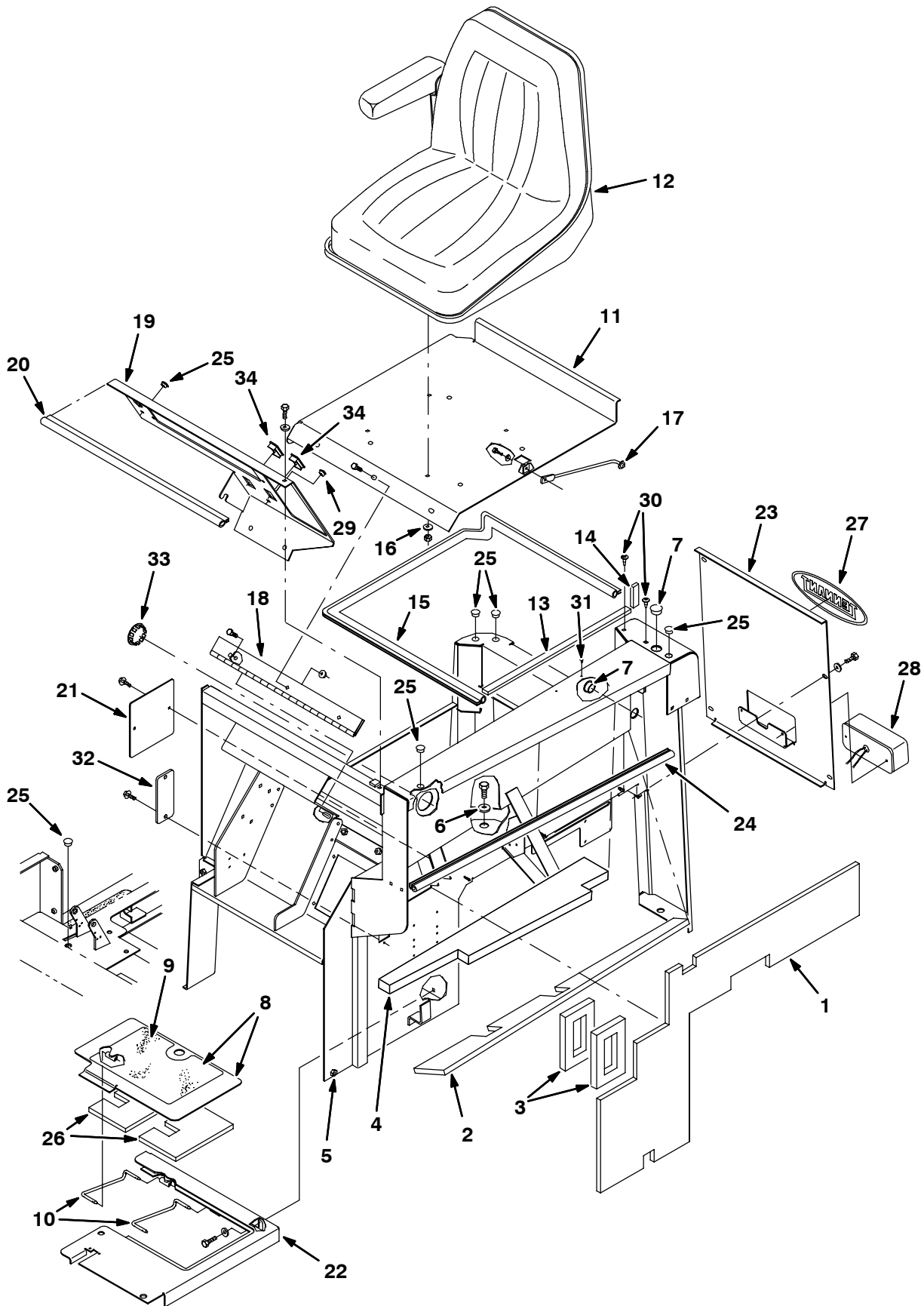


Fig. 6 - Main Frame Seat and Shroud Group

Ref.	Part No.	Serial Number	Description	Qty.	
1	84048	(000000-	) Insulation, Acoustic	1	
2	84049	(000000-	) Insulation Acoustic	1	
3	22775	(000000-	) Insulation, Acoustic .75Thk Ec	2	
4	84050	(000000-	) Insulation Acoustic	1	
5	84109	(000000-	) Operator Station, Die W/Label	1	
6	13248	(000000-	) Washer .400B 1.12D .12Cr Znc	1	
7	01493	(000000-	) Plugbtn 1.00H .03-.12 Blacknyl	2	
▽	8	84098	(000000-	) Cover, Battery W/Tread	1
▲	9	32270	(000000-	) Tread,Floor-Nonskid	1
10	77211	(000000-	) Rod, Hinge	2	
11	83772	(000000-	) Plate, Seat	1	
▽	12	77235	(000000-	) Seat, Michigan	1
▲		369810	(000000-	) Kit, Replacement, Armrest	1
▲		388134	(000000-	) Armrest, Molded	1
13	78855	(000000-	) Seal, Seat, Inner	1	
14	84040	(000000-	) Seal, Ure .50 X .75 X 2.5L	1	
15	84039	(000000-	) Seal, Bulb, Sd-0106 65.00 Lg	1	
16	41186	(000000-	) Washer-Belleville .31 Pltd	4	
17	54615	(000000-	) Rod, Seat	1	
18	75272	(000000-	) Hinge, Seat	1	
19	1022388	(000000-	) Panel, Instmt, Upper, [8410]	1	
20	84041	(000000-	) Seal, Bulb, Sd-0168 25.00 Lg	1	
21	83822	(000000-	) Cover, Linkage, Brush Pressure, Ce	1	
22	10620	(000000-	) Plate Wldt, Floor	1	
23	10642	(000000-	) Door, Rear, Rh	1	
24	83842	(000000-	) Seal, Bulb, Sd-0106 36.10 Lg	1	
25	01314	(000000-	) Plugbtn .38H .03-.12 Blacknyl	6	
26	72814	(000000-	) Insulation, Acoustic	2	
27	09806	(000000-	) Label, Tennant Logo	1	
84030	▽	<del>28 59949</del>	(000000-	) Taillight	1
▲		<del>45780</del>	( <del>000000-</del>	) <del>Bulb, 12V .5A 4Cp #1157</del>	<del>1</del>
29	56992	(000000-	) Plugbtn .50H .03-.12 Blacknyl	1	
30	72970	(000000-	) Rivet, Plastic .250Dx.898	2	
31	02731	(000000-	) Canoe Clip	2	
32	22746	(000000-	) Pane, Plstc	1	
33	47178-6	(014215-	) Button, Plug, 2.00h .04-.19 [Chm Stl]	1	
34	762521	(014215-	) Plug, Panl, Switch	2	

Fig. 7 - Main Frame Engine Side Door and Cover Group

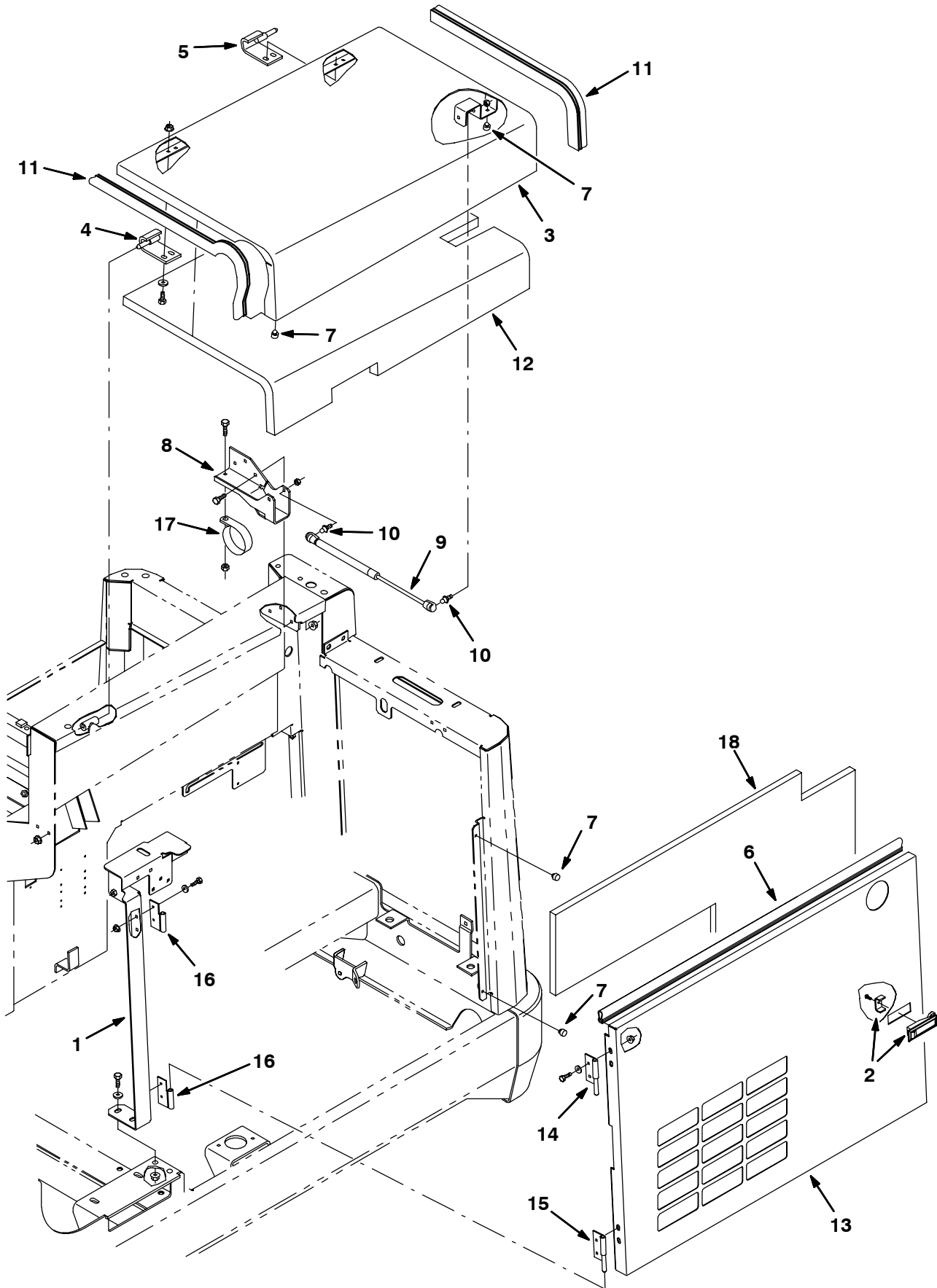


Fig. 7 - Main Frame Engine Side Door and Cover Group

Ref.	Part No.	Serial Number	Description	Qty.
1	84065	(000000-	) Angle Wldt, Panel	1
2	64533	(000000-	) Latch, Trigger	1
3	83827	(000000-	) Cover Wldt, Engine, Top	1
4	83816	(000000-	) Hinge Wldt, W/Pin Engine Cover	1
5	83839	(000000-	) Hinge Wldt, W/Pin Engine Cover	1
6	83843	(000000-	) Seal, Bulb, Sd-0504 40.25 Lg	1
7	51787	(000000-	) Bumper, Rubber	4
8	83856	(000000-	) Bracket, Mtg, Gas Spring	1
9	84018	(000000-	) Spring-Gas 90Lb 5.98Stroke	1
10	58494	(000000-	) Stud, Ball, Gas Spring	2
11	84035	(000000-	) Seal, Bulb, Sd-0504 27.12 Lg	2
12	83873	(000000-	) Insulation, S/Foam	1
13	1013944	(000000-	) Door, Eng, Side	1
14	70628	(000000-	) Hinge, W/Pin	1
15	64543	(000000-	) Hinge, W/Pin	1
16	64545	(000000-	) Hinge	2
17	34312	(000000-	) Clamp, Loop, 3.0 I.D.	1
18	1014136	(000000-	) Insulation, Acstc, 0.8 27.6w 40.7l	1

Fig. 8 - Main Frame Tank Panel Group

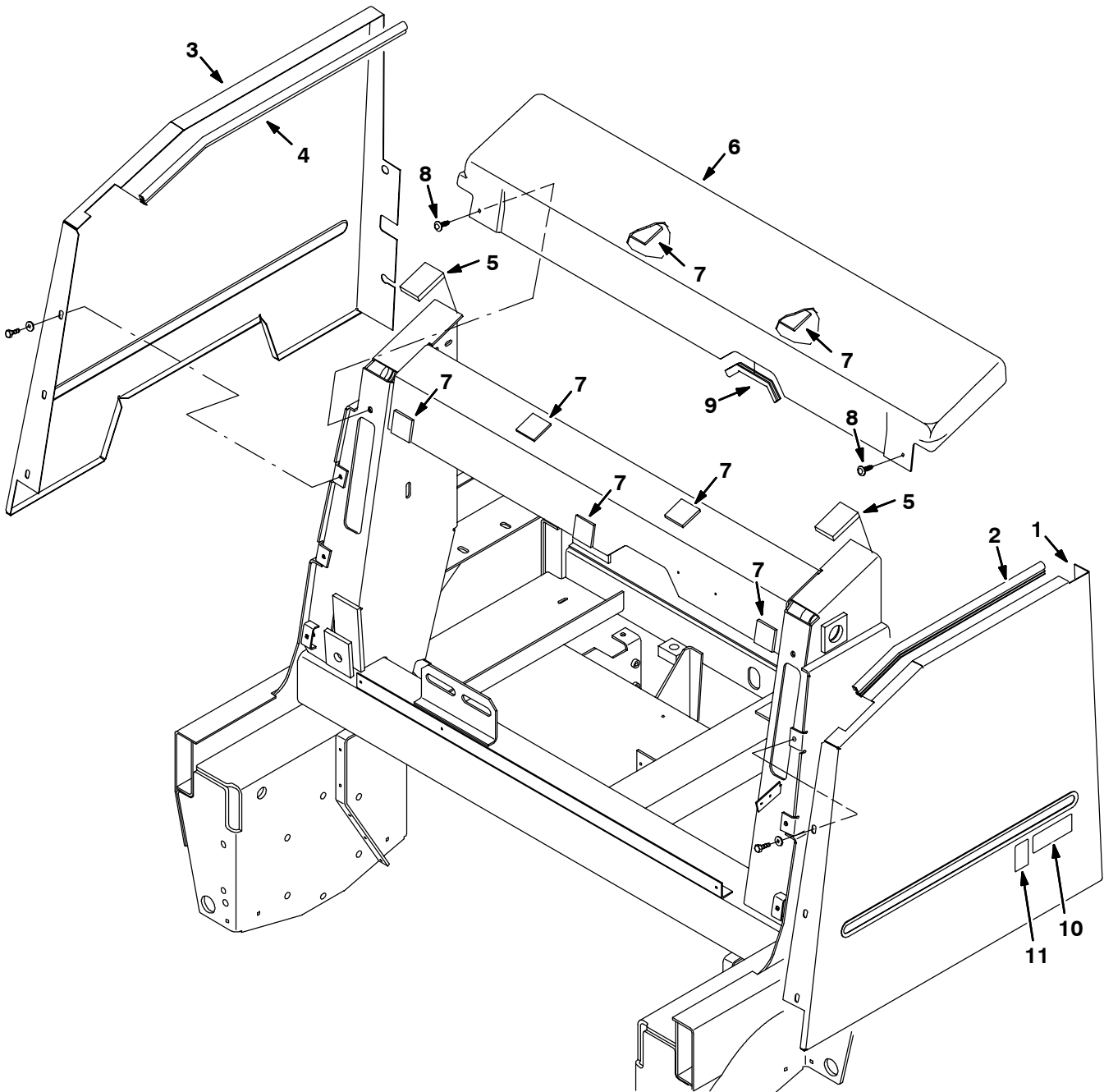


Fig. 8 - Main Frame Tank Panel Group

Ref.	Part No.	Serial Number	Description	Qty.
1	83775	(000000-	) Panel, Lh	1
2	84038	(000000-	) Seal, Bulb, Sd-0504 21.25 Lg	1
3	83778	(000000-	) Panel, Rh	1
4	84037	(000000-	) Seal, Bulb, Sd-0504 29.50 Lg	2
5	72824	(000000-	) Insulation, Acoustic	1
▽	6	84100	(000000-) Cover, Lintel 8410 W/Fasteners	1
▲	7	83979	(000000-) Fastener, Velcro 2.0W 2L T400	7
	8	84086	(000000-) Clip, Christmas Tree	2
	9	62595-16	(000000-) Molding, Trim 11-14Ga 8.50	1
	10	1005416	(014215-) Label, Fast	1
	11	1015012	(014215-) Label [Nfsi Certification]	1

Fig. 9 - Hopper Lift Arms Group

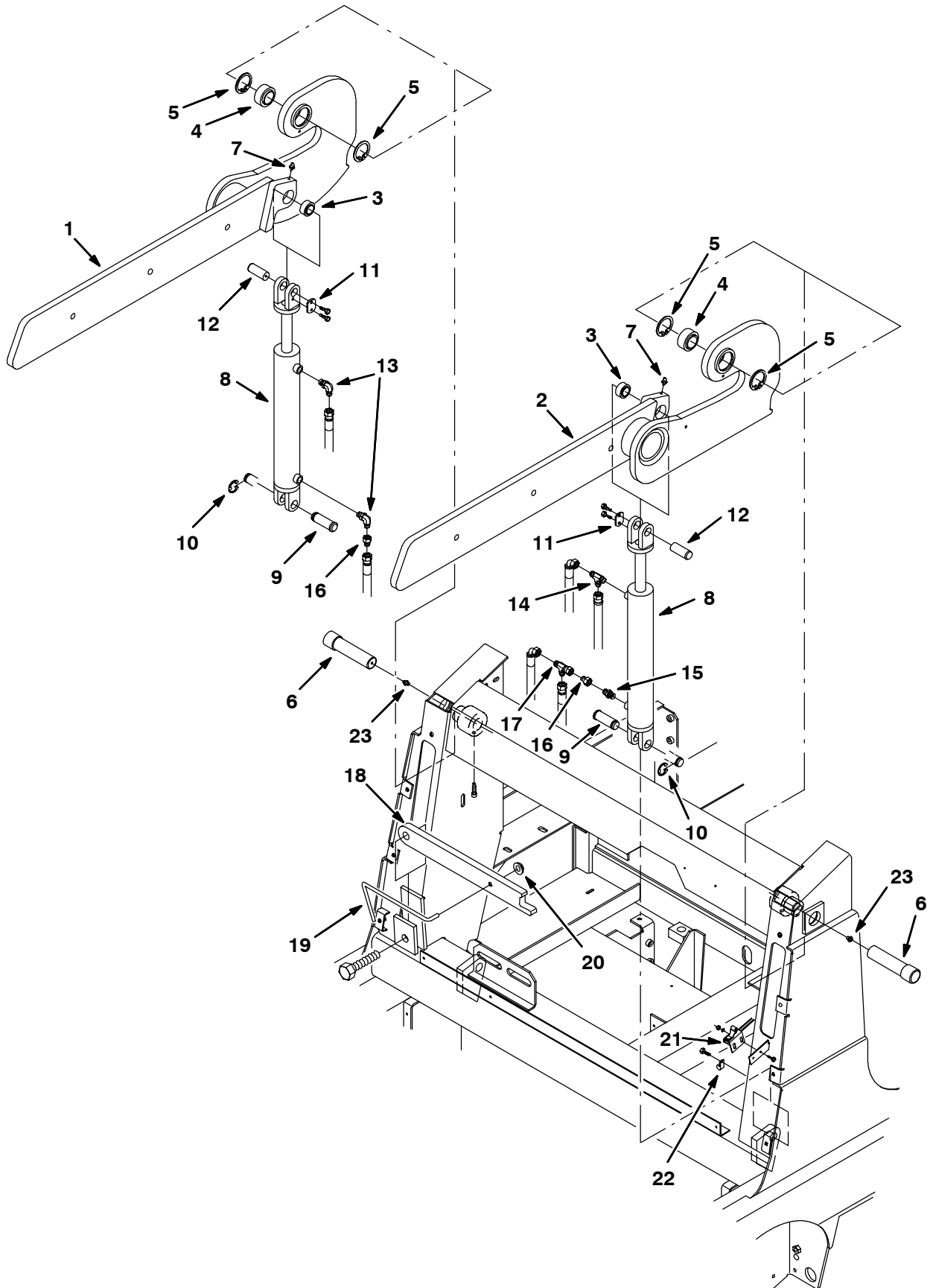




Fig. 9 - Hopper Lift Arms Group

Ref.	Part No.	Serial Number	Description	Qty.
1	78906	(000000-	) Arm Assy, Lift, Rh W/Label	1
2	78907	(000000-	) Arm Assy, Lift, Lh W/Label	1
3	73302	(000000-	) Bearing, Self Align, Sealed	2
4	72895	(000000-	) Bearing, Self Align, Sealed	2
5	59542	(000000-	) Ring, Retaining, Intl 2.00Dia	4
6	73068	(000000-	) Pin, Lift Arm	2
7	07259	(000000-	) Ftg, Grease.25-28Th Strt .47L	4
8	379120	(000000-	) Cylinder, Hyd 2.0B 12.0S 2500	2
9	73077	(000000-	) Pin, Clevis, Grooved	2
10	72899	(000000-	) Ring, Retaining, Ext, .88 Dia	2
11	72897	(000000-	) Plate, Pin, Clevis, Upper	2
12	72898	(000000-	) Pin, Clevis, Upper	2
13	77097	(000000-	) Ftg-Hyd E90 Jm04/Om04	2
14	34390	(000000-	) Ftg-Hyd Tee Jm04Jmom	1
15	55586	(000000-	) Ftg-Hyd Str Jm04/Om04	1
16	16455	(000000-	) Ftg-Hyd Rst Jm04/.047	2
17	57988	(000000-	) Ftg-Hyd Tee Jm04Jmjf	1
18	78936	(000000-	) Arm Assy, Safety W/Label	1
19	72805	(000000-	) Handle, Arm, Safety	1
20	59849	(000000-	) Nut, Retainer R/.312 Dia	1
21	59965	(000000-	) Switch, Roller	1
22	46236	(000000-	) Clamp-Cable	1
23	09718	(000000-	) Ftg, Grease.25-28Th 90 .75L	2

Fig. 10 - Hopper and Dump Door Group

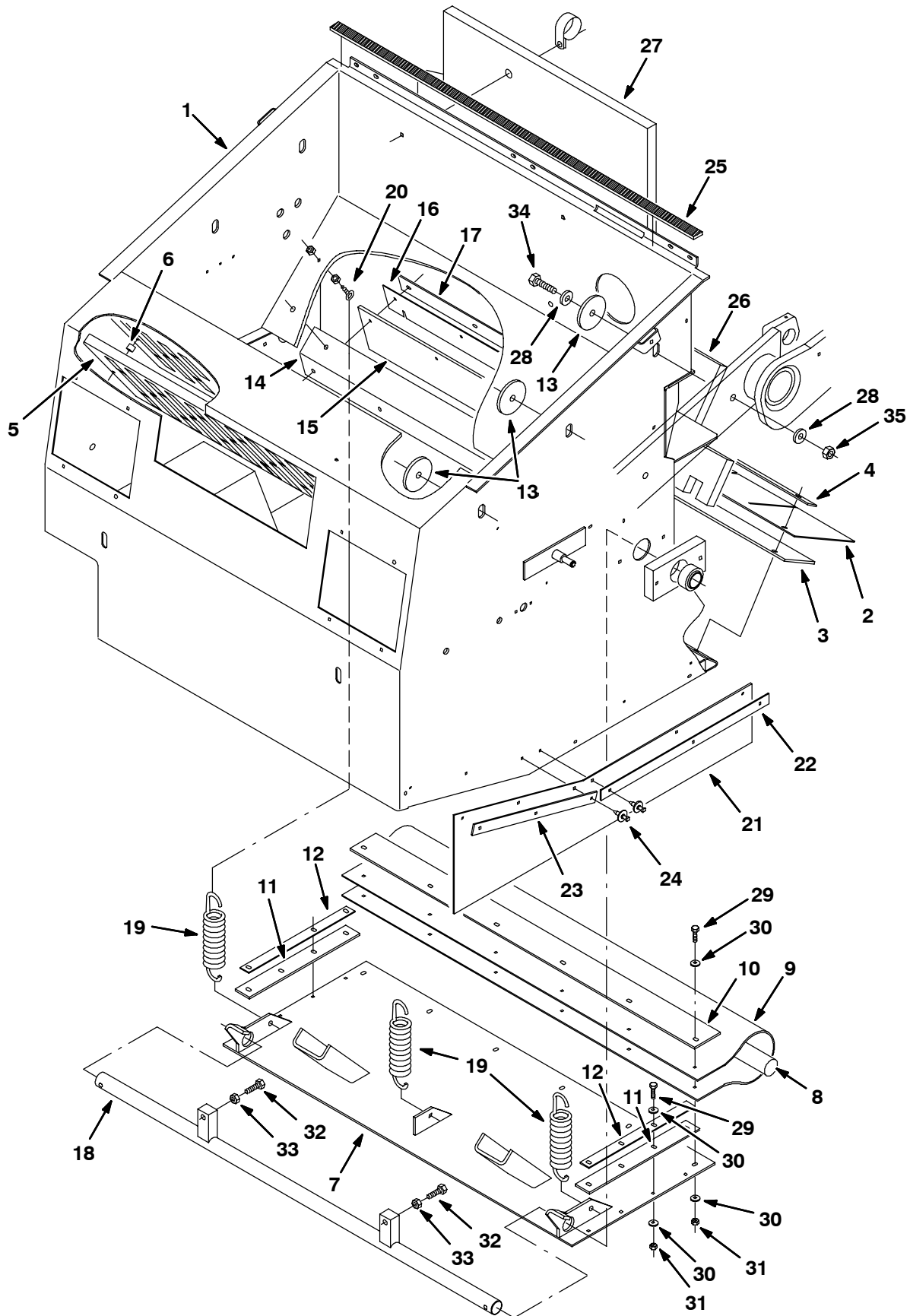


Fig. 10 - Hopper and Dump Door Group

Ref.	Part No.	Serial Number	Description	Qty.
1	21211	(000000-	) Hopper Wldt	1
2	59680	(000000-	) Skirt, Lip	1
3	59681	(000000-	) Skirt, Lip	1
4	55890	(000000-	) Strap, Main Lip	1
5	55021	(000000-	) Panel, Perma-Filter	1
6	82483	(000000-	) Tube,Spacer,.41Dx.32Bx1.OI	2
7	374507	(000000-	) Door, Dump	1
8	55864	(000000-	) Cord, Sponge	1
9	59685	(000000-	) Seal, Door, Dump	1
10	59686	(000000-	) Strap, Door, Dump	1
11	59687	(000000-	) Seal, Door, Dump, Side	2
12	59688	(000000-	) Strap, Door, Dump, Side	2
13	72159	(000000-	) Washer, .562B 3.03D .25Hr.Znc	6
14	55879	(000000-	) Angle, Hopper	1
15	58103	(000000-	) Seal, Door, Hopper	1
16	59105	(000000-	) Seal, Door, Hopper	1
17	55884	(000000-	) Strap	1
18	55889	(000000-	) Rod Wldt, Pivot	1
19	55892	(000000-	) Spring, Tension	3
20	11893	(000000-	) Bolt-Eye, .25-20Zinc.56D 2.00L	3
21	54089	(000000-	) Skirt, Side, Sbdc,	1
22	54013	(000000-	) Plate, Retainer	1
23	54014	(000000-	) Plate, Retainer, Front	1
24	72968	(000000-	) Rivet, Plastic .250X.898	6
25	72071	(000000-	) Seal, Foam Rubber	1
26	72980	(000000-	) Insulation, Acoustic, Hopper,	1
27	72981	(000000-	) Insulation,Acoustic,Hopper,Upp	1
28	36328	(000000-	) Washer-Belleville .50 Pltd	12
29	09007	(000000-	) Screw, Hex, M6 X 1.0 X 25, Ss	14
30	32490	(000000-	) Washer, Flat, 0.25 Std	28
31	08708	(000000-	) Nut, Hex, Lock, M6 X 1.0, NI	14
32	33612	(000000-	) Screw, Hex, M10 X 1.25 X 35, 8.8	2
33	66185	(000000-	) Nut, Hex, Std, M10 X 1.25	2
34	73377	(000000-	) Screw, Hex, M12 X 1.75 X 60, 10.9	6
35	08711	(000000-	) Nut, Hex, Lock, M12 X 1.75,NI	6

**Fig. 11 - Hopper Hood and Bumper Group**

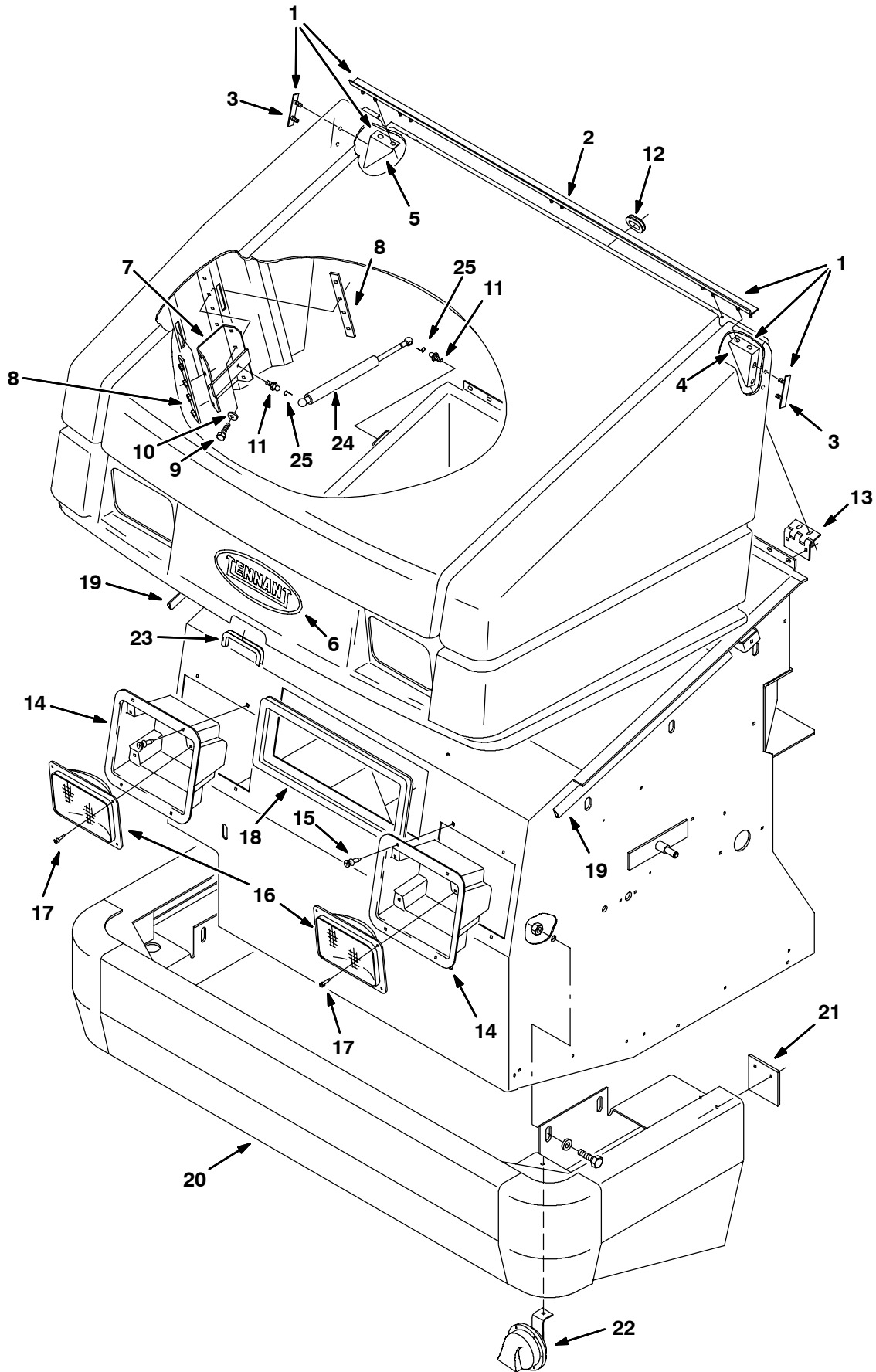


Fig. 11- Hopper Hood and Bumper Group

	Ref.	Part No.	Serial Number	Description	Qty.
▽	1	10688	(000000-	) Cover Assy, Hppr	1
▲	2	59442	(000000-	) Strip, Mtg	1
▲	3	59738	(000000-	) Strip, Mtg, Gusset	2
▲	4	59737	(000000-	) Bracket, Gusset, Corner, Lh	1
▲	5	59739	(000000-	) Bracket, Gusset, Corner, Rh	1
	6	17200	(000000-	) Label, Logo, Tennant, Oval, 254l,Blu/Grn	1
▽		70182	(000000-	) Bracket Kit, Spring, Replmt	1
▲	7	70185	(000000-	) Bracket Wldt, Spring, Gas, Hppr Cover	2
▲	8	70178	(000000-	) Plate Wldt, Backing	4
▲	9	12274	(000000-	) Screw, Hex, M6 X 1.0 X 20, 8.8, NI	2
▲	10	32490	(000000-	) Washer, Flat, 0.25 Std	4
	11	58494	(000000-	) Stud, Ball, .39d .31-16, Gasspring	4
	12	10632-1	(000000-	) Grommet, Rbr, 1.06id, F/1.4h, .19 Matl	1
	13	58500	(000000-	) Hinge, .25pin .13 2.7w 03.0l 4/H&S	3
	14	59004	(000000-	) Housing, Headlight, Hppr	2
	15	72971	(000000-	) Rivet, Plstc, .325d X 0.787	8
	16	58524	(000000-	) Headlight, 12vdc, 50watt [#70744]	2
	17	72969	(000000-	) Rivet, Plstc, .181d X 0.720	8
	18	74409	(000000-	) Seal, Lip, 90, 1.3w . Grip 050.0l	1
	19	77375	(000000-	) Duct, Vyl, 0.40 X 0.75 .25d 24.0l	2
	20	72065	(000000-	) Bumper Wldt, Front	1
	21	59448	(000000-	) Skirt, Neo, .25, 03.50w 03.50l, 02 Hole	2
	22	369704	(000000-	) Horn, 12vdc, Dba [Wolo]	1
	23	62595-6	(000000-	) Molding, Trim, Pvc, .08-.11 07.5l	1
	24	64535	(000000-	) Gasspring, 120lb, 7.1strk	2
	25	64595	(000000-	) Clip, Safety, Gasspring	4

Fig. 12 - Hopper Filter Box Group

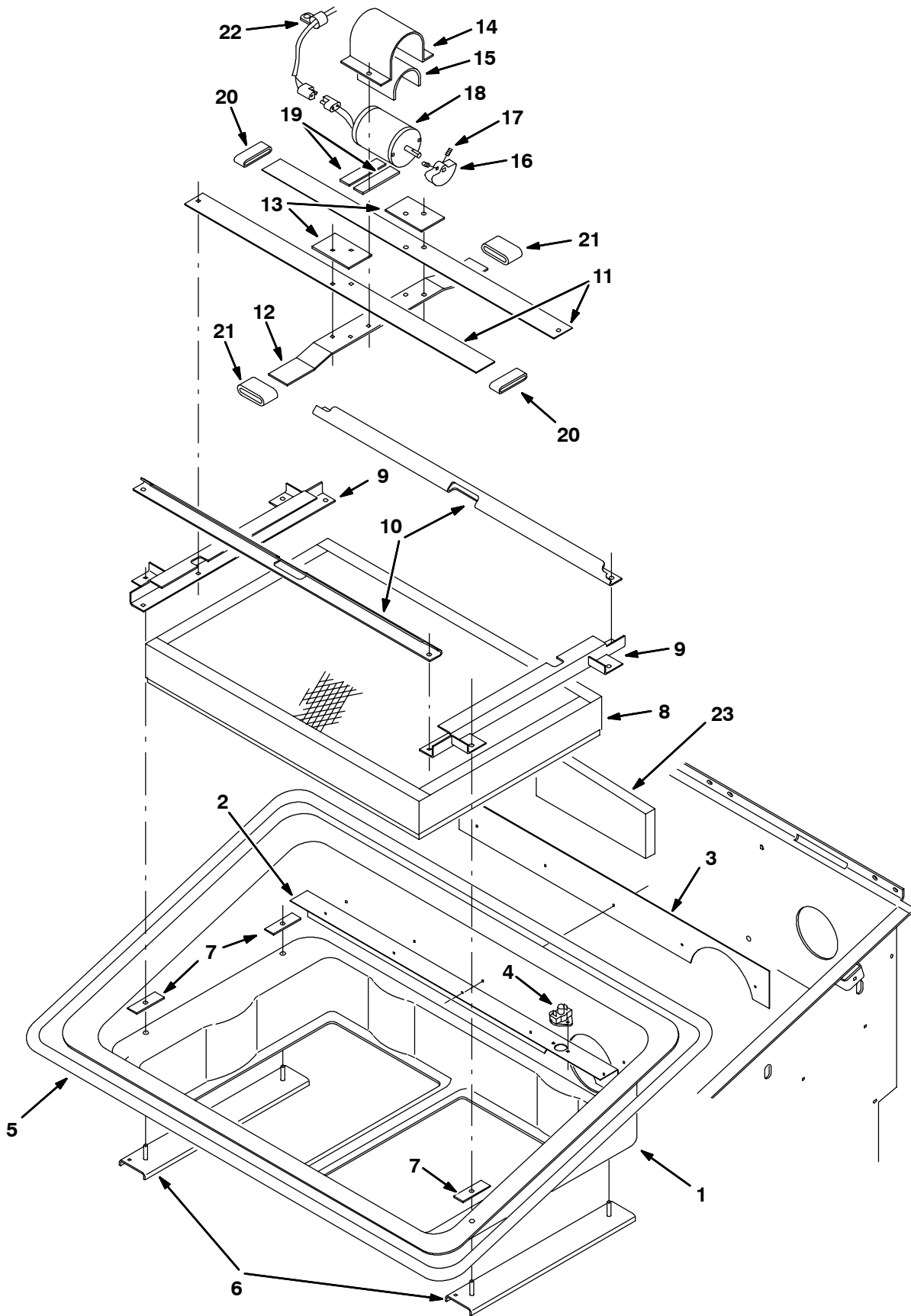


Fig. 12 - Hopper Filter Box Group

Ref.	Part No.	Serial Number	Description	Qty.
1	73323	(000000-	) Tray, Filter Carrier	1
2	73322	(000000-	) Angle, Stiffener, Tray, Filter	1
3	73321	(000000-	) Plate, Stiffener, Tray, Filter	1
4	02712	(000000-	) Thermostat Assembly, 140 Deg	1
5	79425	(000000-	) Seal, Bulb 140.0 Lg	1
6	73320	(000000-	) Plate, Mounting, Shaker Filter	4
7	56610	(000000-	) Plate	4
8	12962	(000000-	) Filter, PKG, Panel, 94 Pleats	1
9	59545	(000000-	) Bracket	2
10	53786	(000000-	) Bracket, Filter	2
11	58482	(000000-	) Spring, Shaker	2
12	58483	(000000-	) Bar, Shaker	1
13	82475	(000000-	) Bar, Shaker Spring	2
14	36666	(000000-	) Strap, Motor, Shaker	1
15	36658	(000000-	) Bar-Flt .06T 4.00W 5.00L, Rbr	1
16	55130	(000000-	) Weight, Eccentric	1
17	20634	(000000-	) Scr-Set 10-24X0.25 Nylon Loc	2
18	54121	(000000-	) Motor, Elec Shaker 12V	1
19	36661	(000000-	) Bar-Flt .06T 1.00W 4.00L, Rbr	2
20	36663	(000000-	) Sleeve, 1.12B 1.38D 1.00 Rubber	2
21	36665	(000000-	) Sleeve, 1.12B 1.62D 1.50 Rubber	2
22	46236	(000000-	) Clamp-Cable, 0.25D 0.56W Stl	1
23	59629	(012313-	) Insulation, Acoustic	1

Fig. 13 - Hopper Cylinder and Dust Door Group

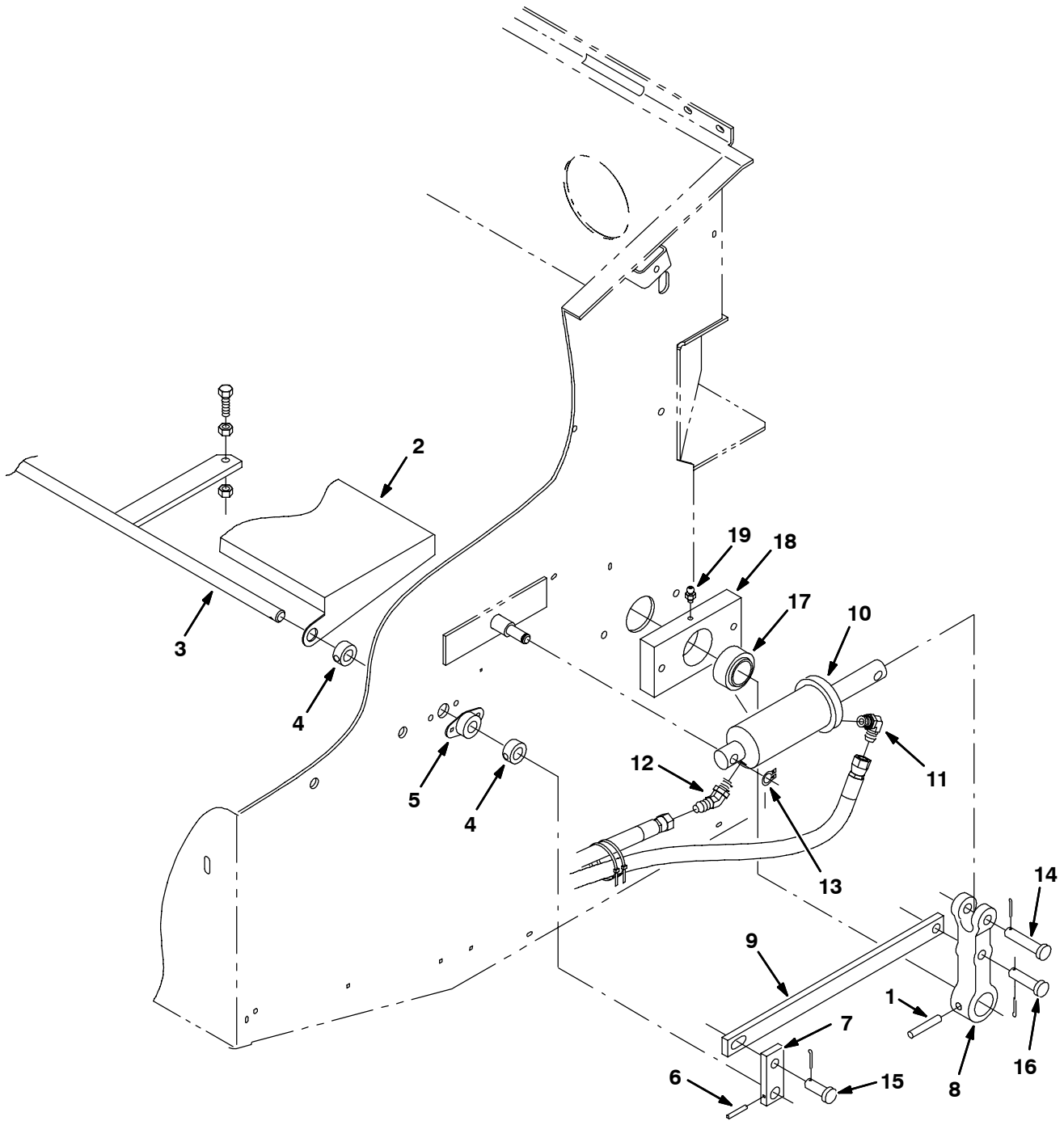




Fig. 13 - Hopper Cylinder and Dust Door Group

Ref.	Part No.	Serial Number	Description	Qty.
1	51317	(000000-	) Pin, Roll, .38Odx2.00L, .375/.382	2
2	53910	(000000-	) Door, Dust	1
3	53915	(000000-	) Rod	1
4	34725	(000000-	) Collar, Locking, Plated	4
5	34096	(000000-	) Bearing-Flange, 2 Hole .625Bore	2
6	26103	(000000-	) Pin, Roll, .18Odx1.25L, .187/.192	2
7	59966	(000000-	) Bar, Link	2
8	78787	(000000-	) Yoke, Pivot, Machining	2
9	55893	(000000-	) Bar, Link	2
10	54096	(000000-	) Cylinder-Hyd2.0X4.0Da2500Psi	2
11	77097	(000000-	) Ftg-Hyd E90 Jm04/Om04	2
12	34359	(000000-	) Ftg-Hyd E45 Jm04/Om04	2
13	23524	(000000-	) Ring, Retain, Ex, 0.50Od, Selflock	2
14	11211	(000000-	) Pin, Clevis .50 Dia X 2.25 Lg	2
15	58078	(000000-	) Pin, Clevis, .50 Dia X 1.25 Lg	2
16	51534	(000000-	) Pin, Clevis, 0.50 Dia X 2.00 Lg	2
17	42120-1	(000000-	) Bearing-Self Align 1.250 Bore	2
18	55914	(000000-	) Hub, Pivot	2
19	47801	(000000-	) Ftg, Grease.25-28Th Strt .63L	2

Fig. 14 - Hopper Solenoid Valve Group

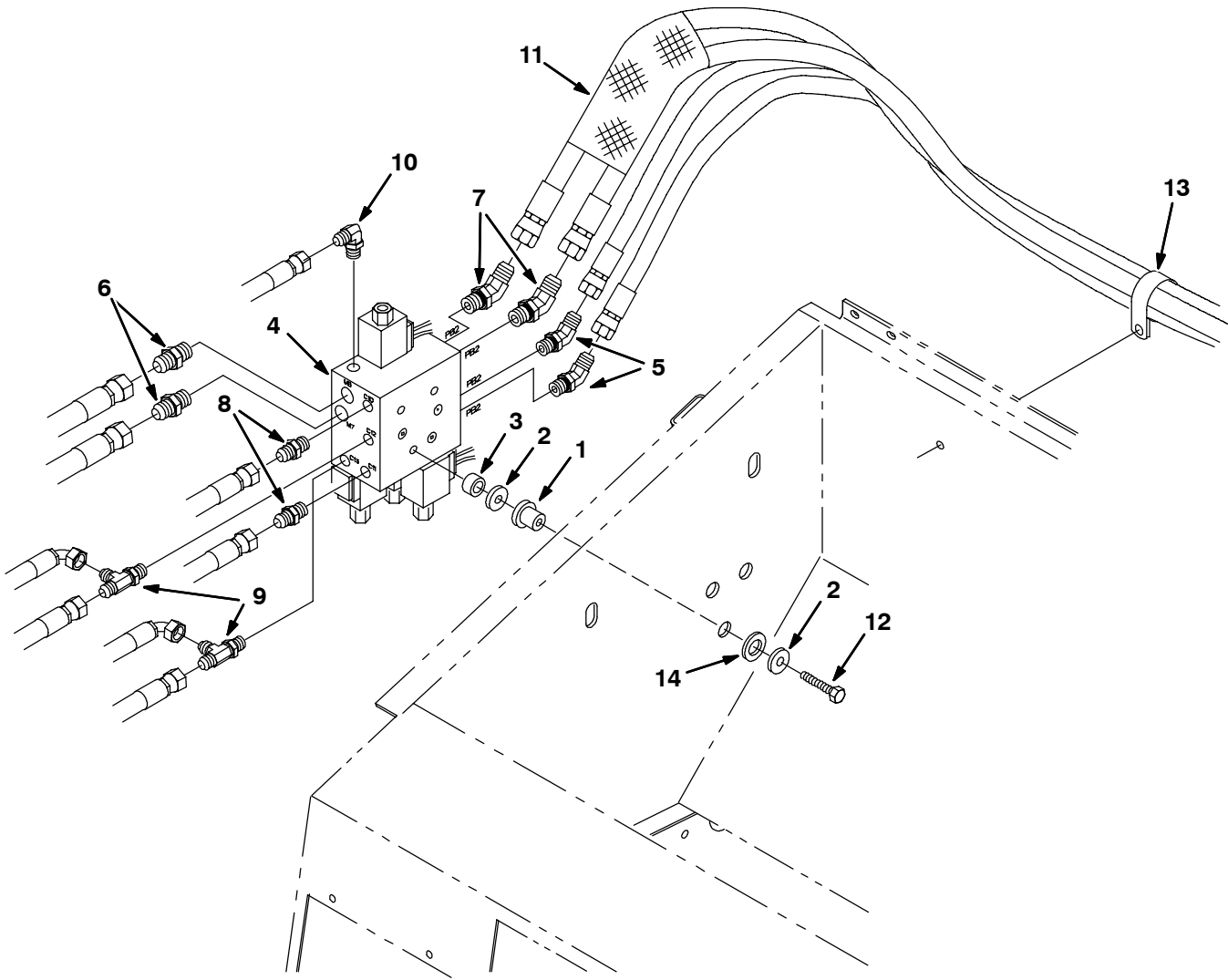


Fig. 14 - Hopper Solenoid Valve Group

Ref.	Part No.	Serial Number	Description	Qty.
1	54274	(000000-	) Isolator-Vibration, 125Lb. Ratng	3
2	13248	(000000-	) Washer .400B 1.12D .12Cr Znc	6
3	82229	(000000-	) Sleeve, .562B .88D .50 Znc	3
4	84011	(000000-	) Valve, Hyd Cntrl Sol (See Breakdowns)	1
5	34359	(000000-	) Ftg-Hyd E45 Jm04/om04	2
6	44869	(000000-	) Ftg-Hyd Str Jm08/om08	2
7	42226	(000000-	) Ftg-Hyd E45 Jm08/om08	2
8	55586	(000000-	) Ftg-Hyd Str Jm04/om04	2
9	34390	(000000-	) Ftg-Hyd Tee Jm04Jmom	2
10	77097	(000000-	) Ftg-Hyd E90 Jm04/om04	1
11	50121	(000000-	) Sleeve, Nyln	1
12	73399	(000000-	) Scr-Hex M8X1.5 50	3
13	86328	(000000-	) Clamp-Cable 1.50D 1.00W STL	1
14	39350	(000000-	) Washer Flt .75 SAE	3

Fig. 15 - Vacuum Fan Group, Sweeper

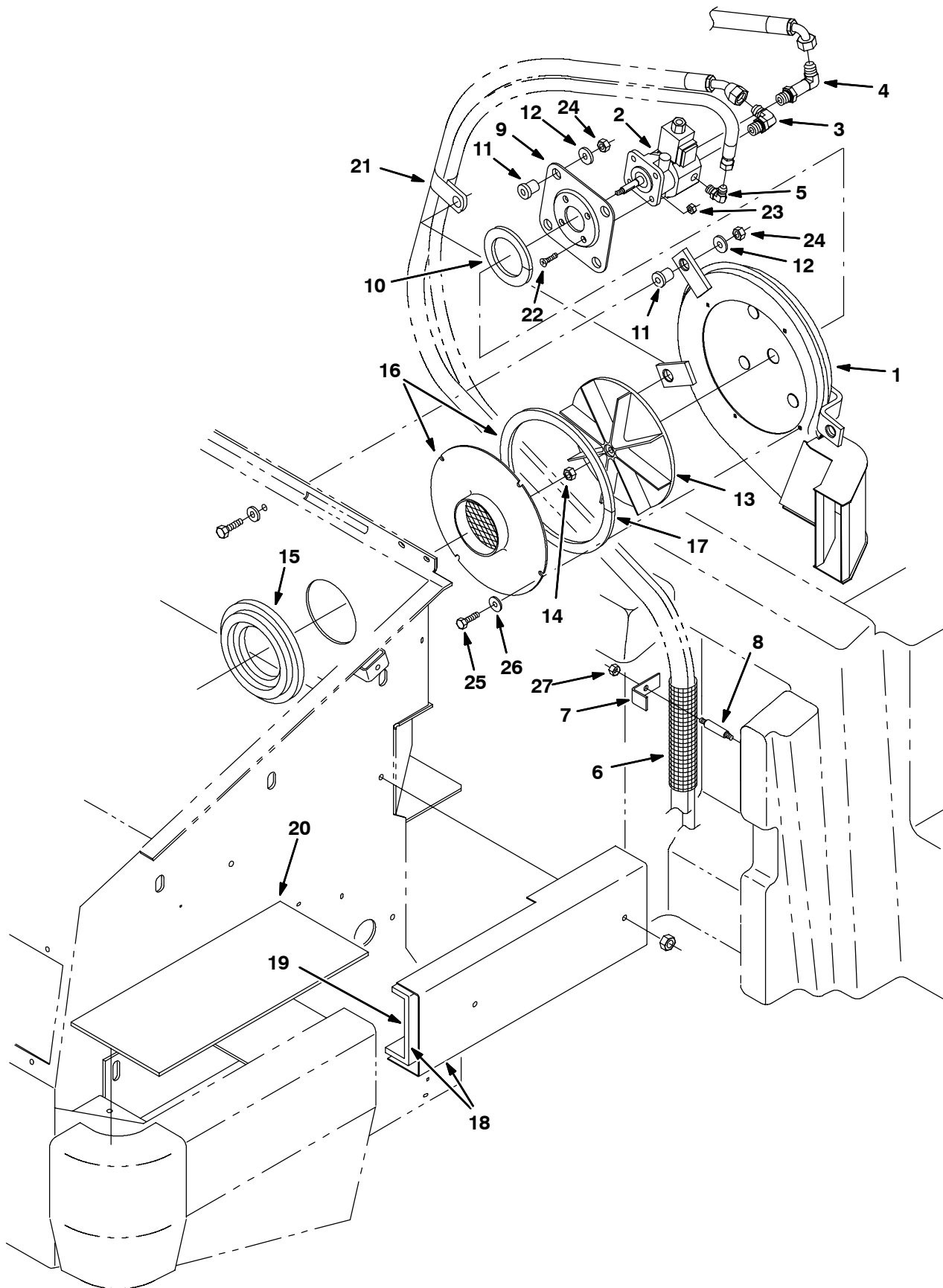


Fig. 15 - Vacuum Fan Group, Sweeper

Ref.	Part No.	Serial Number	Description	Qty.	
1	21207	(000000-	) Housing Wldt, Vacfan, 9.0d Impeller	1	
2	84009	(000000-	) Motor, Hyd, Gear, Ext 0.19 Lh 1800	1	
3	44868	(000000-	) Fitting, Hyd, E90, Jm08/Om08	1	
4	69173	(000000-	) Fitting, Hyd, E90, Jm08/Om08, L	1	
5	77097	(000000-	) Fitting, Hyd, E90, Jm04/Om04	1	
6	50121	(000000-	) Sleeve, Nyl, #27 08.0l	2	
7	78887	(000000-	) Clamp, Angle, Hose	1	
8	78886	(000000-	) Rod, Thrd, 2 End, M08 X 1.3 02.7l	1	
9	54275A	(000000-	) Bracket, Mtg, Motor	1	
10	59967	(000000-	) Seal, Ure, 0.38, 0.75w 13.2l Adh	1	
11	54274	(000000-	) Isolator, Vib, Bshg, 1.1d 0.6l .4b 0.78h	7	
12	13248	(000000-	) Washer, Flat, 0.40b 1.12d .12, Stl, Pl	7	
13	08143	(000000-	) Impeller, 9.00d X 0.376b	1	
14	87299	(000000-	) Nut, Hex, Flexlock, .31-24, Thin	1	
15	73397	(000000-	) Seal, Inlet, Vacfan	1	
▽	16	59656	(000000-	) Duct Assy, Vacfan, W/ Seal	1
▲	17	59735	(000000-	) Seal, Ure, 0.38, 0.75w 33.0l Adh	1
▽	18	84042	(000000-	) Duct Assy, Vacfan, W/ Seal	1
▲	19	10695	(000000-	) Insulation, Acstc, 0.5, 19.5 X 11.5 Ntch	1
	20	10693	(000000-	) Insulation, Acstc, 0.3, 13.0 X 6.5	1
	21	53466	(000000-	) Clamp, Cable, Stl, 1.50d X 1.00w, 1h	1
	22	39534	(000000-	) Screw, Flt, .25-20 X 1.00, Al	4
	23	32981	(000000-	) Nut, Hex, Lock, .25-20, NI	4
	24	41430	(000000-	) Nut, Hex, Lock, M10 X 1.5, NI	7
	25	34323	(000000-	) Screw, Hex, .25-20 X 0.75, NI	4
	26	41178	(000000-	) Washer, Flat, 0.25 Fendr	4
	27	08713	(000000-	) Nut, Hex, Lock, M8 X 1.25, NI, Ss	1

Fig. 16 - Hopper Pressure Switch Group

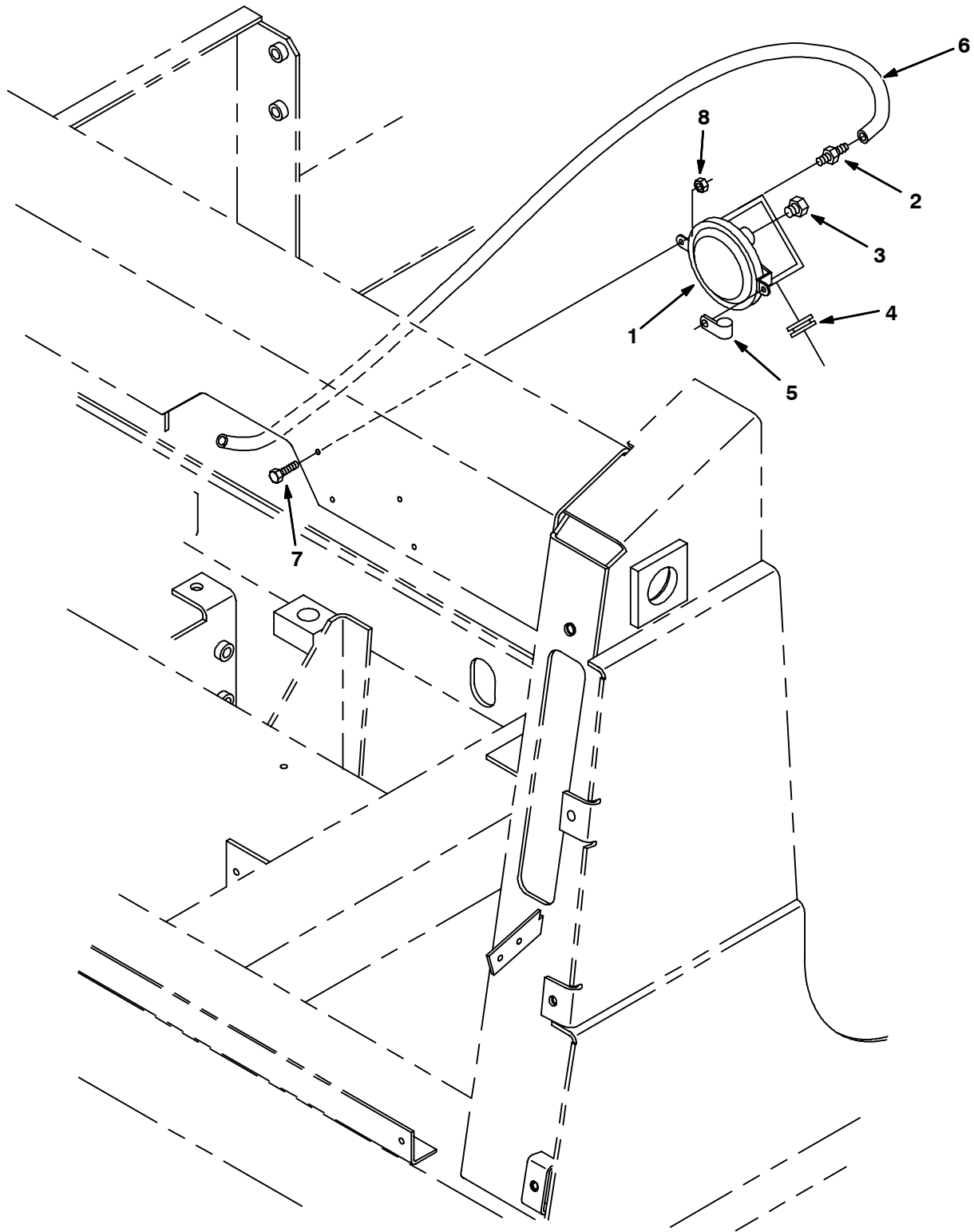


Fig. 16 - Hopper Pressure Switch Group

Ref.	Part No.	Serial Number	Description	Qty.
1	34868	(000000-	) Switch, Pressure	1
2	40607	(000000-	) Ftg, Brass,St Bm03/Pm02	1
3	82739	(000000-	) Ftg, Breather	1
4	10632-4	(000000-	) Grommet, Rbr,0.62ld,For .06Matl	1
5	46236	(000000-	) Clamp-Cable, 0.25Dia 0.56Wth	1
6	39780-1	(000000-	) Hose, Vacuum,.16ld X 28.0Lg	1
7	09228	(000000-	) Screw, Hex, M4 X 0.7 X 20, 8.8	2
8	02850	(000000-	) Nut, Hex, Lock, M4 X 0.7, NI	2

**Fig. 17 - Engine And Mount Group**

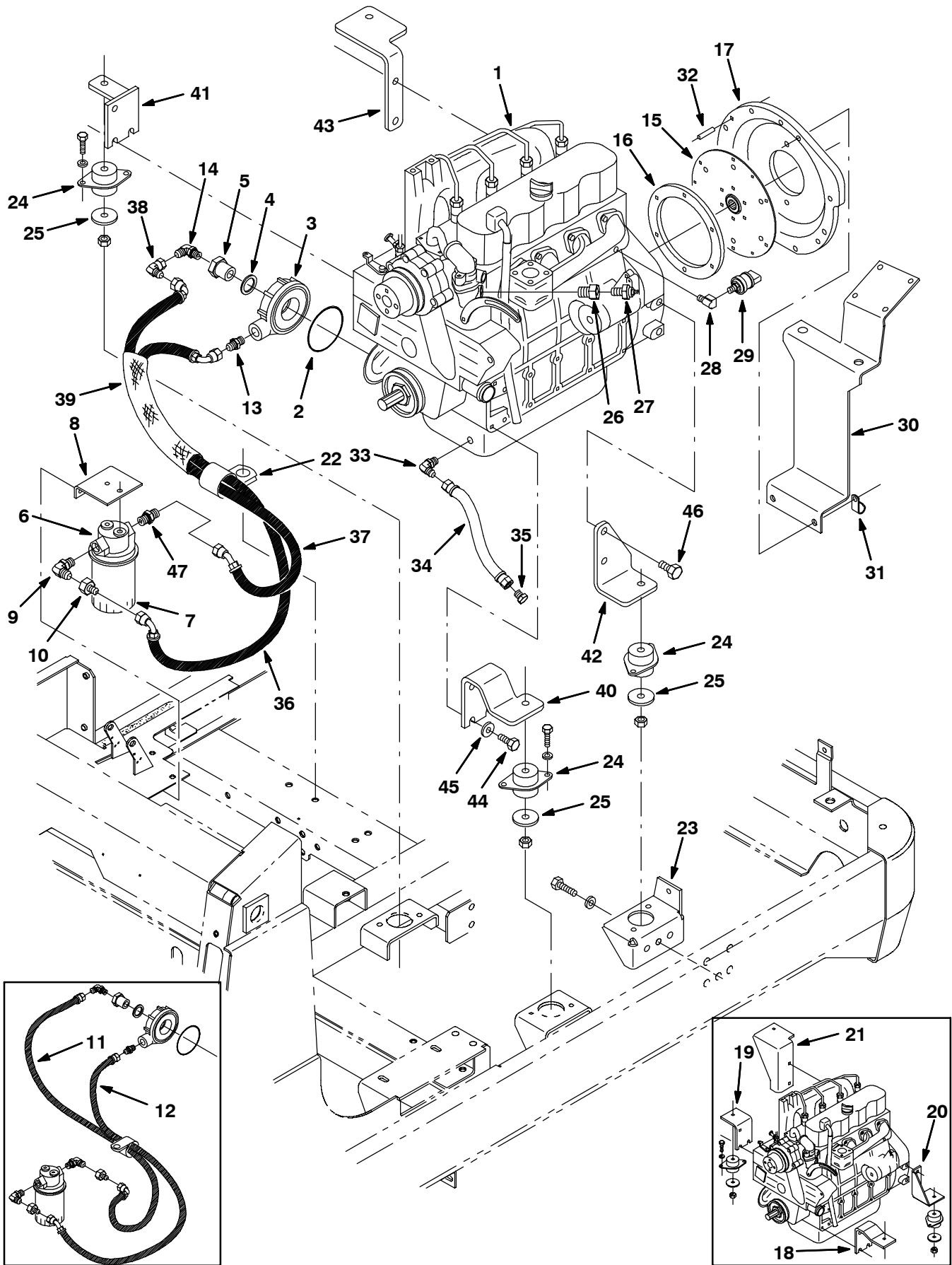




Fig. 17 - Engine And Mount Group

	Ref.	Part No.	Serial Number	Description	Qty.
▽	1	73032	(000000-	) Engine Assy, Die	1
▲	2	73292	(000000-	) O-Ring Ku	1
▲	3	380547	(000000-	) Adaptor, Oil Ku	1
▲	4	73293	(000000-	) Gasket Ku	1
▲	5	380548	(000000-	) Plug, Oil Ku	1
▲	6	380564	(000000-	) Support, Filter	1
	7	82693	(000000-	) Oil Cartridge	1
	8	72966	(000000-	) Bracket, Mtg, Oil Filter	1
	9	51782	(000000-	) Ftg-Hyd E90 Jm10/Om10	1
	10	47754	(000000-	) Ftg-Hyd Str Jm06/Jf10	1
	11	72964	(000000-012007	) Hose-Hyd Low 06	1
	12	72965	(000000-012007	) Hose-Hyd Low06	1
	13	52402	(000000-	) Ftg-Hyd Str Jm06/Om08	1
	14	47512	(000000-	) Ftg-Hyd E9 Jm06/Om08	1
	15	77214	(000000-	) Coupling Assy, Flywheel 8.75Bc	1
	16	25522	(000000-	) Ring Coupling Mounting	1
	17	25066	(000000-	) Housing, Flywheel, Machined	1
	18	83859	(000000-013227	) Motor, Mtg, Die, Lh	1
	19	84017	(000000-013227	) Motor, Mtg, Die, Rh	1
	20	72786	(000000-013227	) Bracket, Eng, Lh, Rear, Upper	1
	21	72787	(000000-013227	) Bracket, Eng, Rh, Rear, Upper	1
	22	58366	(000000-	) Clamp, Cable 1.25Dia 1.00W Neo	1
	23	73133	(000000-	) Bracket, Eng, Lh, Rear, Lower	1
	24	63695	(000000-	) Isolator, Mounting	4
	25	51564	(000000-	) Washer, .531B 1.75D .12Cr.Znc	4
	26	47167	(000000-	) Ftg-Str Npt/Npt 06Pf-08Pm	1
	27	36165	(000000-	) Send Unit, Temperature	1
	28	24976	(000000-013227	) Ftg-Brs E45 Pm02/Pf02	1
	28	11984	(013228-	) Ftg-Brs E90 Pm02/Pf02	1
	29	79399	(000000-	) Switch, Pressure Oil	1
	30	78807	(000000-	) Bracket Wldt, Fan	1
	31	30407	(000000-	) Clip, Keeper, Open	2
	32	82579	(000000-	) Pin, Spring, 10.5Mm X 26Mm	2
	33	33595	(000000-	) Ftg-Metric E90 0mm16/Jm08	1
	34	56745	(000000-	) Hose-Hyd Low 08	1
	35	16376	(000000-	) Ftg-Hyd PLG JM08	2
	36	84143	(012008-	) Hose-Hyd Low06 Spcl 44.0 J9/J9	1
	37	84144	(012008-	) Hose-Hyd Low06 Spcl 40.0 J9/J4	1
	38	47504	(012008-	) Ftg-Hyd E90Jm06/Jf06	1
	39	31646	(012008-	) Sleeve-Nyln #24 25.0L	1
	40	392630	(013228-	) Bracket, Mtg, Dsl, Front, Lh	1
	41	392633	(013228-	) Bracket Wldt, Mtg, Dsl, Front, Rh	1
	42	392632	(013228-	) Bracket, Mtg, Dsl, Rear, Lh	1
	43	392631	(013228-	) Bracket, Mtg, Dsl, Rear, Rh	1
	44	73148	(013228-	) Screw, Hex, M12 X 1.25 X 30, 8.8	6
	45	32486	(013228-	) Washer, Flat, 0.50 Sae	6
	46	33609	(013228-	) Screw, Hex, M14 X 1.5 X 25, 8.8	4
	47	47508	(013228-	) Fitting, Hyd, Str, Jm06/Om10	1

Fig. 18 - Engine Throttle Group

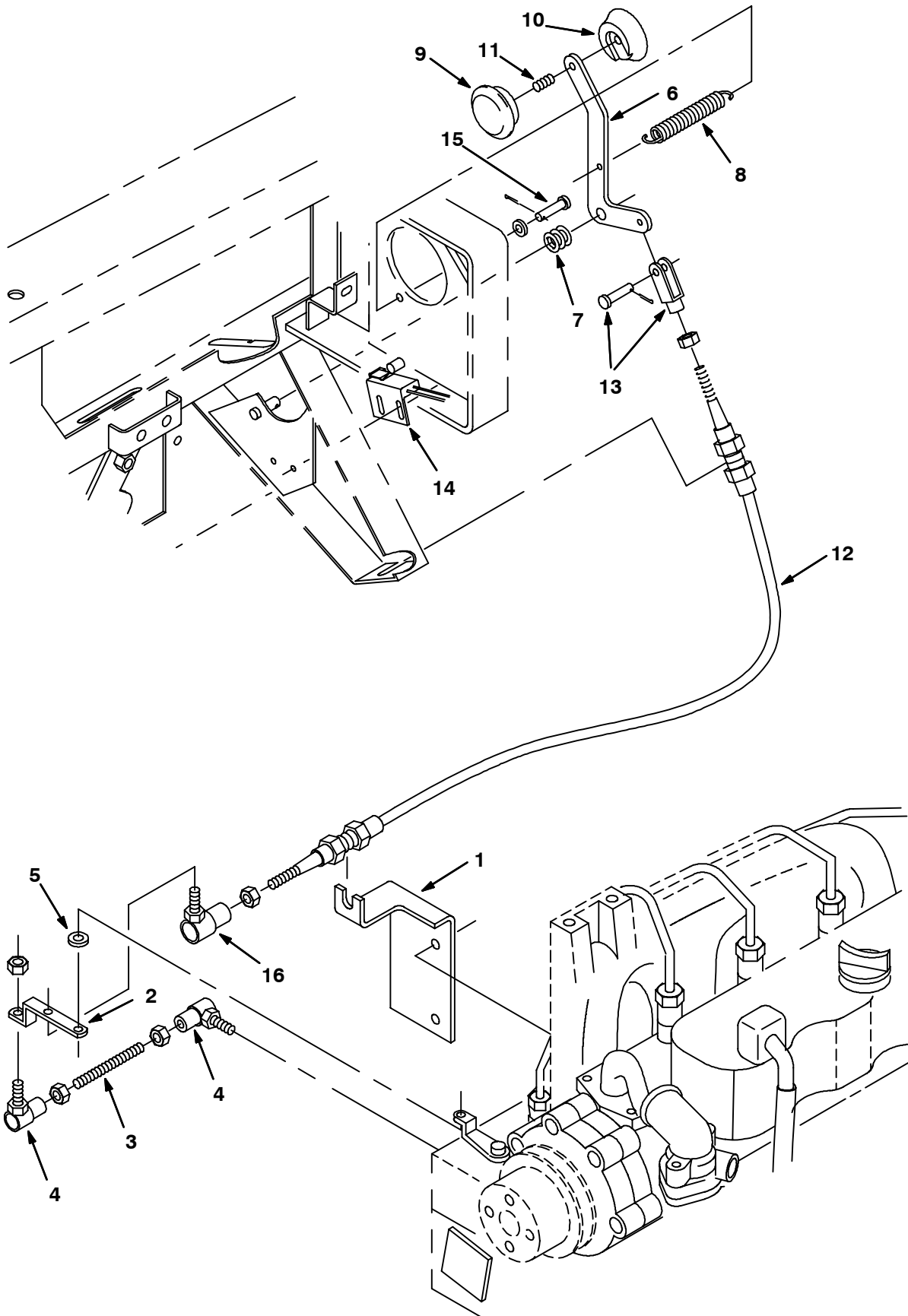


Fig. 18 - Engine Throttle Group

Ref.	Part No.	Serial Number	Description	Qty.
1	73274	(000000-	) Bracket, Throttle, Engine	1
2	82597	(000000-	) Link, Throttle	1
3	42196	(000000-	) Rod-Thrd, Full .25-28	1
4	14601	(000000-	) Ball Joint, 250-28	2
5	24924	(000000-	) Washer, .281B .62D .06Nylon	1
6	72627	(000000-	) Lever, Throttle, Diesel	1
7	57889	(000000-	) Sprng,Comp,0.59Idx.05Wire 0.6L	1
8	29260	(000000-	) Sprng,Tens,0.37Odx.05Wire 4.5L	1
9	64434	(000000-	) Knob	1
10	70827	(000000-	) Knob	1
11	70847	(000000-	) Screw Set M 6X1.020	1
12	73337	(000000-	) Cable, Push-Pull	1
13	27880	(000000-	) Yoke Assy.	1
14	59962	(000000-	) Switch, Roller	1
15	36376	(000000-	) Pin, Clevis, .19 DiaX.50 Lg	1
16	14506-1	(000000-	) Ball Joint, 10-32	1

Fig. 19 - Engine Alternator Group

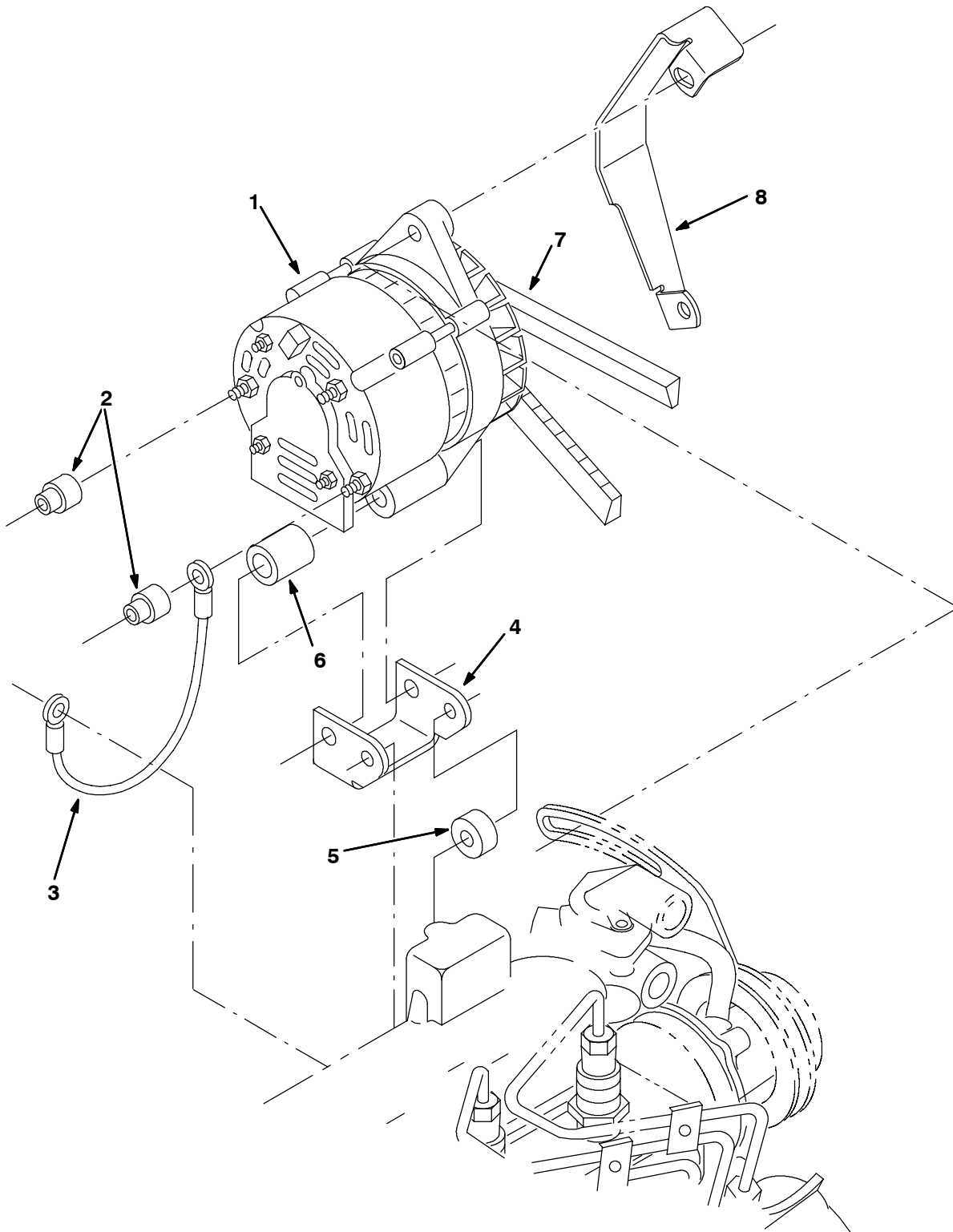


Fig. 19 - Engine Alternator Group

	Ref.	Part No.	Serial Number	Description	Qty.
▽	1	60559	(000000-013227 )	Alternator, 50A/12V Mando	1
▲		61931	(000000-013227 )	Regulator	1
▲		86041	(000000-013227 )	Bearing-Ball, .669B 1.575D .472W	1
▲		61529	(000000-013227 )	Brush Kit	1
▲		61531	(000000-013227 )	Rectifier	1
▲		70160	(000000-013227 )	Alternator Pully MD	1
	1	392611	(013228-	Alternator, 12Vdc 075A	1
	2	61363	(000000-	Boot, Alternator	2
	3	82731	(000000-	Wire-Ground, Alternator	1
	4	33701	(000000-	Bracket Alt Kubota Se	1
	5	06918	(000000-	Sleeve, .375B 1.00D .69 Cd,Znc	1
	6	33736	(000000-	Sleeve	1
	7	04022	(000000-	V-Belt, A-42	1
	8	83581	(000000-	Guard, Alternator	1

Fig. 20 - Engine Air Cleaner Group

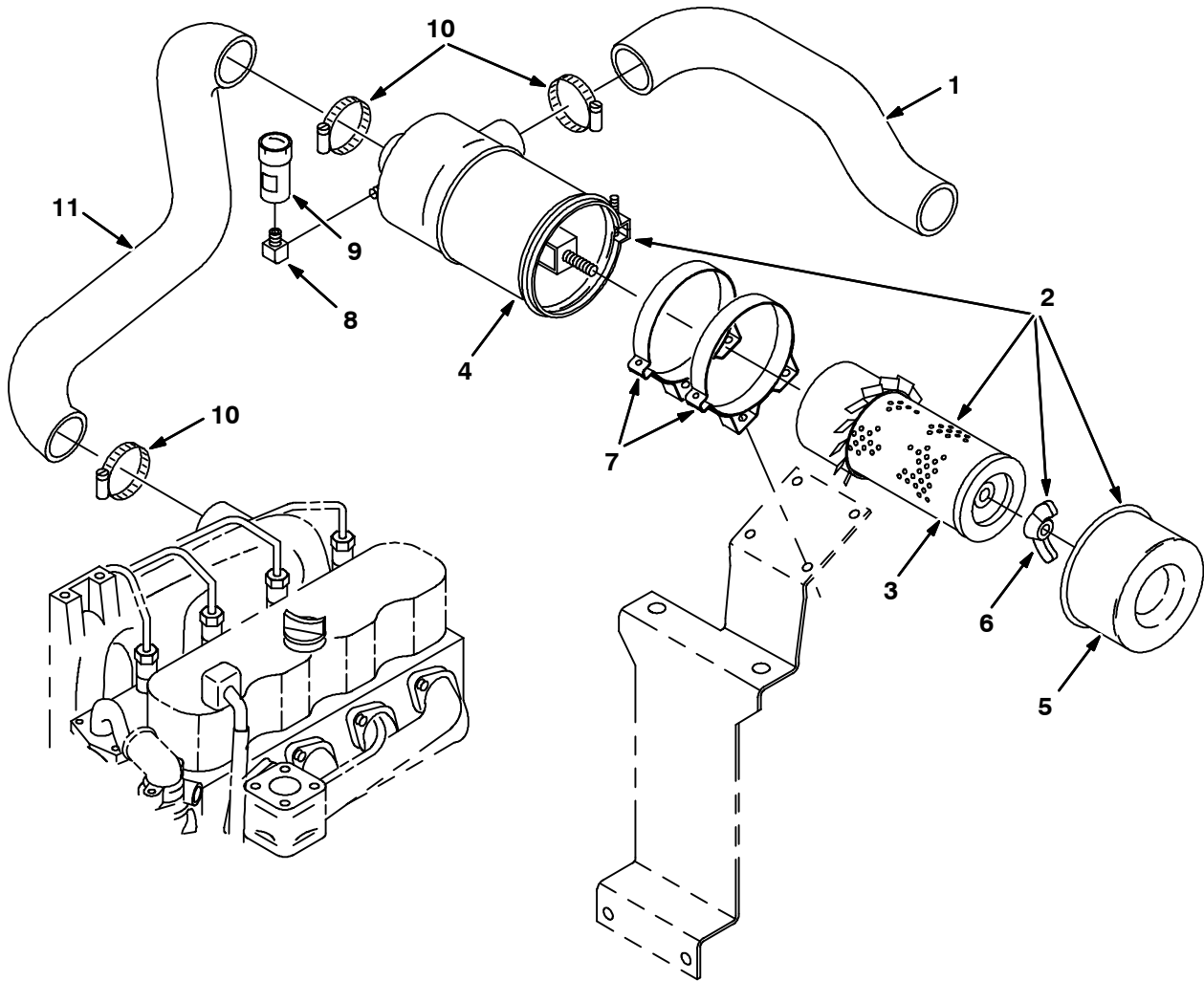


Fig. 20 - Engine Air Cleaner Group

Ref.	Part No.	Serial Number	Description	Qty.
	1	78845	(000000- ) Hose, Air Intake, Molded	1
▽	2	58538	(000000- ) Air Cleaner	1
▲	3	58120	(000000- ) Filter Element, Air	1
▲	4	02740	(000000- ) Clamp Assy	1
▲	5	02741	(000000- ) Cup Assy	1
▲	6	07562	(000000- ) Nut,Wing .44-20 Special	1
	7	51560-3	(000000- ) Clamp,Mounting,Cyclopac Aircl.	2
	8	11984	(000000- ) Ftg, EI90 Npt/02Pf-02Pm	1
	9	03026	(000000- ) Indicator Service Air Filter	1
	10	14432	(000000- ) Clamp-Wormdrive, 1.81- 2.75D	3
	11	78846	(000000- ) Hose, Air Intake, Molded, Die	1

**Fig. 21 - Engine Muffler Group (000000-013227)**

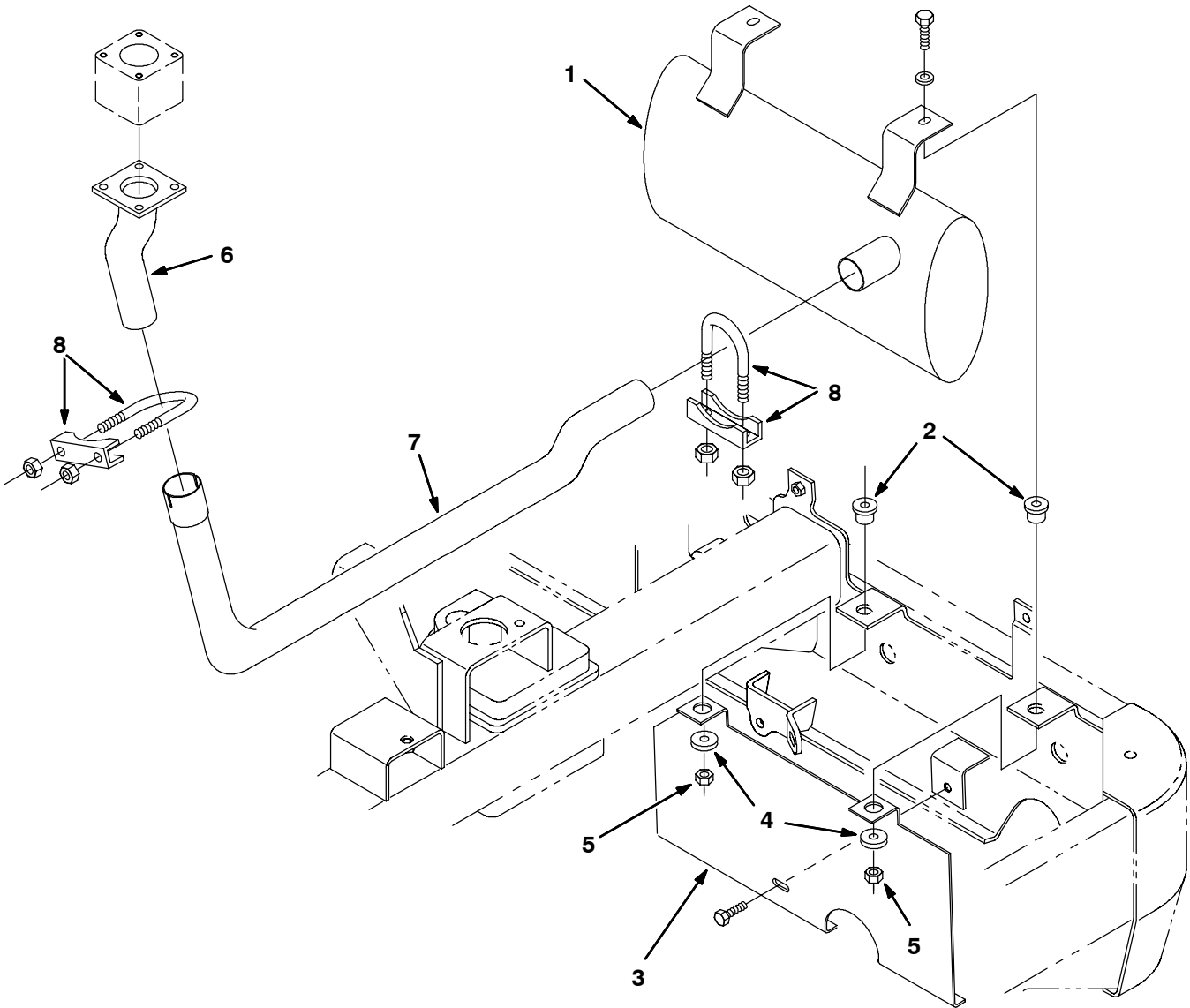




Fig. 21 - Engine Muffler Group (000000-013227)

Ref.	Part No.	Serial Number	Description	Qty.
1	374599	(000000-013227 )	Muffler, Exhaust	1
2	54274	(000000-013227 )	Isolator-Vibration,125Lb.Ratng	2
3	83563	(000000-013227 )	Plate, Shield, Muffler	1
4	13248	(000000-013227 )	Washer .400B 1.12D .12Cr Znc	2
5	41430	(000000-013227 )	Nut-Hxlocnyln M10X1.5	2
6	77329	(000000-013227 )	Pipe, Exhaust, Die	1
7	73029	(000000-013227 )	Pipe, Exhaust, Die	1
8	24012	(000000-013227 )	Clamp-Muffler,For 1.62 Od Tube	2

Fig. 22 - Engine Muffler Group (013228- )

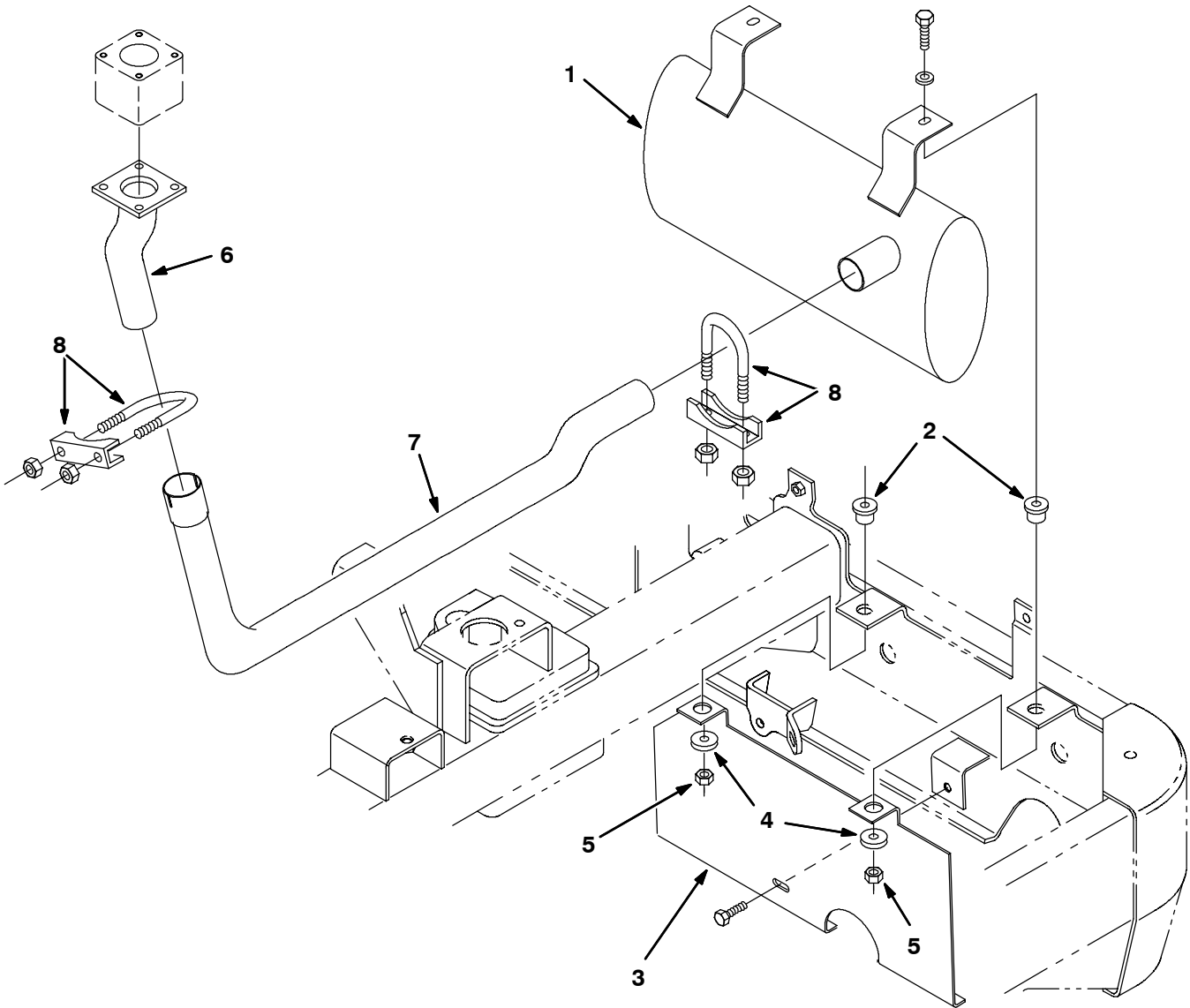


Fig. 22 - Engine Muffler Group (013228- )

Ref.	Part No.	Serial Number	Description	Qty.
1	374599	(013228-	) Muffler, Exhaust	1
2	54274	(013228-	) Isolator-Vibration,125Lb.Ratng	2
3	83563	(013228-	) Plate, Shield, Muffler	1
4	13248	(013228-	) Washer .400B 1.12D .12Cr Znc	2
5	41430	(013228-	) Nut-Hxlocnyln M10X1.5	2
6	392628	(013228-	) Pipe, Exhaust, Die	1
7	392643	(013228-	) Pipe, Exhaust, Die	1
8	24012	(013228-	) Clamp-Muffler,For 1.62 Od Tube	2

Fig. 23 - Engine Fuel Tank Group (00000-014999)

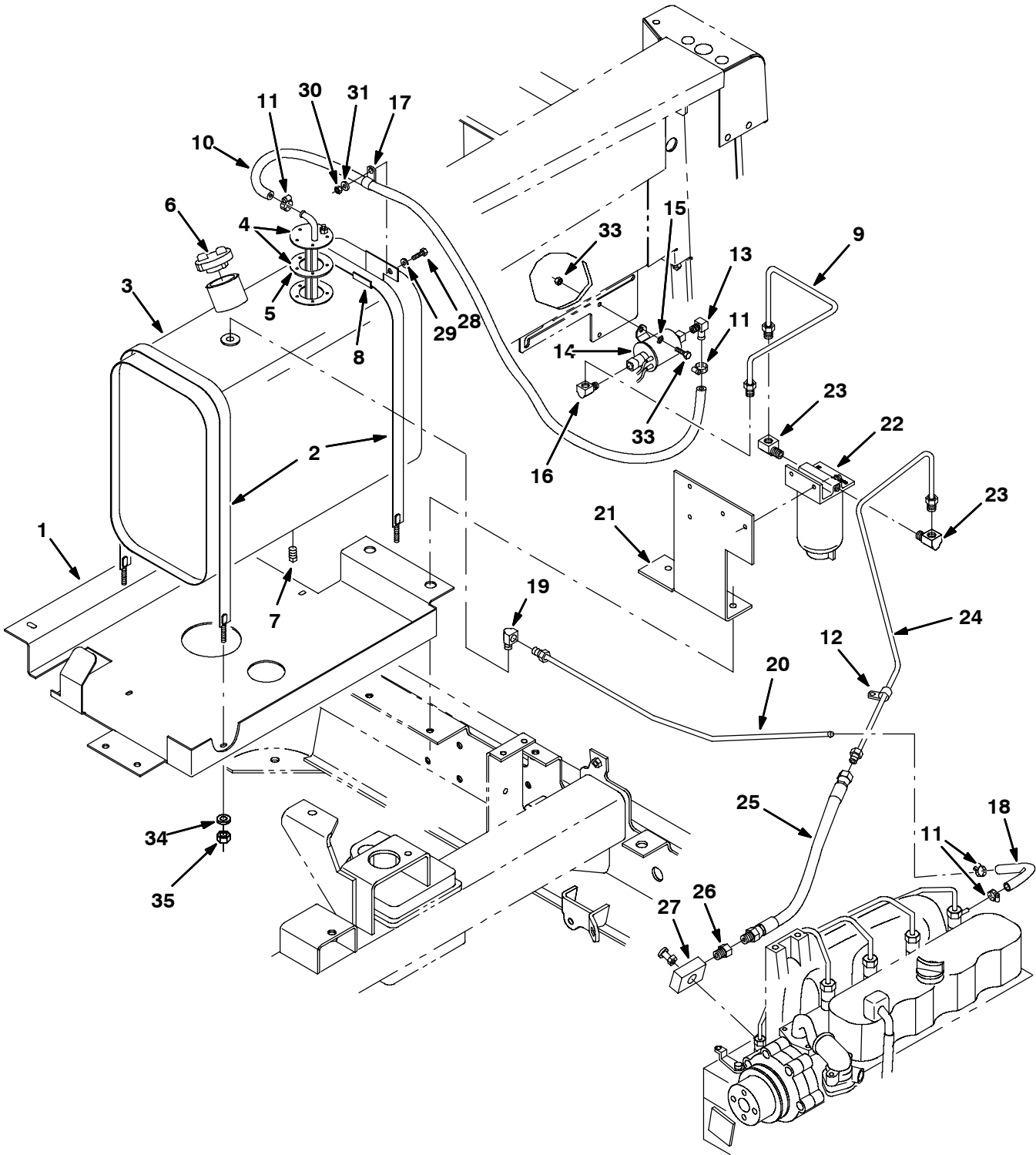


Fig. 23 - Engine Fuel Tank Group (000000-014999)

Ref.	Part No.	Serial Number	Description	Qty.	
1	83841	(000000-014999 )	Tray, Fuel	1	
2	87396	(000000-014999 )	Strap Weldmt, Gas Tank	2	
▽	3	84101	(000000-014999 )	Tank, Fuel W/Label	1
▲▽	4	78937	(000000-014999 )	Sending Unit	1
▲▲	5	14131	(000000-014999 )	Gasket, 2.7D 1.5B.12T 5/ 2.1Bc	1
▲	6	48267	(000000-014999 )	Cap, Fuel	1
▲	7	48126	(000000-014999 )	Ftg-Plug Npt 02Pm Sq Hd	1
	8	70767	(000000-014999 )	Tab,Fuelline	1
	9	84137	(000000-014999 )	Fuelline	1
	10	84054	(000000-014999 )	Hose-Fuel, .31ld 23.0L	1
	11	43844	(000000-014999 )	Clamp-Wormdrive, 0.25- 0.62D	4
	12	26395-1	(000000-014999 )	Clamp-Cable, 0.56Dia 0.38Wth	1
	13	53029	(000000-014999 )	Ftg-Brs E90 Bm05/Pm02	1
	14	59015	(000000-014999 )	Pump, Fuel	1
	15	41140	(000000-014999 )	Washer-Loc Int-Ext .25 Pltd	1
	16	15555-1	(000000-014999 )	Ftg-Brs E90 If05/Pm02	1
	17	67767	(000000-014999 )	Clamp, Cable, Stl, 0.69d X 0.62w, 1h	1
	18	82689	(000000-014999 )	Hose Rubber .18l.D X 8.0 Lg	1
	19	53078	(000000-014999 )	Ftg-Brs E90 If03/Pm02	1
	20	73336	(000000-014999 )	Fuelline .188 Od	1
	21	73328	(000000-014999 )	Bracket, Mounting, Fuel Pump	1
▽	22	1016827	(000000-014999 )	Filter Assy, Fuel, Dsl	1
▲		1017126	(000000-014999 )	Element, Fltr, Fuel [Dn]	1
	23	15555-2	(000000-014999 )	Fitting, Brass E90	2
	24	73335	(000000-014999 )	Fuelline	1
	25	70173	(000000-014999 )	Hose, Fuelline, 10.0L	1
	26	40585	(000000-014999 )	Ftg-Brs Str If05/Pm02	1
	27	33737	(000000-014999 )	Banjo Fuel	1
	28	39277	(000000-014999 )	Screw, Hex, M8 X 1.25 X 25, 8.8	1
	29	32491	(000000-014999 )	Washer, Flat, 0.31, Std	1
	30	08709	(000000-014999 )	Nut, Hex, Lock, M8 X 1.25, NI	1
	31	41139	(000000-014999 )	Washer, Lock, Int-Ext, #10	1
	32	06942	(000000-014999 )	Screw, Hex, M6 X 1.0 X 16, 8.8	2
	33	08708	(000000-014999 )	Nut, Hex, Lock, M6 X 1.00, NI	2
	34	32483	(000000-014999 )	Washer, Flat, 0.25, Sae	4
	35	32981	(000000-014999 )	Nut, Hex, Lock, .25-20, NI	4

Fig. 24 - Engine Fuel Tank Group (015000- )

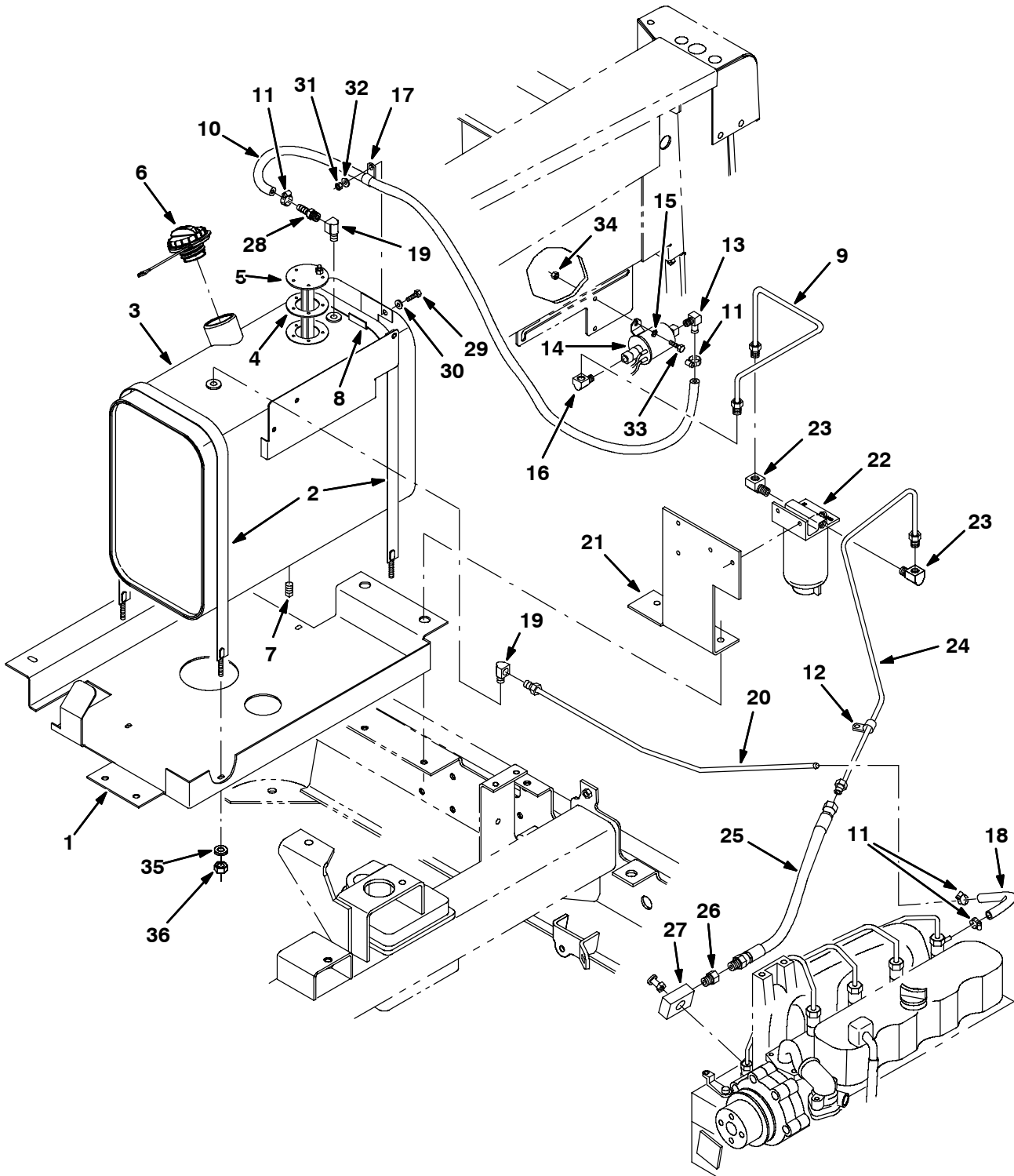


Fig. 24 - Engine Fuel Tank Group (015000- )

Ref.	Part No.	Serial Number	Description	Qty.
	1	83841	(015000- ) Tray, Fuel	1
	2	87396	(015000- ) Strap Weldmt, Gas Tank	2
▽	3	9003609	(015000- ) Tank, Fuel, 09.4gal, W/ Label	1
▲	4	1033897	(015000- ) Gasket, Sender, Fuel	1
▲	5	1033899	(015000- ) Send-Unit, Fuel [800/810 2007]	1
▲	6	1032812	(015000- ) Cap, Fuel, Tank	1
▲	7	48126	(015000- ) Ftg-Plug Npt 02Pm Sq Hd	1
	8	70767	(015000- ) Tab,Fuelline	1
	9	84137	(015000- ) Fuelline	1
	10	84054	(015000- ) Hose-Fuel, .31ld 23.0L	1
	11	43844	(015000- ) Clamp-Wormdrive, 0.25- 0.62D	4
	12	26395-1	(015000- ) Clamp-Cable, 0.56Dia 0.38Wth	1
	13	53029	(015000- ) Ftg-Brs E90 Bm05/Pm02	1
	14	59015	(015000- ) Pump, Fuel	1
	15	41140	(015000- ) Washer-Loc Int-Ext .25 Pltd	1
	16	15555-1	(015000- ) Ftg-Brs E90 If05/Pm02	1
	17	67767	(015000- ) Clamp, Cable, Stl, 0.69d X 0.62w, 1h	1
	18	82689	(015000- ) Hose Rubber .18l.D X 8.0 Lg	1
	19	9000355	(015000- ) Fitting, Brs, E90, Em05/Pm04	2
	20	73336	(015000- ) Fuelline .188 Od	1
	21	73328	(015000- ) Bracket, Mounting, Fuel Pump	1
▽	22	1016827	(015000- ) Filter Assy, Fuel, Dsl	1
▲		1017126	(015000- ) Element, Fltr, Fuel [Dn]	1
	23	15555-2	(015000- ) Fitting, Brass E90	2
	24	73335	(015000- ) Fuelline	1
	25	70173	(015000- ) Hose, Fuelline, 10.0L	1
	26	40585	(015000- ) Ftg-Brs Str If05/Pm02	1
	27	33737	(015000- ) Banjo Fuel	1
	28	392629	(015000- ) Fitting, Brs, Str, Bm05/Pm04	1
	29	39277	(015000- ) Screw, Hex, M8 X 1.25 X 25, 8.8	1
	30	32491	(015000- ) Washer, Flat, 0.31, Std	1
	31	08709	(015000- ) Nut, Hex, Lock, M8 X 1.25, NI	1
	32	41139	(015000- ) Washer, Lock, Int-Ext, #10	1
	33	06942	(015000- ) Screw, Hex, M6 X 1.0 X 16, 8.8	2
	34	08708	(015000- ) Nut, Hex, Lock, M6 X 1.00, NI	2
	35	32483	(015000- ) Washer, Flat, 0.25, Sae	4
	36	32981	(015000- ) Nut, Hex, Lock, .25-20, NI	4

Fig. 25 - Engine Radiator and Hydraulic Cooler Group (000000-012179)

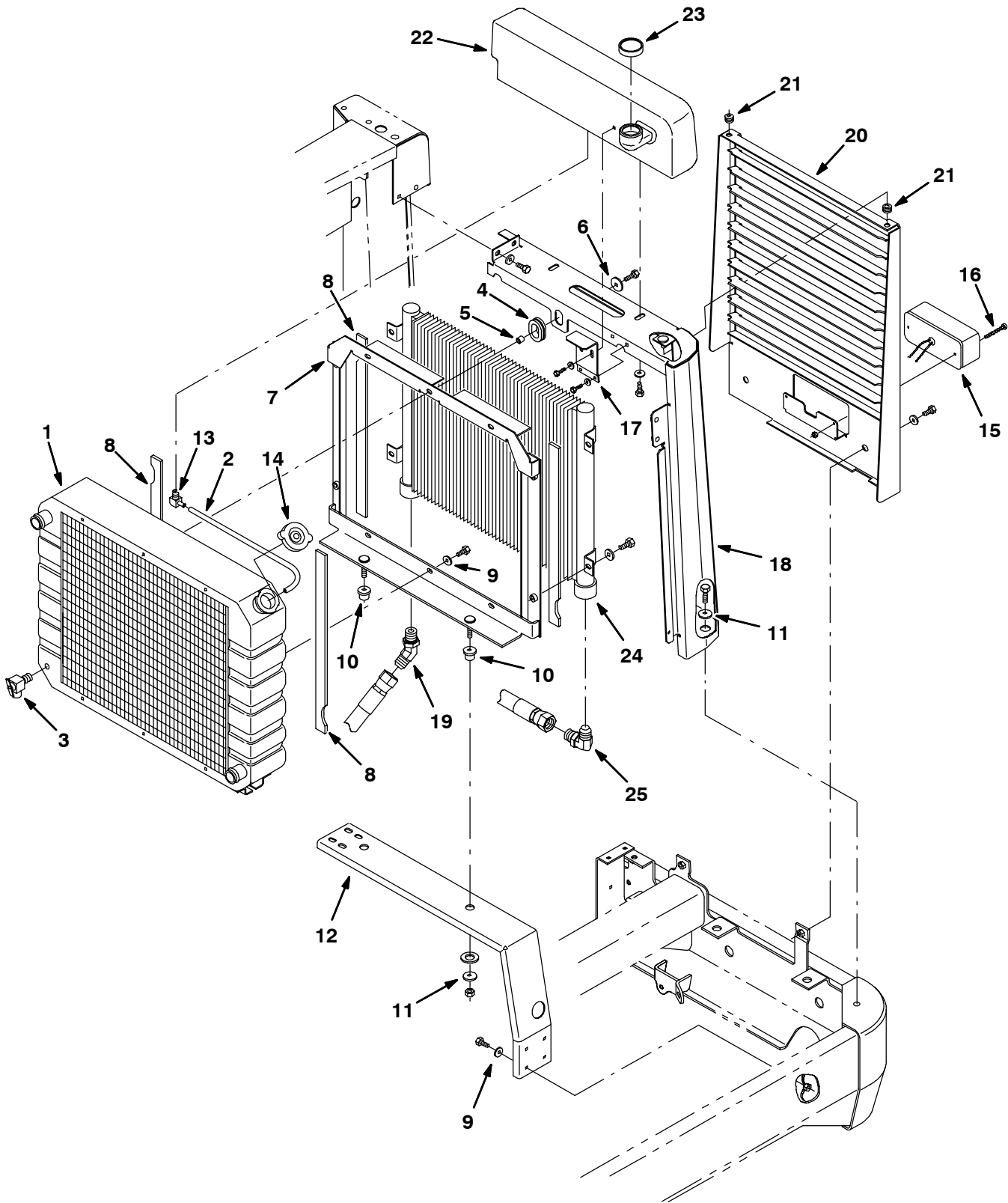




Fig. 25 - Engine Radiator and Hydraulic Cooler Group (000000-012179)

Ref.	Part No.	Serial Number	Description	Qty.
▽ 1	1018063AM	(000000-012179 )	Radiator, F/1018063 Afmkt	1
▲ 2	61683	(000000-012179 )	Hose	1
3	51305	(000000-012179 )	Drain Cock,.25Npt Wh#120 Angl	1
4	10632-14	(000000-012179 )	Grommet,Rbr,1.00ld,For .12Matl	1
5	22140	(000000-012179 )	Sleeve, .370B .50D .50 Butwcd	1
6	30013	(000000-012179 )	Washer-Flt .31 Fender Pltd	1
7	78928	(000000-012179 )	Frame Wldt, Mtg, Radiator	1
8	63818	(000000-012179 )	Seal, Duct	4
9	41186	(000000-012179 )	Washer-Belleville .31 Pltd	11
10	54274	(000000-012179 )	Isolator-Vibration,125Lb.Ratng	2
11	13248	(000000-012179 )	Washer .400B 1.12D .12Cr Znc	3
12	72688	(000000-012179 )	Channel, Mounting, Radiator	1
13	08228	(000000-012179 )	Ftg. Brass, Elb, 0.4Npt-.04 Brb	1
14	31755	(000000-012179 )	Cap Radiator	1
15	84030	(000000-012179 )	Taillight Assy, W/Quick Disc	1
16	54093	(000000-012179 )	Screw-Chs M 5X0.8 60 4.8	2
17	83845	(000000-012179 )	Bracket, Support	1
18	83753	(000000-012179 )	Panel Wldt, Corner	1
19	57479	(000000-012179 )	Ftg-Hyd E45	1
20	83740	(000000-012179 )	Grill	1
21	10632-12	(000000-012179 )	Grommet,Rbr,0.38ld,For .12Matl	2
22	83784	(000000-012179 )	Tank, Radiator Fill	1
23	83844	(000000-012179 )	Cap, Tank, Overflow	1
24	73106	(000000-012179 )	Cooler, Hyd 25Gpm 400Btu 0500	1
25	53077	(000000-012179 )	Ftg-Hyd E90 Jm16/Om16	1

Fig. 26 - Engine Radiator and Hydraulic Cooler Group (012180-013227)

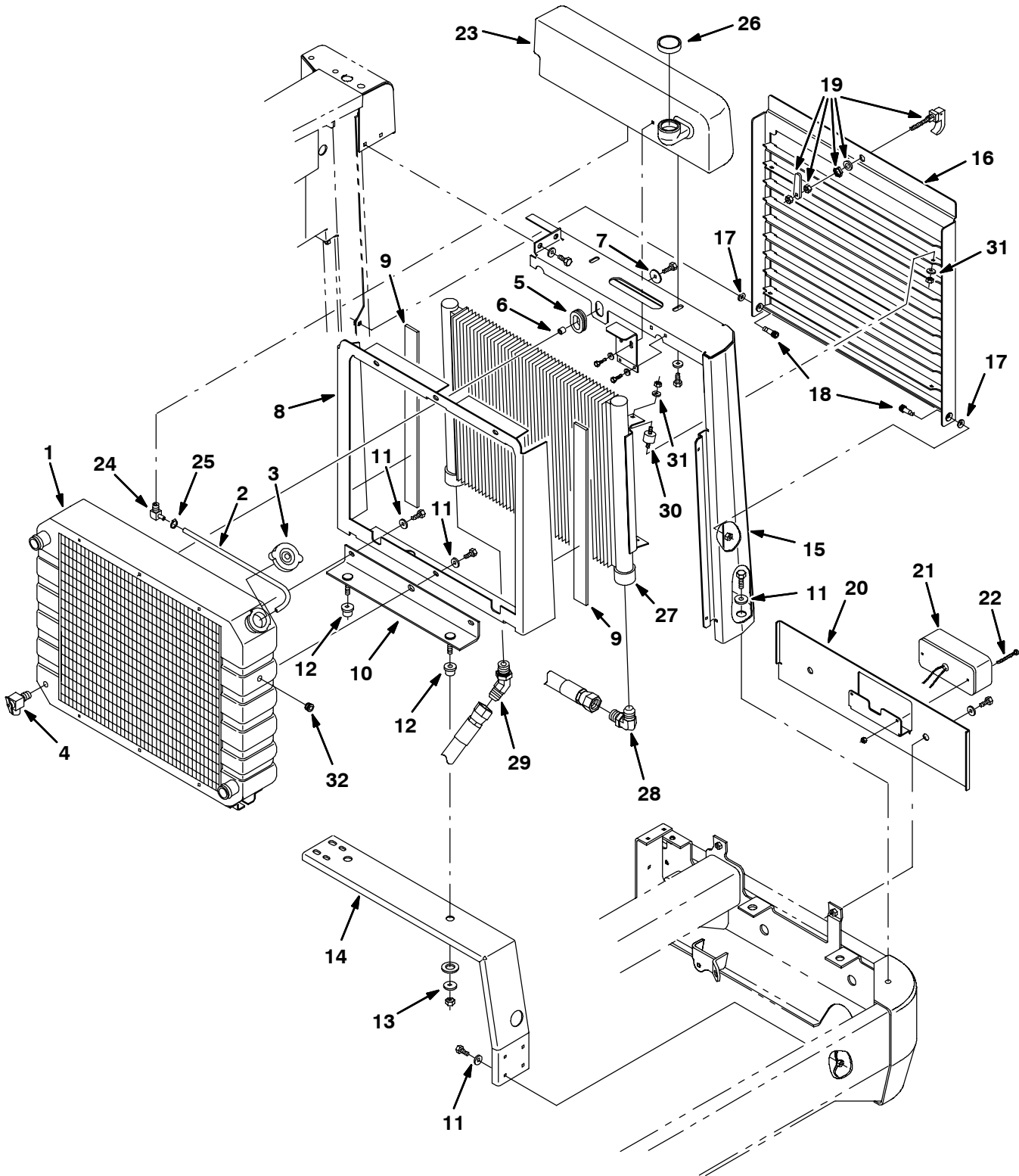


Fig. 26 - Engine Radiator and Hydraulic Cooler Group (012180-013227)

Ref.	Part No.	Serial Number	Description	Qty.
▽ 1	1018063AM	(012180-013227 )	Radiator, F/1018063 Afmkt	1
▲ 2	61683	(012180-013227 )	Hose	1
3	31755	(012180-013227 )	Cap Radiator	1
4	51305	(012180-013227 )	Drain Cock,.25Npt Wh#120 Angl	1
5	10632-14	(012180-013227 )	Grommet,Rbr,1.00ld,For .12Matl	1
6	22140	(012180-013227 )	Sleeve, .370B .50D .50 Butwcd	1
7	30013	(012180-013227 )	Washer-Flt .31 Fender Pltd	1
8	83575	(012180-013227 )	Frame, Air Duct	1
9	63818	(012180-013227 )	Seal, Duct	2
10	84136	(012180-013227 )	Plate, Mtg, Radiator	1
11	41186	(012180-013227 )	Washer-Belleville .31 Pltd	11
12	54274	(012180-013227 )	Isolator-Vibration,125Lb.Ratng	2
13	13248	(012180-013227 )	Washer .400B 1.12D .12Cr Znc	4
14	72688	(012180-013227 )	Channel, Mounting, Radiator	1
15	84127	(012180-013227 )	Tower Wldt, Corner	1
16	84132	(012180-013227 )	Grill Wldt, Rear	1
17	43611	(012180-013227 )	Washer, .391B .75D .06Nylon	1
18	02129	(012180-013227 )	Scr-Shld .375Dx0.38L .31-18	1
19	20838	(012180-013227 )	Fastener, Southco #62-10-102-30	1
20	84128	(012180-013227 )	Plate, Mtg, Channel	1
21	84030	(012180-013227 )	Taillight Assy, W/Quick Disc	1
22	54093	(012180-013227 )	Screw-Chs M 5X0.8 60 4.8	2
23	83784	(012180-013227 )	Tank, Radiator Fill	1
24	08228	(012180-013227 )	Ftg. Brass, Elb, 0.4Npt-.04 Brb	1
25	43844	(012180-013227 )	Clamp-Wormdrive, 0.25-0.62D	1
26	83844	(012180-013227 )	Cap, Tank, Overflow	1
27	84134	(012180-013227 )	Cooler, Hydraulic	1
28	53077	(012180-013227 )	Ftg-Hyd E90 Jm16/Om16	1
29	57479	(012180-013227 )	Ftg-Hyd E45	1
30	51322	(012180-013227 )	Isolator-Vibration .31-18	4
31	43952	(012180-013227 )	Washer-Loc int .31 Ss	8
32	02247	(xxxxxx-013227 )	Fitting, Plug	1

Fig. 27 - Engine Radiator and Hydraulic Cooler Group (013228- )

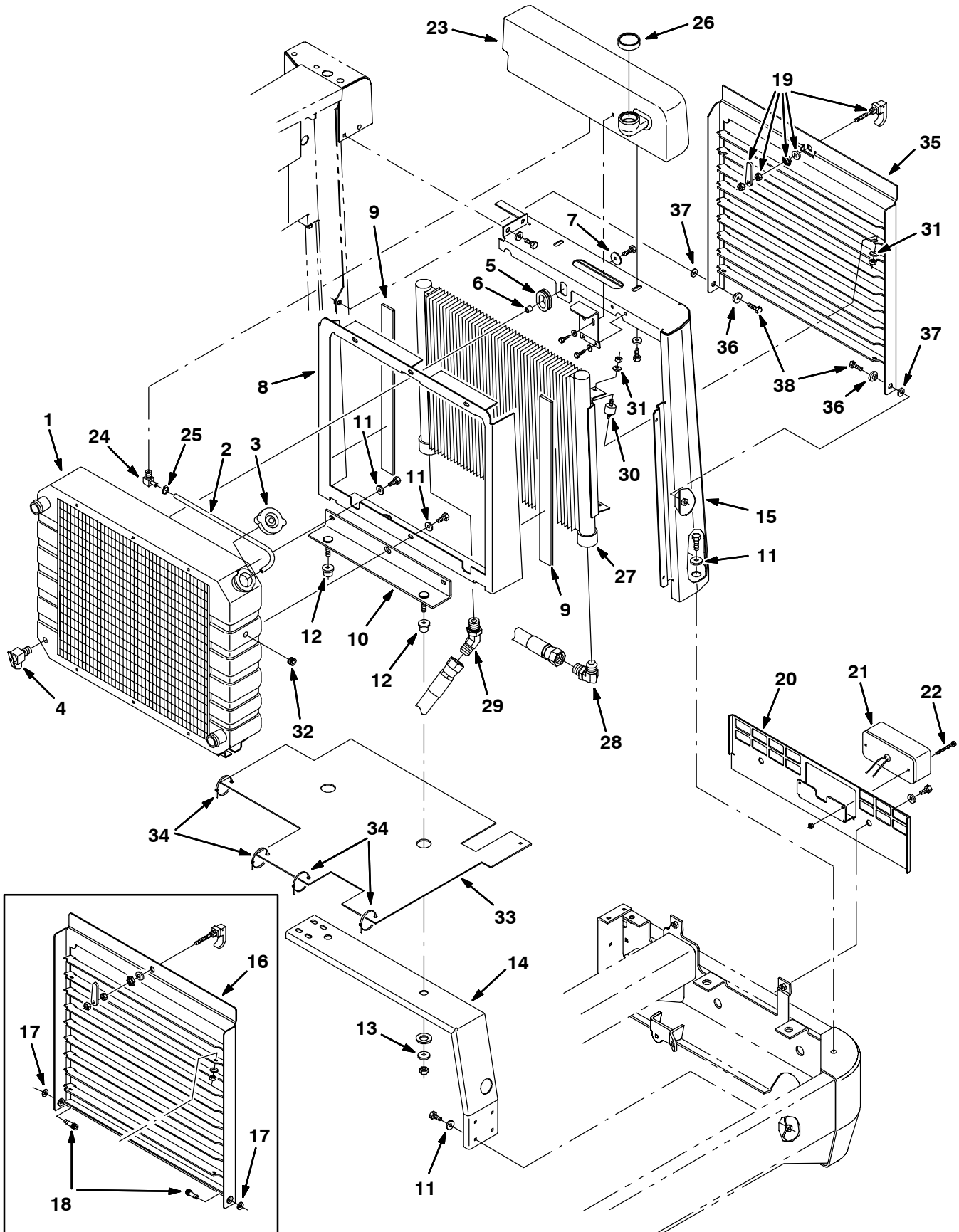


Fig. 27 - Engine Radiator and Hydraulic Cooler Group (013228- )

Ref.	Part No.	Serial Number	Description	Qty.
▽ 1	1018063AM	(013228-	) Radiator, F/1018063 Afmkt	1
▲ 2	61683	(013228-	) Hose	1
3	368132	(013228-	) Cap, Radiator, 15psi, [Stant #a02502]	1
4	51305	(013228-	) Drain Cock,.25Npt Wh#120 Angl	1
5	10632-14	(013228-	) Grommet,Rbr,1.00Id,For .12Matl	1
6	22140	(013228-	) Sleeve, .370B .50D .50 Butwcd	1
7	30013	(013228-	) Washer-Flt .31 Fender Pltd	1
8	1013941	(013228-	) Shroud, Duct, Air	1
9	63818	(013228-	) Seal, Duct	2
10	84136	(013228-	) Plate, Mtg, Radiator	1
11	41186	(013228-	) Washer-Belleville .31 Pltd	11
12	54274	(013228-	) Isolator-Vibration,125Lb.Ratng	2
13	13248	(013228-	) Washer .400B 1.12D .12Cr Znc	4
14	72688	(013228-	) Channel, Mounting, Radiator	1
15	84127	(013228-	) Tower Wldt, Corner	1
16	84132	(013228-014023	) Grill Wldt, Rear	1
17	43611	(013228-014023	) Washer, .391B .75D .06Nylon	1
18	02129	(013228-014023	) Scr-Shld .375Dx0.38L .31-18	1
19	20838	(013228-	) Fastener, Southco #62-10-102-30	1
20	1014689	(013228-	) Plate, Mtg, Channel	1
21	84030	(013228-	) Taillight Assy, W/Quick Disc	1
22	393203	(013228-	) Screw, Chz, M 5 X 0.8 X 55, 4.8	2
23	83784	(013228-	) Tank, Radiator Fill	1
24	08228	(013228-	) Ftg. Brass, Elb, 0.4Npt-.04 Brb	1
25	43844	(013228-	) Clamp-Wormdrive, 0.25-0.62D	1
26	83844	(013228-	) Cap, Tank, Overflow	1
27	84134	(013228-	) Cooler, Hydraulic	1
28	53077	(013228-	) Ftg-Hyd E90 Jm16/Om16	1
29	57479	(013228-	) Ftg-Hyd E45	1
30	51322	(013228-	) Isolator-Vibration .31-18	4
31	43952	(013228-	) Washer-Loc int .31 Ss	8
32	02247	(013228-	) Fitting, Plug	1
33	1012199	(013228-	) Skirt, Recirculation	1
34	49266	(013228-	) Tie, Cable, Nyl, 07.3l .19w 1.8 Max D	4
35	84129	(014024-	) Grill, Rear	1
36	80950	(014024-	) Bushing, Flng, 0.32b 0.50d 0.24l, Bnz	2
37	32490	(014024-	) Washer, Flat, 0.25 Std	2
38	76955	(014024-	) Screw, Hex, .31-18 X 1.00, 5	2

**Fig. 28 - Engine Radiator Housing and Fan Motor Group (000000-014999)**

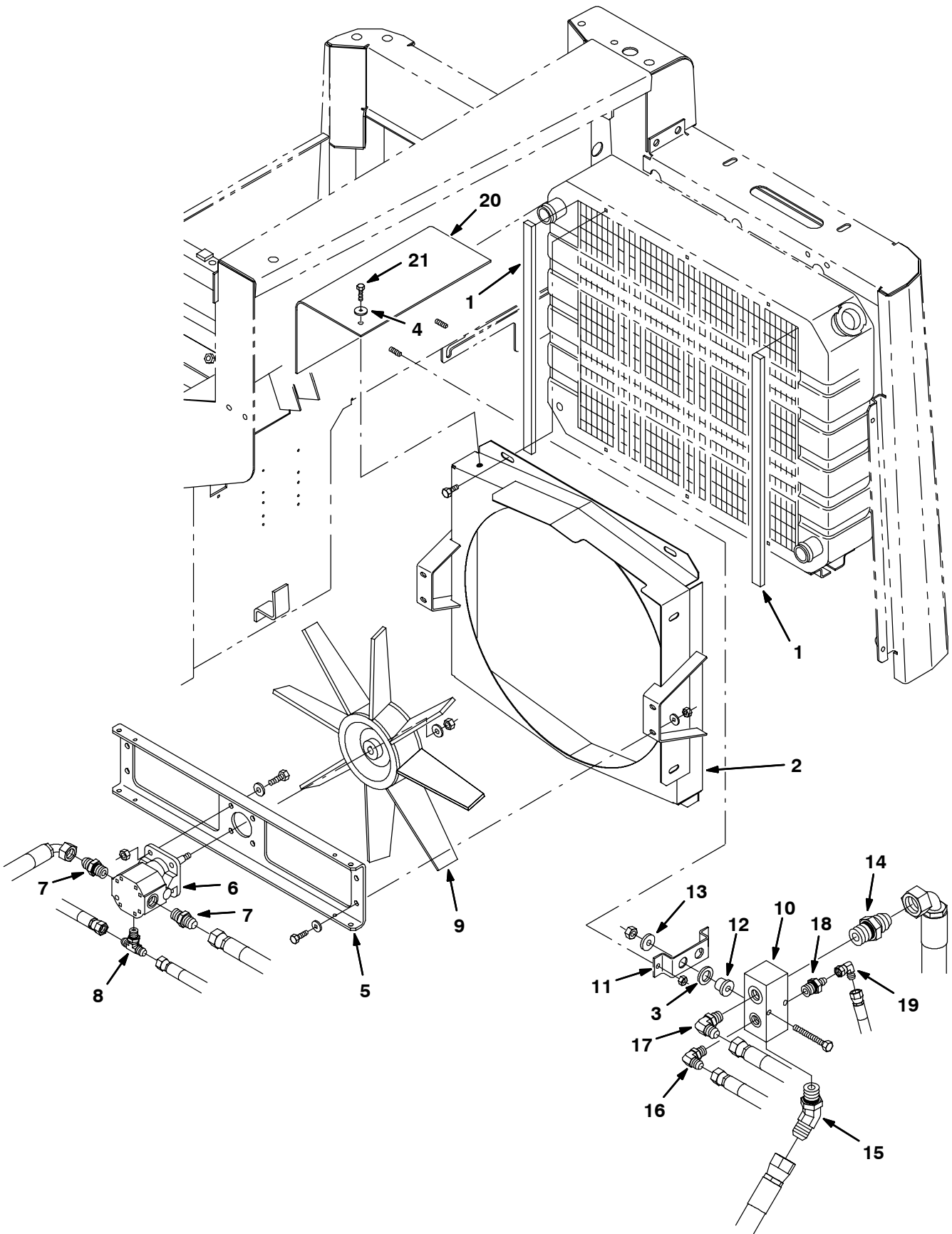


Fig. 28 - Engine Radiator Housing and Fan Motor Group (000000-014999)

Ref.	Part No.	Serial Number	Description	Qty.
1	48629	(000000-014999 )	Seal,Foam Rbr, .38 .75W 18.2L	2
2	9001070	(000000-014999 )	Shroud, Fan, Radiator, W/ Label	1
3	39350	(000000-014999 )	Washer-Flt .75	2
4	41178	(000000-014999 )	Washer-Flt .25 Fender Pltd	1
5	1018919	(000000-014999 )	Channel, Mtg, Fan Motor	1
6	73098	(000000-014999 )	Motor, Hyd Gear Ex 0.26 R3000 (See Breakdown)	1
7	52402	(000000-014999 )	Ftg-Hyd Str Jm06/Om08	2
8	31599	(000000-014999 )	Ftg-Hyd Tee Jm04Omjm	1
9	375586	(000000-014999 )	Fan, Radiator	1
10	73108	(000000-014999 )	Manifold, Hyd Collector	1
11	10740	(000000-014999 )	Bracket, Support	1
12	54274	(000000-014999 )	Isolator-Vibration,125Lb.Ratng	2
13	13248	(000000-014999 )	Washer .400B 1.12D .12Cr Znc	2
14	52929	(000000-014999 )	Ftg-Hyd Str Jm16/Om16	1
15	16081	(000000-014999 )	Ftg-Hyd E45 Jm12/Om12	1
16	56820	(000000-014999 )	Ftg-Hyd E90 Jm06/Om06	1
17	44868	(000000-014999 )	Ftg-Hyd E90 Jm08/Om08	1
18	55686	(000000-014999 )	Ftg-Hyd Str Jm04/Om08	1
19	39210	(000000-014999 )	Ftg-Hyd E90 Jm04/Jf04	1
20	75375	(000000-014999 )	Flap, Containment	1
21	06943	(000000-014999 )	Scr Hex M6X1.0	1

**Fig. 29 - Engine Radiator Housing and Fan Motor Group (015000- )**

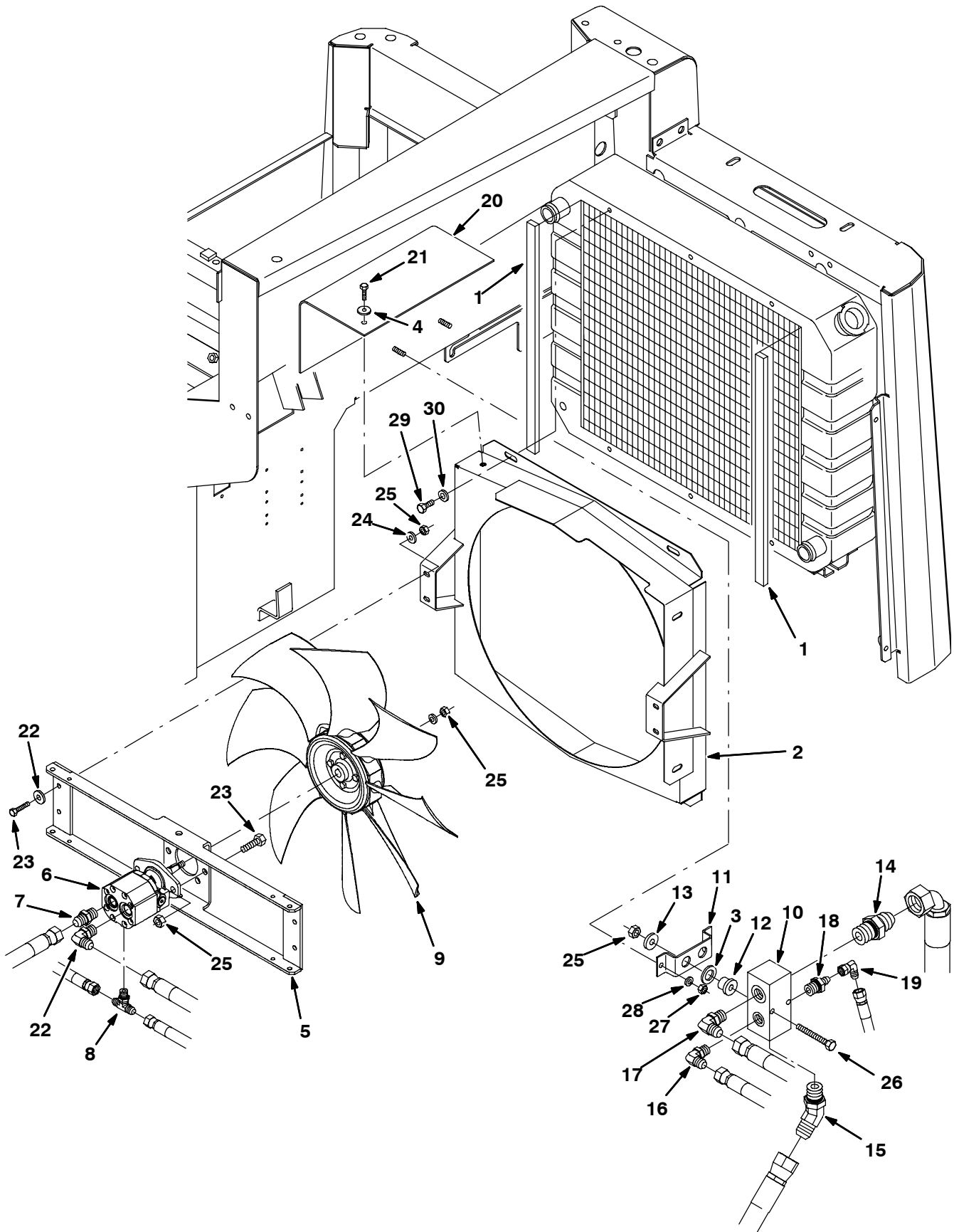




Fig. 29 - Engine Radiator Housing and Fan Motor Group (015000- )

Ref.	Part No.	Serial Number	Description	Qty.
1	48629	(015000-	) Seal,Foam Rbr, .38 .75W 18.2L	2
2	9001070	(015000-	) Shroud, Fan, Radiator, W/ Label	1
3	39350	(015000-	) Washer-Flt .75	2
4	41178	(015000-	) Washer-Flt .25 Fender Pltd	1
5	1033344	(015000-	) Bracket Wldt, Mtg, Motor [2007]	1
6	71719	(015000-	) Motor, Hyd, Gear, Ext 0.29 Rh 3000	1
7	52402	(015000-	) Ftg-Hyd Str Jm06/Om08 (See Breakdown)	1
8	31599	(015000-	) Ftg-Hyd Tee Jm04Omjm	1
9	1033497	(015000-	) Fan, Cooling, 18.0d, 8 Blade, 0.5b Taper	1
10	73108	(015000-	) Manifold, Hyd Collector	1
11	10740	(015000-	) Bracket, Support	1
12	54274	(015000-	) Isolator-Vibration,125Lb.Ratng	2
13	13248	(015000-	) Washer .400B 1.12D .12Cr Znc	2
14	52929	(015000-	) Ftg-Hyd Str Jm16/Om16	1
15	16081	(015000-	) Ftg-Hyd E45 Jm12/Om12	1
16	56820	(015000-	) Ftg-Hyd E90 Jm06/Om06	1
17	44868	(015000-	) Ftg-Hyd E90 Jm08/Om08	1
18	55686	(015000-	) Ftg-Hyd Str Jm04/Om08	1
19	39210	(015000-	) Ftg-Hyd E90 Jm04/Jf04	1
20	75375	(015000-	) Flap, Containment	1
21	06943	(015000-	) Scr Hex M6X1.0	1
22	47512	(015000-	) Fitting, Hyd, E90, Jm06/Om08	1
23	39277	(015000-	) Screw, Hex, M8 X 1.25 X 25, 8.8	6
24	32491	(015000-	) Washer, Flat, 0.31, Std	8
25	08709	(015000-	) Nut, Hex, Lock, M8 X 1.25, NI	9
26	06958	(015000-	) Screw, Hex, M8 X 1.25 X 80, 8.8	2
27	08708	(015000-	) Nut, Hex, Lock, M6 X 1.00, NI	2
28	19066	(015000-	) Washer, Flat, #10	2
29	16735	(015000-	) Screw, Hex, M8 X 1.25 X 16, 8.8	4
30	41186	(015000-	) Washer, Flat, Belleville, .31	4

**Fig. 30 - Engine Radiator Hose and Hydraulic Filter Group (012180-013227)**

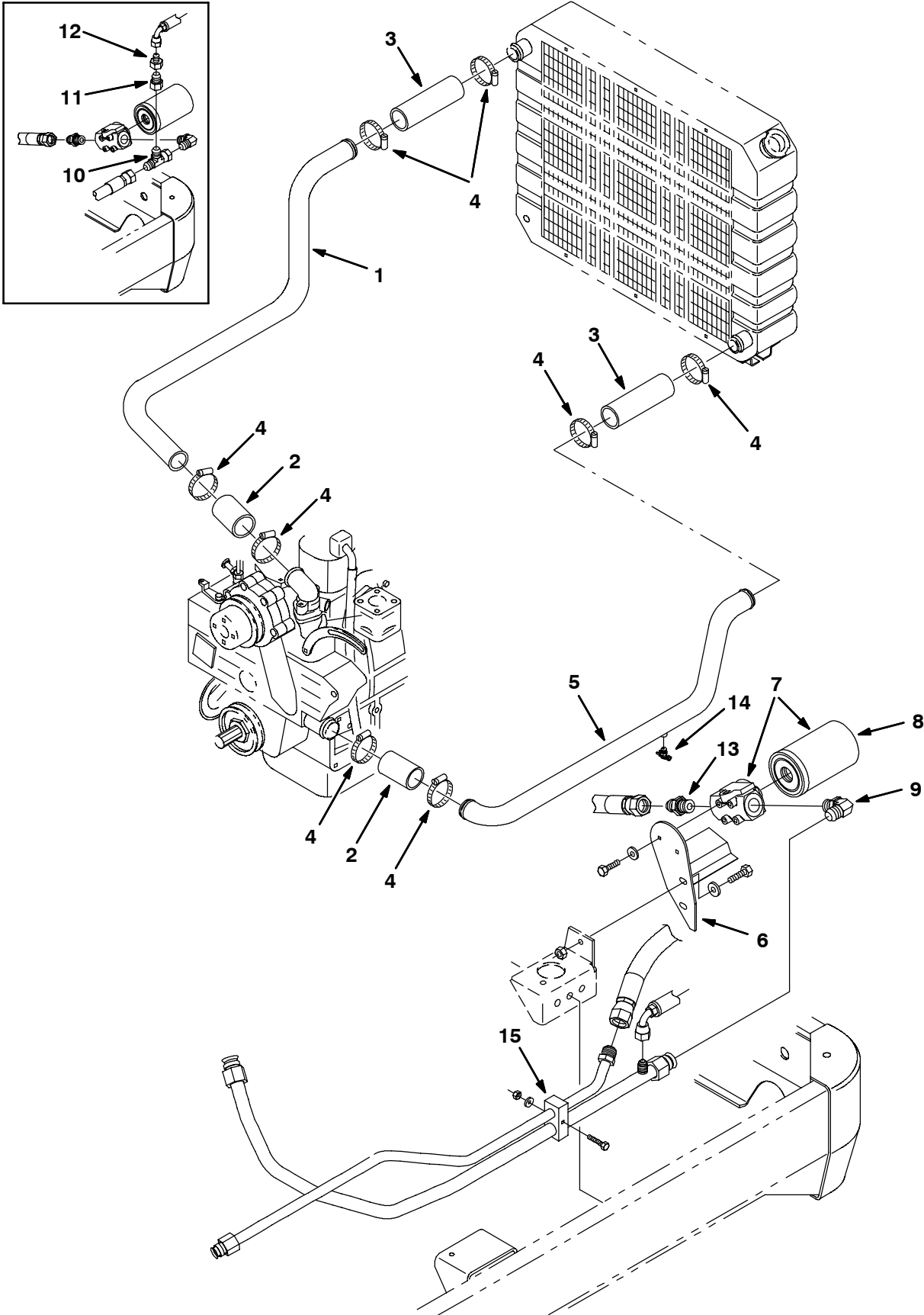


Fig. 30 - Engine Radiator Hose and Hydraulic Filter Group (012180-013227)

Ref.	Part No.	Serial Number	Description	Qty.
1	73282	(000000-013227 )	Tube, Radiator, Upper, Diesel	1
2	62377	(000000-013227 )	Hose Radiator, 1.50 Idx 3.0 Lg	2
3	78750	(000000-013227 )	Hose, Radiator 1.50ld X 6.0Lg	2
4	79381	(000000-013227 )	Clamp Wormdrive, 1.25-2.00	8
5	73283	(000000-013227 )	Tube, Radiator, Lower, Diesel	1
6	77374	(000000-013227 )	Bracket Wldt	1
7	10664	(000000-013227 )	Filter Assy, Spin-On	1
8	65221	(000000-013227 )	Element, Filter	1
9	52142	(000000-013227 )	Ftg-Hyd E90 Jm16/Om12	1
10	73113	(000000-012574 )	Fitting-Hyd Tee	1
11	35002	(000000-012574 )	Ftg-Hyd Str See60054 Jm12/Jf16	1
12	78143	(000000-012574 )	Ftg-Hyd Str Jm08/Jf12	1
13	34357	(000000-013227 )	Ftg-Hyd Str Jm16/Om12	1
14	54911-32	(000000-013227 )	Drain Cock, .25NPT	1
15	84169	(012513-013227 )	Clamp-Tube 2 Hole	1

Fig. 31 - Engine Radiator Hose and Hydraulic Filter Group (013228- )

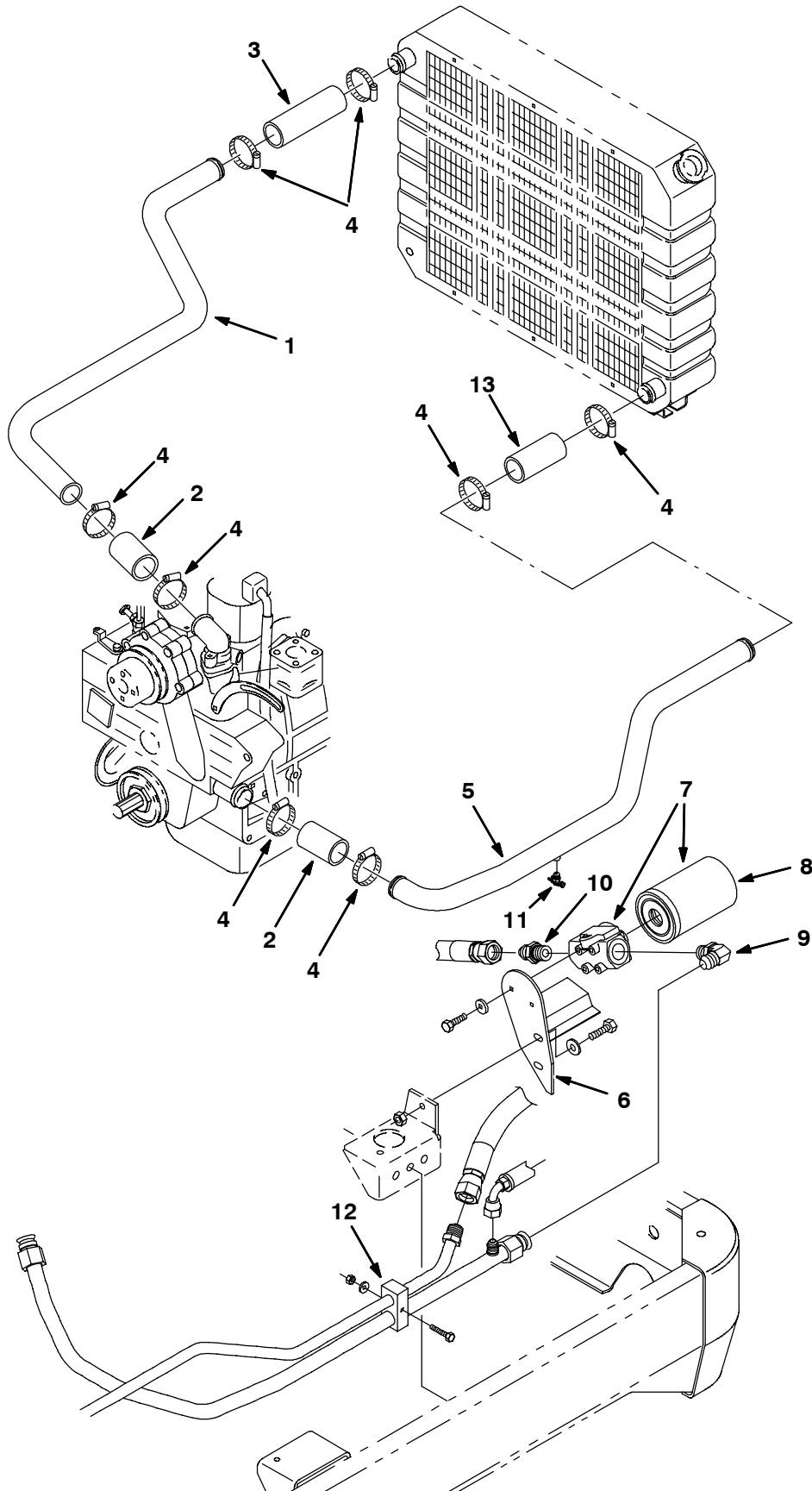


Fig. 31 - Engine Radiator Hose and Hydraulic Filter Group (013228-

)

Ref.	Part No.	Serial Number	Description	Qty.	
1	392626	(013228-	) Tube, Radiator, Upper, Diesel	1	
2	62377	(013228-	) Hose Rbr, 1.50 id 1.88od 3.0l	2	
3	78750	(013228-	) Hose, Rbr 1.50id 1.88od 6.0l	1	
4	79381	(013228-	) Clamp Wormdrive, 1.25-2.00	8	
5	392627	(013228-	) Tube, Radiator, Lower, Diesel	1	
6	77374	(013228-	) Bracket Wldt	1	
▽	7	10664	(013228-	) Filter Assy, Spin-On	1
▲	8	65221	(013228-	) Element, Filter	1
9	52142	(013228-	) Ftg-Hyd E90 Jm16/Om12	1	
10	34357	(013228-	) Ftg-Hyd Str Jm16/Om12	1	
11	54911-32	(013228-	) Drain Cock, .25NPT	1	
12	84169	(013228-	) Clamp-Tube 2 Hole	1	
13	74944	(013228-	) Hose, Rbr 1.50id 1.88od 4.0l	1	

Fig. 32 - Engine Battery Group

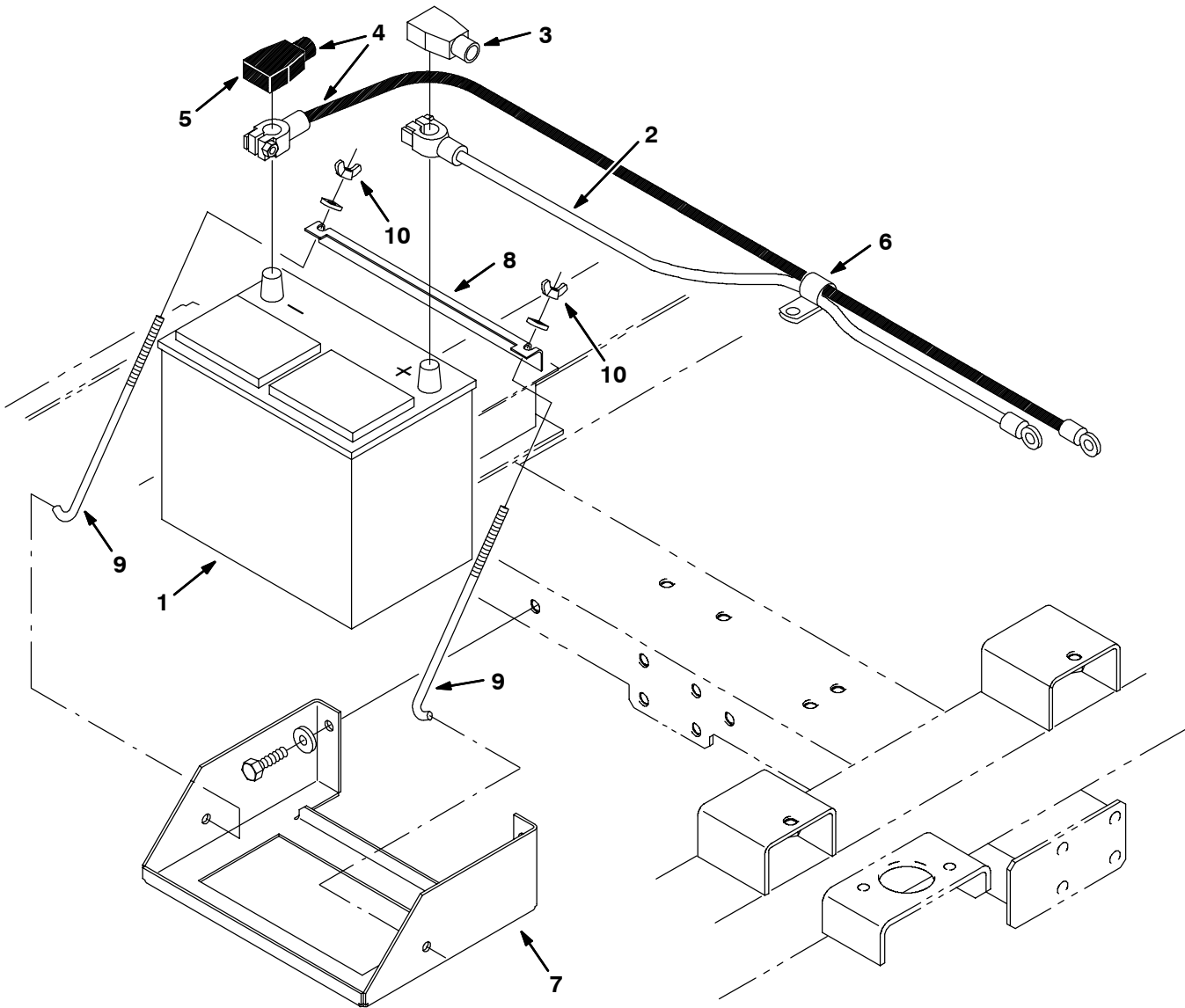


Fig. 32 - Engine Battery Group

Ref.	Part No.	Serial Number	Description	Qty.	
1	10143	(000000-	) Battery, 12V, Cc Amps:600 Wet	1	
2	60294	(000000-	) Wire, 78.0 Lg 2Ga, Pos	1	
3	68873	(000000-	) Boot,Batt.Term. 1-2Ga. Red	1	
▽	4	60293	(000000-	) Wire, 42.0 Lg, 2Ga, Neg	1
▲	5	68872	(000000-	) Boot,Batt.Term.1-2Ga. Black	1
6	69234	(000000-	) Clamp-Cable, 1.00Dia. .62Wth	1	
7	10606	(000000-	) Tray, Battery	1	
8	72977	(000000-	) Angle, Battery	1	
9	13015	(000000-	) Bolt, Hold Down, Battery, 7.5 Lg	2	
10	39272	(000000-	) Nut-Wing .31-18 Pltd	2	

Fig. 33 - Wheel Group, Rear Drive

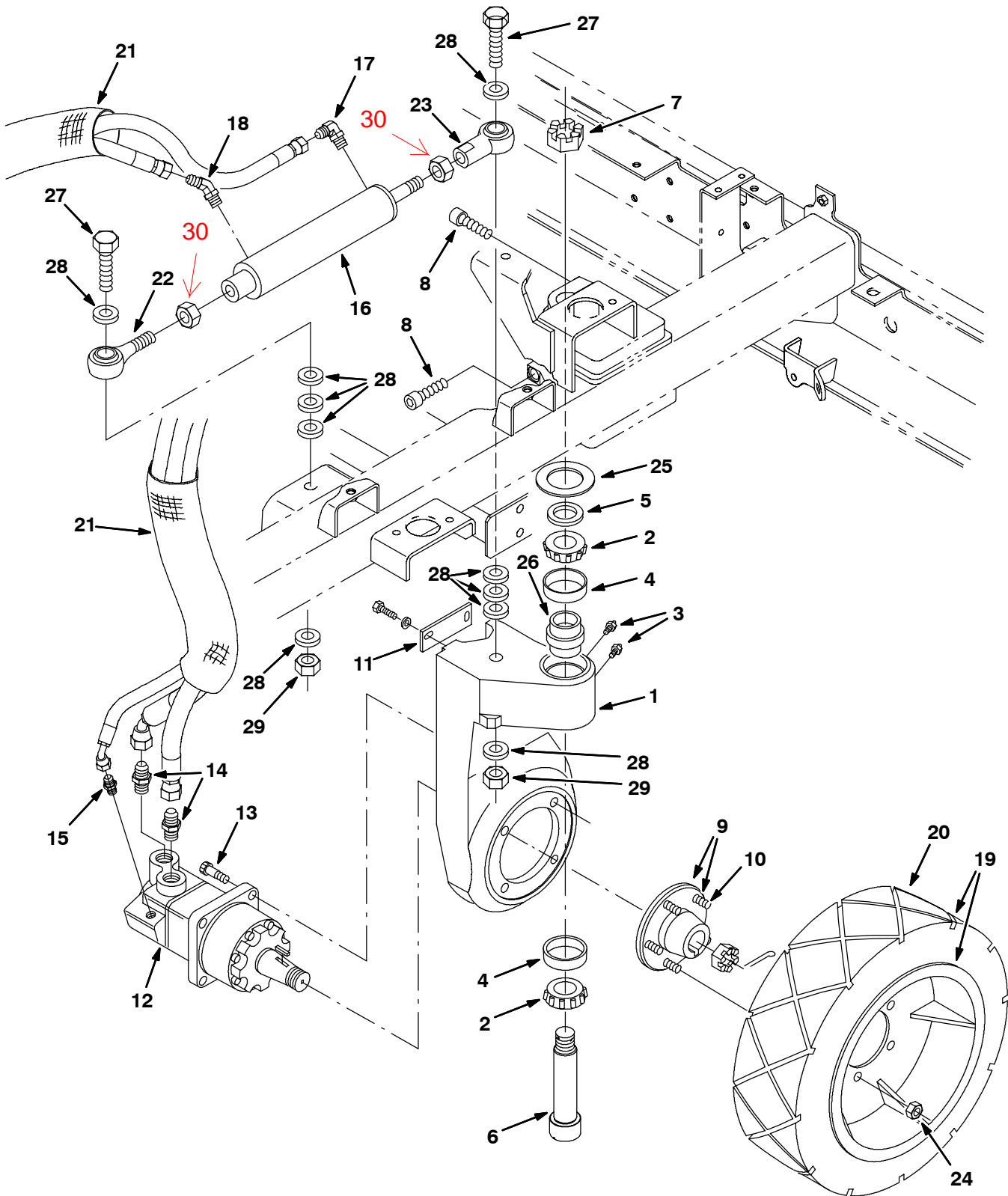




Fig. 33 - Wheel Group, Rear Drive

Ref.	Part No.	Serial Number	Description	Qty.	
1	374565	(000000-012332 )	Replm. Kit, Rear Drive Housing	1	
1	374561	(012333- )	Housing, Rear Drive Support	1	
2	51339	(000000- )	Bearing-Cone, 1.38Bore 0.71Wth	2	
3	47801	(000000- )	Ftg, Grease.25-28Th Strt .63L	3	
4	51338AM	(000000- )	Bearing-Cup , 2.56Dia 0.55Wth	2	
5	54051	(000000- )	Washer, Thrust	1	
6	73281	(000000- )	Pin, Support, Wheel, Rear	1	
7	54052	(000000- )	Nut-Hex Slot 1.12-18	1	
8	72926	(000000- )	Scr-Soc M16X2.0 50 12.9Pltd	2	
▽	9	54087	(000000- )	Hub & Stud	1
▲	10	54086	(000000- )	Stud, Wheel .50-20X1.50 pLTD	5
11	58842	(000000- )	Plate - Hose Support	1	
12	74162	(000000-012147 )	Motor, Hyd Gear In 19.0 (See Breakdowns)	1	
12	22604	(012148- )	Motor, Hyd Gear In 19.0 (See Breakdowns)	1	
13	19583	(000000- )	Scr Soc .50-13X1.50	4	
14	42223	(000000- )	Ftg-Hyd Str Jm10/Om12	2	
15	55586	(000000- )	Ftg-Hyd Str Jm04/Om04	1	
▽	16	53601	(000000-014376 )	Cylinder, Hyd, 2.0b,15.0l, Rep.By1028492	1
▲	04483	(000000-014376 )	Seal Kit, Cyl, Hyd	1	
16	1028492	(014377- )	Cylinder, Hyd, 2.0b 15.0l 08.00strk 1500	1	
17	56820	(000000- )	Ftg-Hyd E90 Jm06/Om06	1	
18	47522	(000000- )	Ftg-Hyd E45 Jm06/Om06	1	
▽	19	84597	(000000- )	Tire & Wheel Assy	1
▲	20	84596	(000000- )	Tire, Solid, 18X6X12.125	1
21	82832	(000000- )	Sleeve, Nyl	2	
22	64886	(000000- )	Balljoint, Rod End	1	
23	64887	(000000- )	Balljoint, Rod End	1	
24	24339	(000000- )	Nut Wheel .50-20 60 Angle	5	
25	374563	(012333- )	Washer 2.156B 3.50 Od .156 Felt	1	
26	374560	(012333- )	Seal, Rear Drive Grease Cavity	1	
27	77345	(000000- )	Screw, Hex, .75-10 X 3.25, G5	2	
28	39350	(000000- )	Washer, Flat, 0.75, Sae	10	
29	32987	(000000- )	Nut, Hex, Lock, .75-10, NI	2	
30	43958	(000000- )	Nut, Hex, Std	2	

**Fig. 34 - Wheels and Brakes Group, Front**

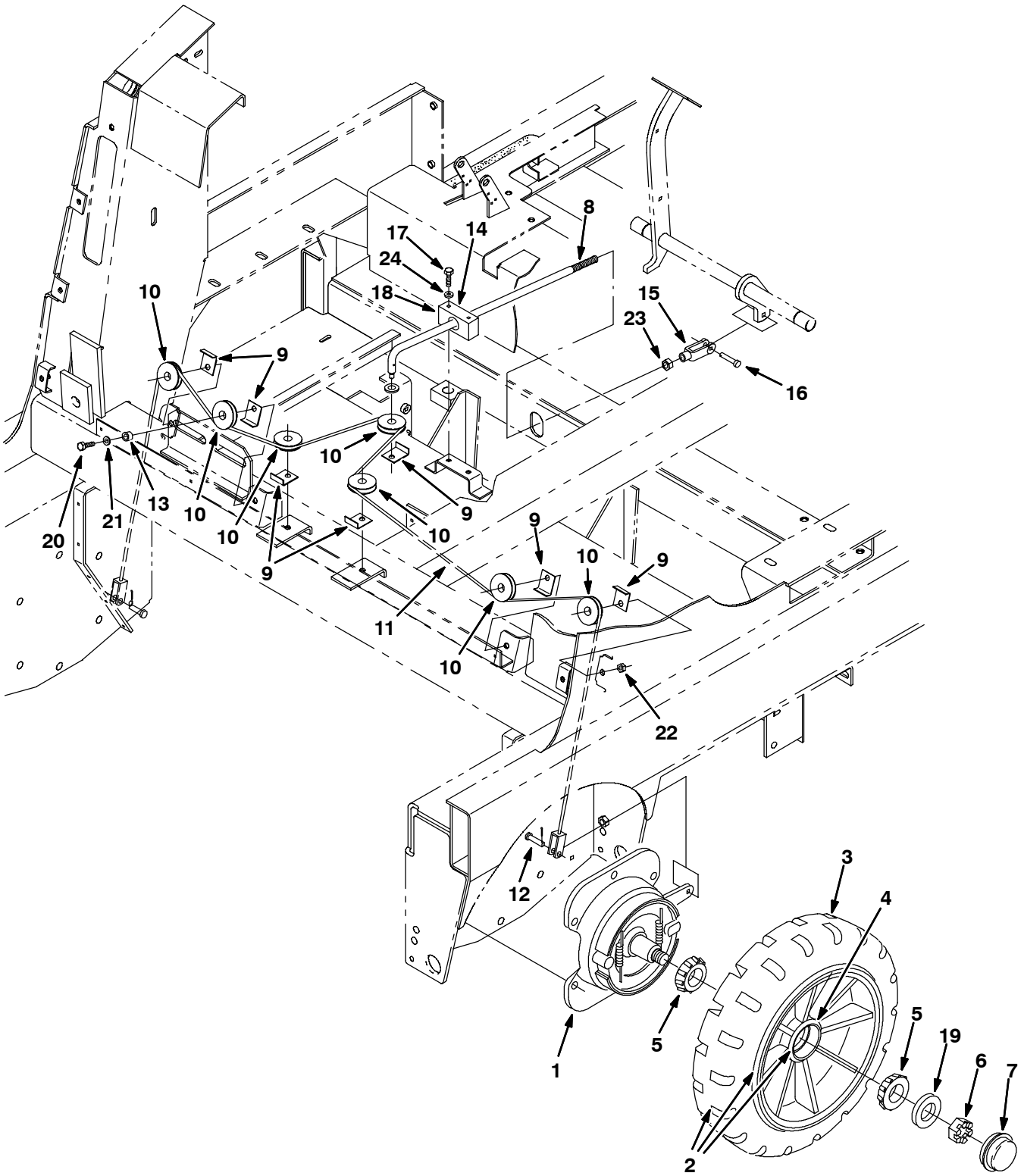


Fig. 34 - Wheels and Brakes Group, Front

Ref.	Part No.	Serial Number	Description	Qty.
▽	1	54577	(000000- ) Brake Assy, Drum, Mech, 07.9d [6600]]	2
▲		66211	(000000- ) Shoe Set, Brake [1 Set=1pkg=2 Shoes]	2
▲▽		66213	(000000- ) Brake Kit, Repair	1
▲▲		70161	(000000- ) Shaft	1
▲		70158	(000000- ) Spring	2
▽	2	54437	(000000- ) Tire Assy, Solid, 18.0x5.0 1.56b	2
▲	3	54567	(000000- ) Tire, Solid, 18.0 X 5.0 X 12.1 [No Rim]	1
▲	4	51338AM	(000000- ) Bearing, Cup, 2.56d 0.55w	2
	5	51339	(000000- ) Bearing, Cone, 1.38b 0.71w	4
	6	14242	(000000- ) Nut, Hex, Slted, 1.00-20	2
	7	54390	(000000- ) Cap, Hub, Dust 2.57d 0.77l	2
	8	72735	(000000- ) Rod	1
	9	54400	(000000- ) Bracket, Angle, Keeper, Cable	7
	10	369781	(000000- ) Pulley, Cable, 1.5d Nyl	7
	11	398208	(000000- ) Cable, Ss .19d 082.1l .4clevis /.4clevis	1
	12	09088	(000000- ) Pin, Clevis, 0.37d X 1.00l	2
	13	56624	(000000- ) Spacer Rep.By222460	6
	14	363215	(000000- ) Bearing, Pillowblock, 1.02b [Solid Pye]	1
	15	54467	(000000- ) Clevis, Adj, 0.38pin, M12x1.75	1
	16	86240	(000000- ) Pin, Clevis, 0.38d X 1.13l	1
	17	222504	(000000- ) Screw, Hex, M8 X 1.25 X 55, Ss	2
	18	32491	(000000- ) Washer, Flat, 0.31, Std	2
	19	32969	(000000- ) Washer, Flat, 1.00 Sae	2
	20	09023	(000000- ) Screw, Hex, M8 X 1.25 X 35, Ss, Fl	6
	21	39349	(000000- ) Washer, Flat, 0.31 Sae	6
	22	08713	(000000- ) Nut, Hex, Lock, M8 X 1.25, NI, Ss	2
	23	39313	(000000- ) Nut, Hex, Std, M12 X 1.75	1
	24	32490	(000000- ) Washer, Flat, 0.25 Std	2

Fig. 35 - Brake Pedals Group

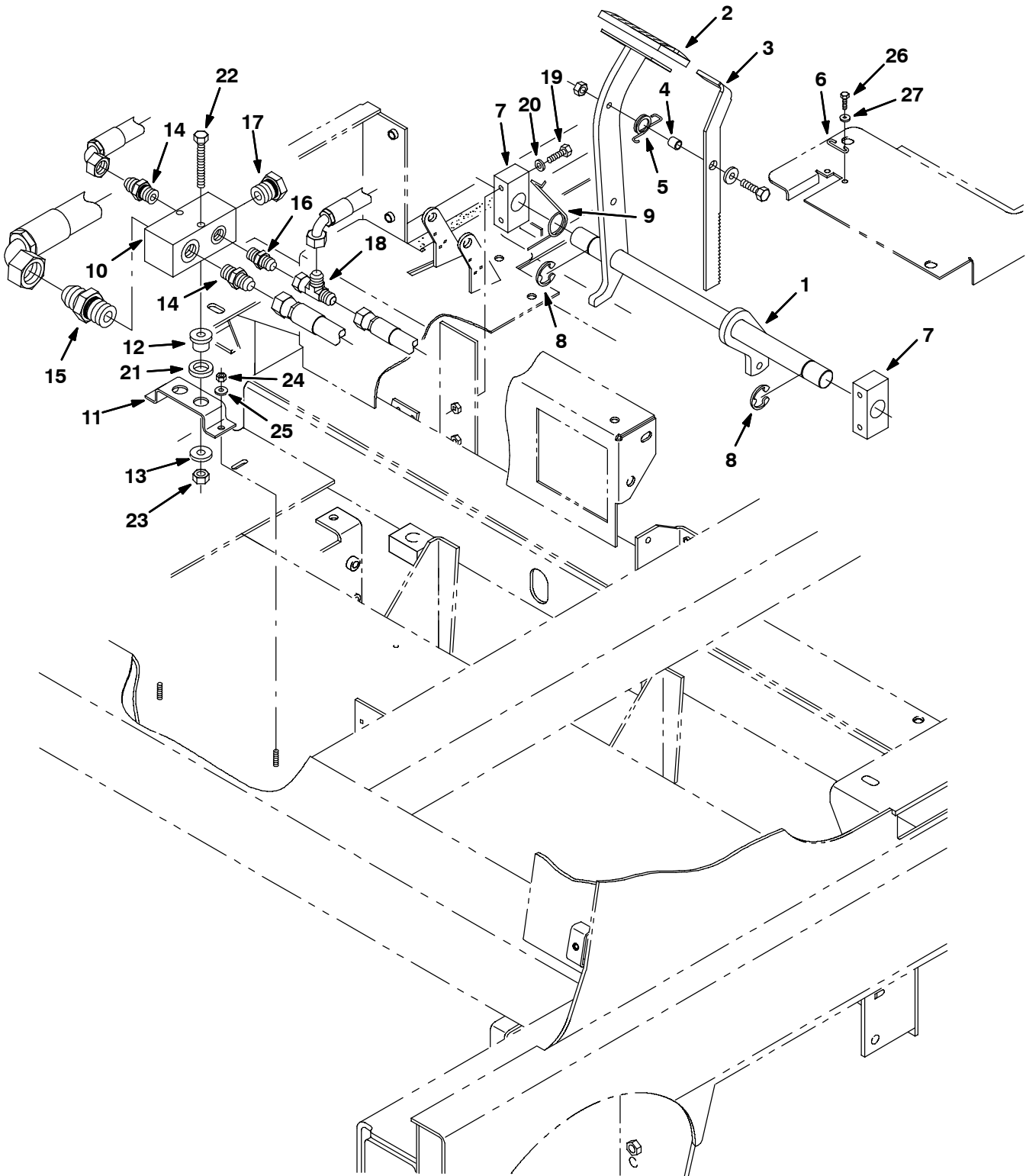


Fig. 35 - Brake Pedals Group

Ref.	Part No.	Serial Number	Description	Qty.
1	22727	(000000-	) Shaft Wldt, Brake	1
2	51109	(000000-	) Pad	1
3	22731	(000000-	) Pedal, Brake Lock	1
4	46563	(000000-	) Bshg,Sleeve,0.37Bx0.50Odx0.50L	1
5	59009	(000000-	) Spring, Tors 0.75D 1.00L .060W	1
6	97031	(000000-	) Spring, Parking Brake	1
7	363215	(000000-	) Bearing, Brake	2
8	23788	(000000-	) Ring,Retain,Ex,0.98Od,E-Ring	2
9	54607	(000000-	) Spring, Torsion	1
10	73108	(000000-	) Manifold, Hyd Collector	1
11	10740	(000000-	) Bracket, Support	1
12	54274	(000000-	) Isolator-Vibration,125Lb.Ratng	2
13	13248	(000000-	) Washer .400B 1.12D .12Cr Znc	2
14	44869	(000000-	) Ftg-Hyd Str Jm08/Om08	2
15	67310	(000000-	) Fitting-Hyd Str	1
16	55685	(000000-	) Ftg-Hyd Str Jm04/Om06	1
17	33817	(000000-	) Ftg-Hyd Plg Om12	1
18	57988	(000000-	) Ftg-Hyd Tee Jm04Jmjf	1
19	222504	(000000-	) Scr Hex Ssm M8X55	4
20	32491	(000000-	) Washer Flat .31	4
21	39350	(000000-	) Washer Flat .75	2
22	06958	(000000-	) Screw, Hex, M8 X 1.25 X 80, 8.8	2
23	08709	(000000-	) Nut, Hex, Lock, M8 X 1.25, NI	2
24	08708	(000000-	) Nut, Hex, Lock, M6 X 1.0, NI	2
25	19066	(000000-	) Washer, Flat, #10	2
26	09738	(000000-	) Screw, Hex, M5 X 0.8 X 12, Ss	2
27	01683	(000000-	) Washer, Flat, #10, Ss	2

Fig. 36 - Directional Control Group (000000-013227)

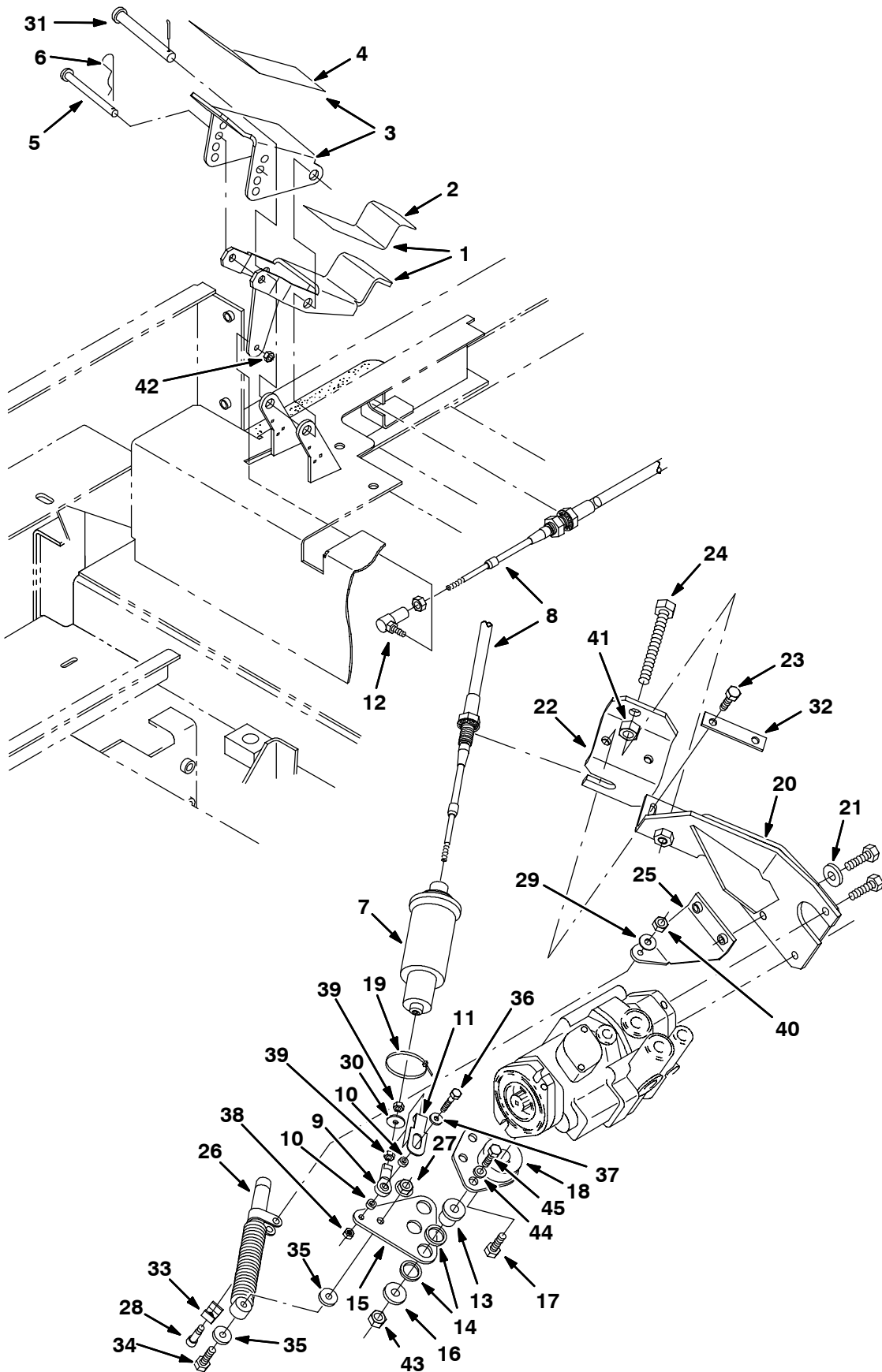


Fig. 36 - Directional Control Group (000000-013227)

Ref.	Part No.	Serial Number	Description	Qty.
▽	1	84102	(000000-013227 ) Pedal, Propel, Lower W/Tread	1
▲	2	82839	(000000-013227 ) Pad, Tread	1
▽	3	84103	(000000-013227 ) Pedal, Propel, Upper W/Tread	1
▲	4	82839	(000000-013227 ) Pad, Tread	1
	5	59672	(000000-013227 ) Pin, Clevis .31 Dia X 4.50 Lg	1
	6	97163	(000000-013227 ) Pin, Hair Cotter 13D 3 Wire	1
	7	63292	(000000-013227 ) Spring, Propel, Centering	1
	8	10539	(000000-013227 ) Replm Kit, Propel Cable	1
	9	68866	(000000-013227 ) Rod End .250-28 .25Dia	1
	10	65441	(000000-013227 ) Spacer, .259Id 375Od .250Lg	2
	11	83887	(000000-013227 ) Bracket, Safety Clip	1
	12	14601	(000000-013227 ) Ball Joint, 250-28	1
	13	54274	(000000-013227 ) Isolator-Vibration,125Lb.Ratng	3
	14	09832	(000000-013227 ) Washer, .812B 1.06D .06Cr.	6
	15	83894	(000000-013227 ) Arm, Propel, Lower 8410	1
	16	13248	(000000-013227 ) Washer .400B 1.12D .12Cr Znc	3
	17	83879	(000000-013227 ) Scr-Hex .31-24X0.75 Nylon Loc	1
	18	83892	(000000-013227 ) Arm Wldt, Propel 8410	1
	19	49266	(000000-013227 ) Tie, Cable 1.75D Max 7.50Lg	1
	20	83989	(000000-013227 ) Bracket, Wldt, Propel Adj.	1
	21	41187	(000000-013227 ) Washer-Belleville .3 Pltd	1
	22	83897	(000000-013227 ) Bracket, Propel Adj. Guide	1
	23	12333	(000000-013227 ) Scr-Hexssm 8X1.25 25 NylInloc	2
	24	84036	(000000-013227 ) Scr-Hex M12X1.75 110 Full Thd	1
	25	73423	(000000-013227 ) Bracket, Shock	1
	26	73411	(000000-013227 ) Shock Absorber	1
	27	08713	(000000-013227 ) Nut-Hxlocnyln M 8X1.25 Reg Ss	1
	28	16213	(000000-013227 ) Scr-Shld .312Dx1.00L .25-20	1
	29	01685	(000000-013227 ) Washer Flt .31 Ss	1
	30	78785	(000000-013227 ) Washer, .250b .88D .06Neopre	1
	31	59668	(000000-013227 ) Pin, Clevis .50 Dia X 4.50 Lg	1
	32	83703	(000000-013227 ) Strip, .12 .8w3 .3l2 .38dia 2.25ctr	1
	33	84170	(000000-013227 ) Bracket, Retainer	1
	34	09023	(000000-013227 ) Screw, Hex, M8 X 1.25 X 35, Ss, Fl	1
	35	01685	(000000-013227 ) Washer, Flat, 0.31 Ss	2
	36	25049	(000000-013227 ) Screw, Hex, .25-20 X 1.75, 5	1
	37	32483	(000000-013227 ) Washer, Flat, 0.25 Sae	1
	38	32981	(000000-013227 ) Nut, Hex, Lock, .25-20, NI	1
	39	01714	(000000-013227 ) Nut, Hex, Std, .25-28	2
	40	75934	(000000-013227 ) Nut, Hex, Lock, .25-20, NI	1
	41	08711	(000000-013227 ) Nut, Hex, Lock, M12 X 1.75,NI	1
	42	13513	(000000-013227 ) Nut, Hex, Lock, .25-28, NI	1
	43	41430	(000000-013227 ) Nut, Hex, Lock, M10 X 1.5, NI	3
	44	32492	(000000-013227 ) Washer, Flat, 0.38 Std	3
	45	39285	(000000-013227 ) Screw, Hex, M10 X 1.5 X 40, 8.8	3

Fig. 37 - Directional Control Group (013228- )

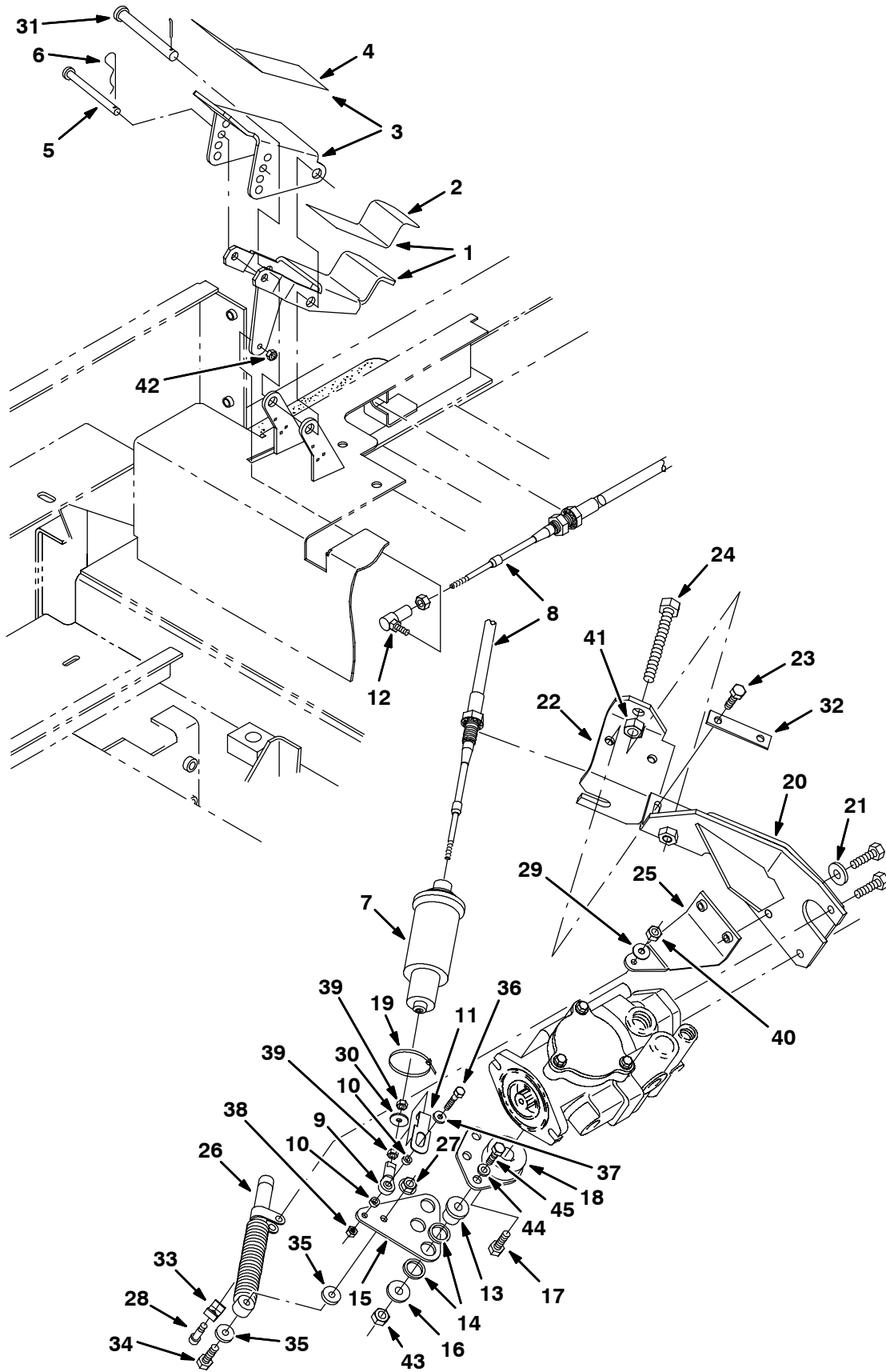




Fig. 37 - Directional Control Group (013228- )

Ref.	Part No.	Serial Number	Description	Qty.
▽	1	84102	(013228- ) Pedal, Propel, Lower W/Tread	1
▲	2	82839	(013228- ) Pad, Tread	1
▽	3	84103	(013228- ) Pedal, Propel, Upper W/Tread	1
▲	4	82839	(013228- ) Pad, Tread	1
	5	59672	(013228- ) Pin, Clevis .31 Dia X 4.50 Lg	1
	6	97163	(013228- ) Pin, Hair Cotter 13D 3 Wire	1
	7	63292	(013228- ) Spring, Propel, Centering	1
	8	10539	(013228- ) Replm Kit, Propel Cable	1
	9	68866	(013228- ) Rod End .250-28 .25Dia	1
	10	65441	(013228- ) Spacer, .259Id 375Od .250Lg	2
	11	83887	(013228- ) Bracket, Safety Clip	1
	12	14601	(013228- ) Ball Joint, 250-28	1
	13	54274	(013228- ) Isolator-Vibration,125Lb.Ratng	3
	14	09832	(013228- ) Washer, .812B 1.06D .06Cr.	6
	15	83894	(013228- ) Arm, Propel, Lower 8410	1
	16	13248	(013228- ) Washer .400B 1.12D .12Cr Znc	3
	17	83879	(013228- ) Scr-Hex .31-24X0.75 Nylon Loc	1
	18	83892	(013228- ) Arm Wldt, Propel 8410	1
	19	49266	(013228- ) Tie, Cable 1.75D Max 7.50Lg	1
	20	83989	(013228- ) Bracket, Wldt, Propel Adj.	1
	21	41187	(013228- ) Washer-Belleville .3 Pltd	1
	22	83897	(013228- ) Bracket, Propel Adj. Guide	1
	23	12333	(013228- ) Scr-Hexssm 8X1.25 25 NylInloc	2
	24	84036	(013228- ) Scr-Hex M12X1.75 110 Full Thd	1
	25	392600	(013228- ) Bracket, Shock	1
	26	73411	(013228- ) Shock Absorber	1
	27	08713	(013228- ) Nut-Hxlocnyln M 8X1.25 Reg Ss	1
	28	16213	(013228- ) Scr-Shld .312Dx1.00L .25-20	1
	29	01685	(013228- ) Washer Flt .31 Ss	1
	30	78785	(013228- ) Washer, .250b .88D .06Neopre	1
	31	59668	(013228- ) Pin, Clevis .50 Dia X 4.50 Lg	1
	32	83703	(013228- ) Strip, .12 .8w3 .3l2 .38dia 2.25ctr	1
	33	84170	(013228- ) Bracket, Retainer	1
	34	09023	(013228- ) Screw, Hex, M8 X 1.25 X 35, Ss, Fl	1
	35	01685	(013228- ) Washer, Flat, 0.31 Ss	2
	36	25049	(013228- ) Screw, Hex, .25-20 X 1.75, 5	1
	37	32483	(013228- ) Washer, Flat, 0.25 Sae	1
	38	32981	(013228- ) Nut, Hex, Lock, .25-20, NI	1
	39	01714	(013228- ) Nut, Hex, Std, .25-28	2
	40	75934	(013228- ) Nut, Hex, Lock, .25-20, NI	1
	41	08711	(013228- ) Nut, Hex, Lock, M12 X 1.75,NI	1
	42	13513	(013228- ) Nut, Hex, Lock, .25-28, NI	1
	43	41430	(013228- ) Nut, Hex, Lock, M10 X 1.5, NI	3
	44	32492	(013228- ) Washer, Flat, 0.38 Std	3
	45	39285	(013228- ) Screw, Hex, M10 X 1.5 X 40, 8.8	3

Fig. 38 - Hydraulic Pumps Group (00000-013227)

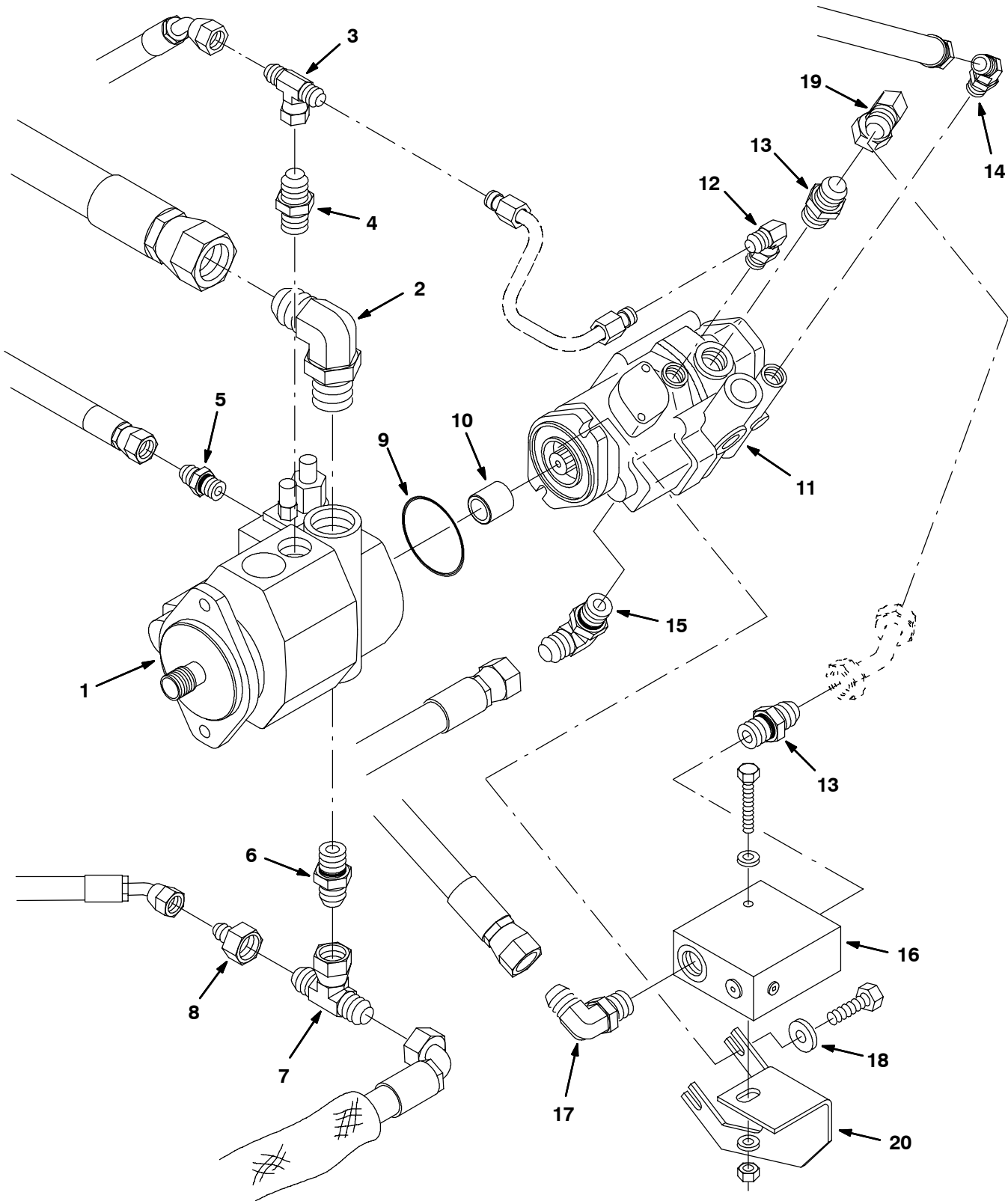


Fig. 38 - Hydraulic Pumps Group (000000-013227)

Ref.	Part No.	Serial Number	Description	Qty.
1	73101	(000000-013227 )	Pump, Hyd Piston L 2.77 R 2500 (See Breakdowns)	1
2	73109	(000000-013227 )	Fitting-Hyd	1
3	76315	(000000-013227 )	Ftg-Hyd Tee Jm08Jfjm	1
4	56835	(000000-013227 )	Ftg-Hyd Str Jm08/Om06	1
5	50960	(000000-013227 )	Ftg-Hyd Str Jm06/Om04	1
6	67310	(000000-013227 )	Fitting-Hyd Str	1
7	62389	(000000-013227 )	Ftg-Hyd Tee Jm12Jfjm	1
8	78143	(000000-013227 )	Ftg-Hyd Str Jm08/Jf12	1
9	65145-1	(000000-013227 )	O-Ring Gland	1
10	73111	(000000-013227 )	Coupler	1
11	79770	(000000-013227 )	Pump, Hyd Piston V 1.24 R 4000 (See Breakdowns)	1
12	42213	(000000-013227 )	Ftg-Hyd E90 Jm08/Om06	1
13	42223	(000000-013227 )	Ftg-Hyd Str Jm10/Om12	2
14	42226	(000000-013227 )	Ftg-Hyd E45 Jm08/Om08	1
15	53076	(000000-013227 )	Ftg-Hyd E90 Jm10/Om12	1
16	73430	(000000-013227 )	Switch, Hyd Flow Sensor (See Breakdowns)	1
17	53076	(000000-013227 )	Ftg-Hyd E90 Jm10/Om12	1
18	41187	(000000-013227 )	Washer-Bellville .38 Pltd	2
19	54194	(000000-013227 )	Ftg-Hyd E90 Jm10/Jf10	1
20	77239	(000000-013227 )	Bracket, Mounting, Flow Switch	1

Fig. 39 - Hydraulic Pumps Group (013228- )

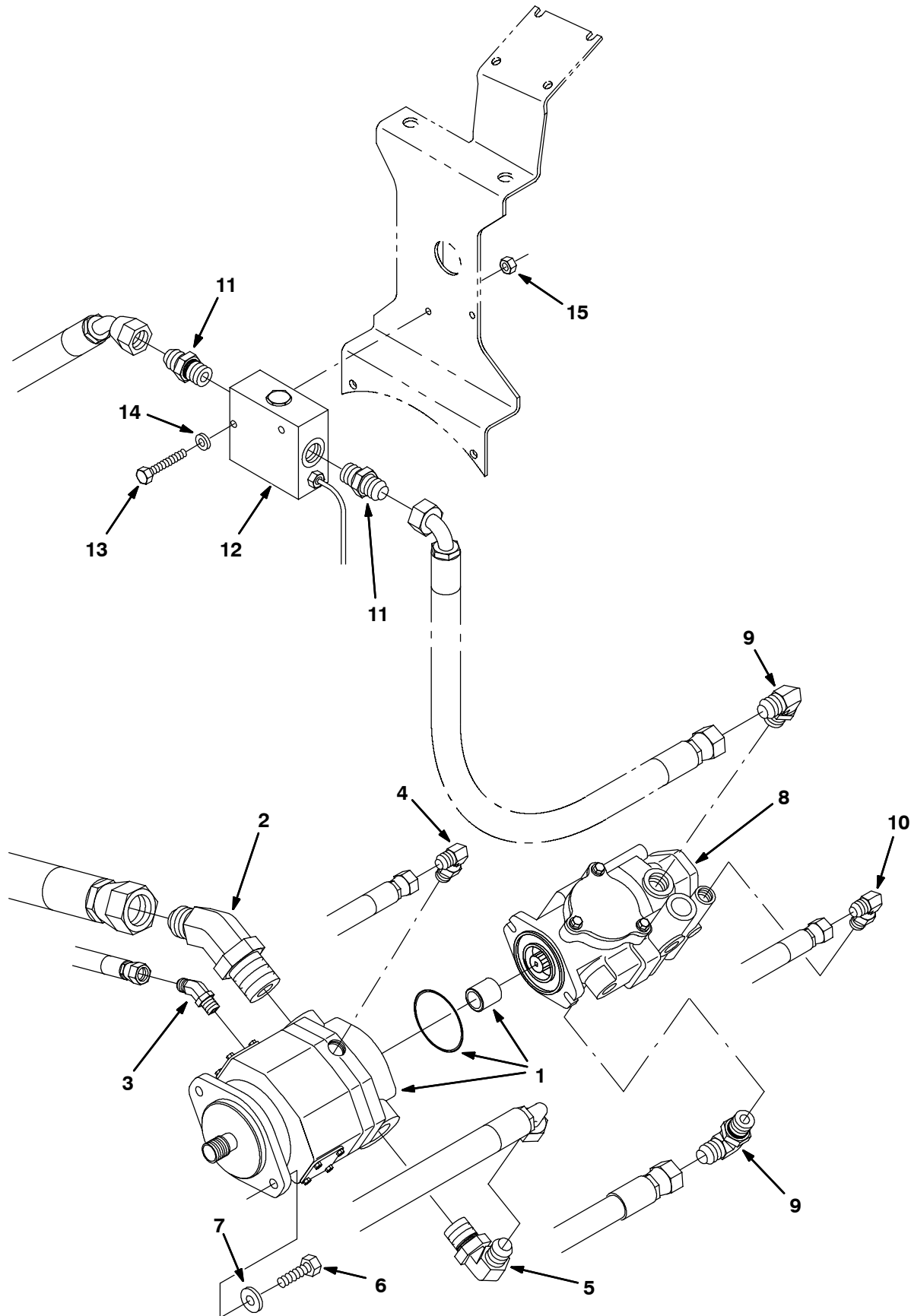


Fig. 39 - Hydraulic Pumps Group (013228- )

Ref.	Part No.	Serial Number	Description	Qty.
1	373486	(013228-	) Pump, Hyd, Piston [L] 2.75 [R] 2500 (See Breakdown)	1
2	392604	(013228-	) Fitting, Hyd, E45, Jm20 /Om24	1
3	392609	(013228-	) Fitting, Hyd, E45, Jm06 /Om04	1
4	56821	(013228-	) Fitting, Hyd, E90, Jm08/Om10	1
5	52911	(013228-	) Fitting, Hyd, E90, Jm12/Om16	1
6	73148	(013228-	) Screw, Hex, M12 X 1.25 X 30, 8.8	2
7	32486	(013228-	) Washer, Flat, .50 Sae	2
8	373485	(013228-	) Pump, Hyd, Piston [V] 1.24 [R] 4000 (See Breakdown)	1
9	53076	(013228-	) Fitting, Hyd, E90, Jm10/Om12	2
10	44868	(013228-	) Fitting, Hyd, E90, Jm08/Om08	1
11	42223	(013228-	) Fitting, Hyd, Str, Jm10/Om12	2
12	73430	(013228-	) Switch	1
13	39279	(013228-	) Screw, Hex, M08 X 1.25 X 70, 8.8	2
14	32491	(013228-	) Washer, Flat, .31 Std	2
15	08709	(013228-	) Nut, Hex, Lock, M08 X 1.25,NI	2

Fig. 40 - Hydraulic Schematic

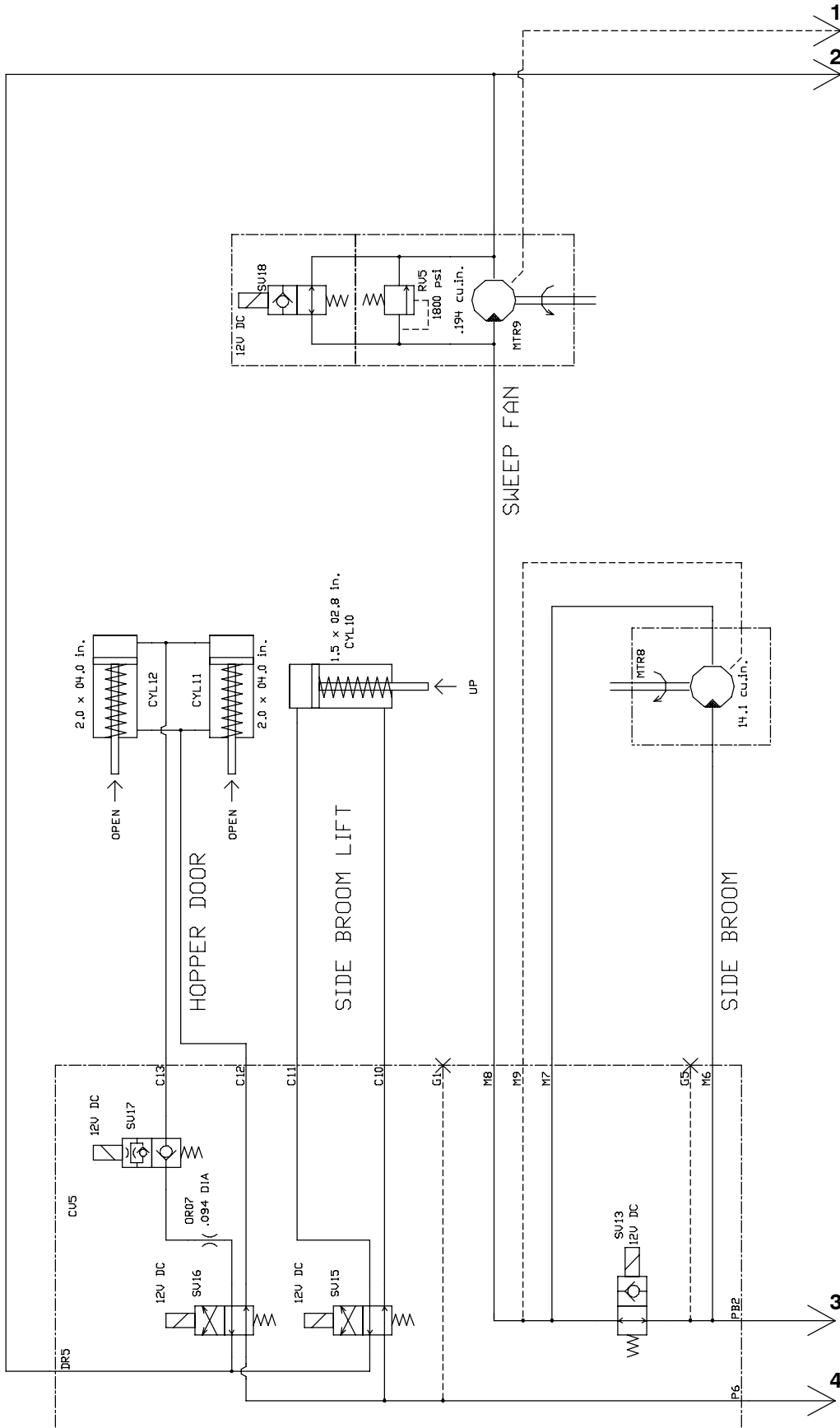


Fig. 40 - Hydraulic Schematic

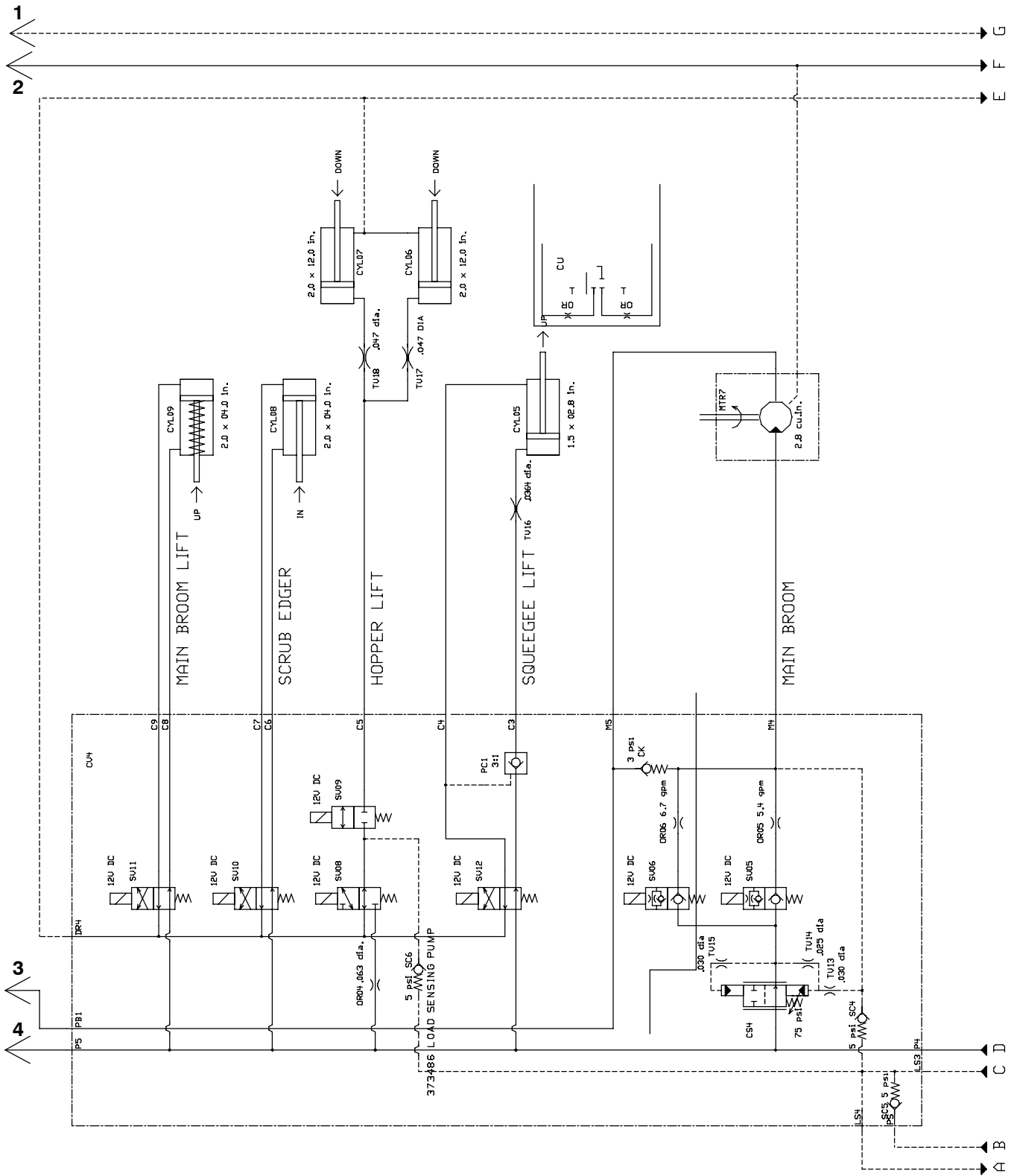


Fig. 40 - Hydraulic Schematic

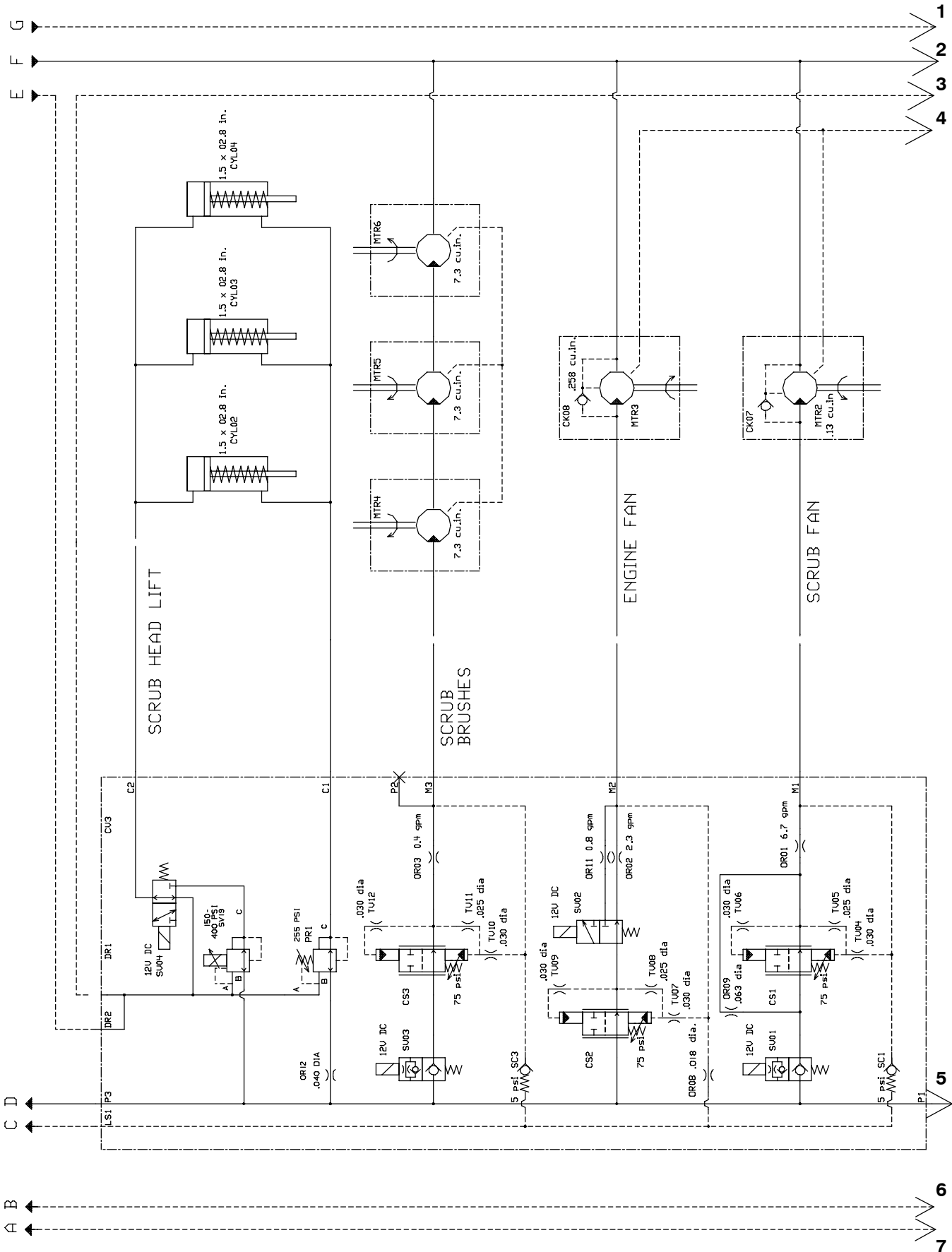
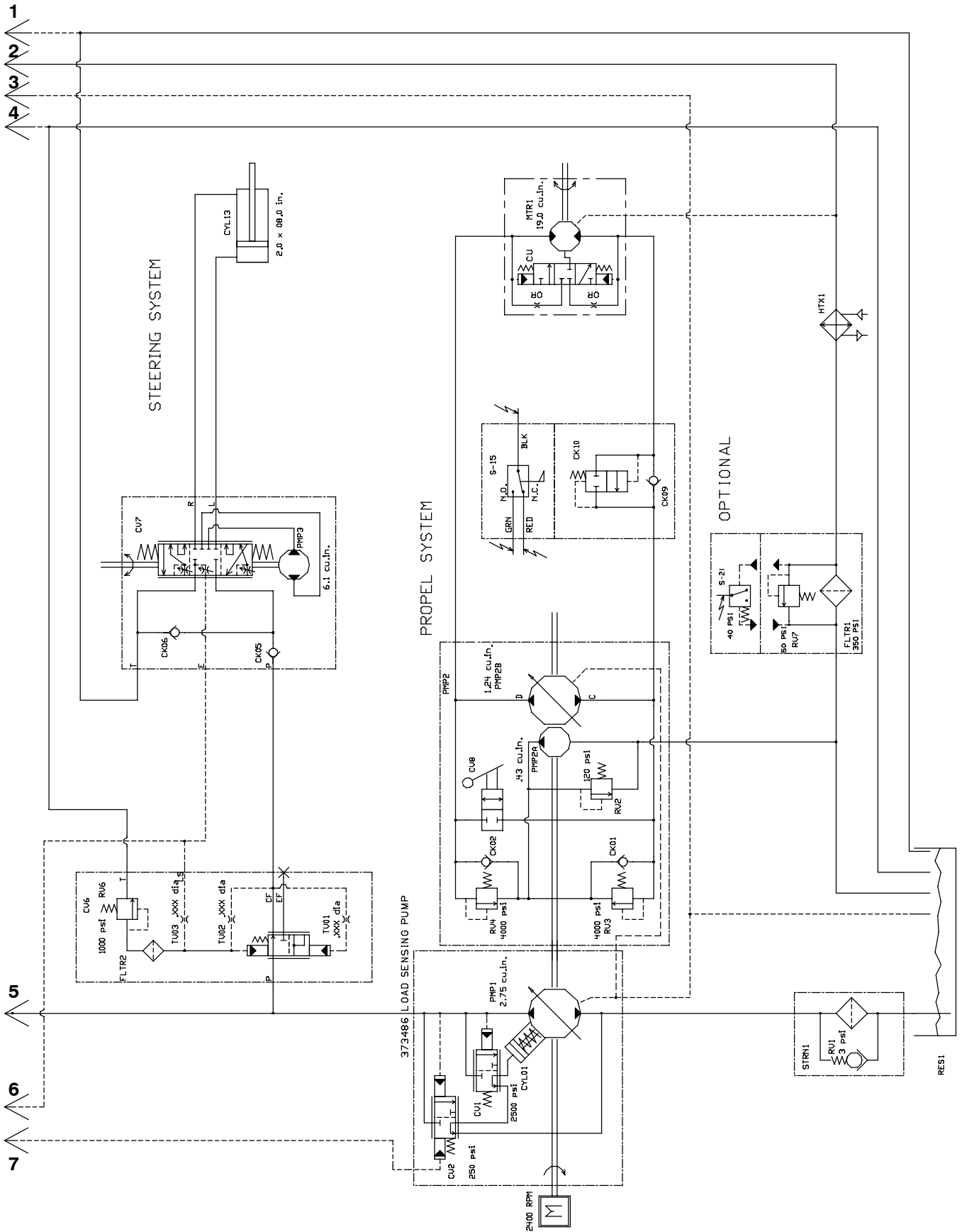




Fig. 40 - Hydraulic Schematic



**Fig. 41 - Hydraulic Hose Group (000000-013227)**

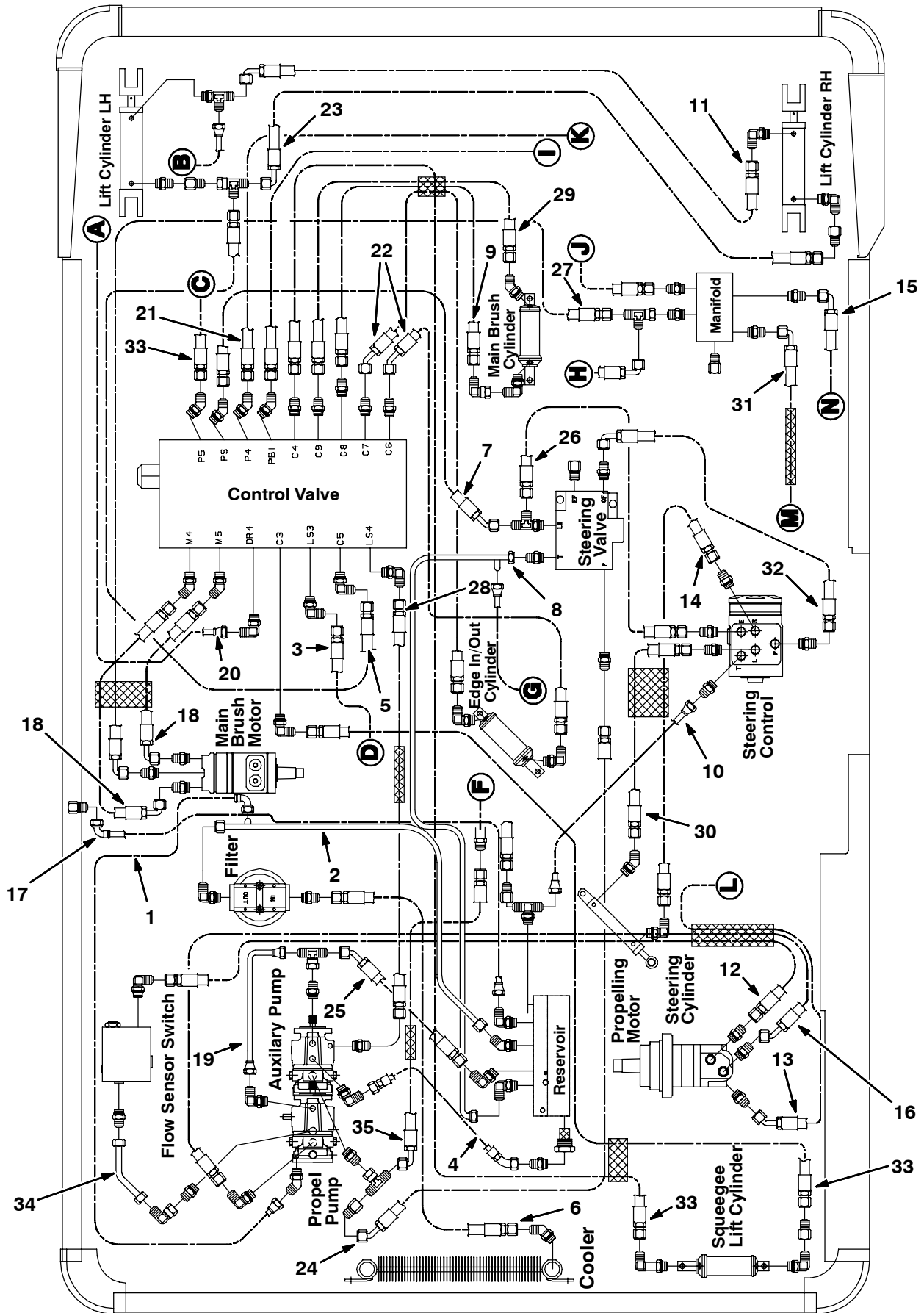


Fig. 41 - Hydraulic Hose Group (000000-013227)

Ref.	Part No.	Serial Number	Description	Qty.
1	78811	(000000-012574 )	Hose, Hyd	1
1	57971	(012575-013227 )	Hose, Hyd	1
2	77316	(000000-012574 )	Hose, Hyd	1
2	84147	(012575-013227 )	Tube, Hyd 16 Jf16/Jf16	1
3	77307	(000000-013227 )	Hose, Hyd	1
4	77312	(000000-013227 )	Hose, Hyd	1
5	77308	(000000-013227 )	Hose, Hyd	1
6	78777	(000000-013227 )	Hose, Hyd	1
7	77305	(000000-013227 )	Hose, Hyd	1
8	77309	(000000-012512 )	Hose, Hyd	1
8	84145	(012513-013227 )	Tube, Hyd 06 Jf06/Jf06	1
9	77306	(000000-013227 )	Hose, Hyd	1
10	76762	(000000-013227 )	Hose, Hyd	1
11	77303	(000000-013227 )	Hose, Hyd	1
12	77314	(000000-013227 )	Hose, Hyd	1
13	19644	(000000-013227 )	Hose, Hyd	1
14	77304	(000000-013227 )	Hose, Hyd	1
15	78776	(000000-013227 )	Hose, Hyd	1
16	77315	(000000-013227 )	Hose, Hyd	1
17	71557	(000000-013227 )	Hose, Hyd	1
18	34355	(000000-013227 )	Hose, Hyd	2
19	13115	(000000-012512 )	Hose, Hyd	1
19	84146	(012513-013227 )	Tube, Hyd 08 Jf08/Jf08	1
20	31602	(000000-013227 )	Hose, Hyd	1
21	82844	(000000-013227 )	Hose, Hyd	1
22	02361	(000000-013227 )	Hose, Hyd	2
23	87681	(000000-013227 )	Hose, Hyd	1
24	16462	(000000-013227 )	Hose, Hyd	1
25	77338	(000000-013227 )	Hose, Hyd	1
26	55700	(000000-013227 )	Hose, Hyd	1
27	82817	(000000-013227 )	Hose, Hyd	1
28	84122	(000000-013227 )	Hose, Hyd	1
29	31568	(000000-013227 )	Hose, Hyd	1
30	62100	(000000-013227 )	Hose, Hyd	1
31	02676	(000000-013227 )	Hose, Hyd	1
32	57944	(000000-013227 )	Hose, Hyd	1
33	01988	(000000-013227 )	Hose, Hyd	3
34	73107	(000000-013227 )	Tube, Hyd 10	1
35	84168	(012513-013227 )	Hose, Hyd, Hi 12, Jf Str/E90	1

Fig. 42 - Hydraulic Hose Group (000000-013227)

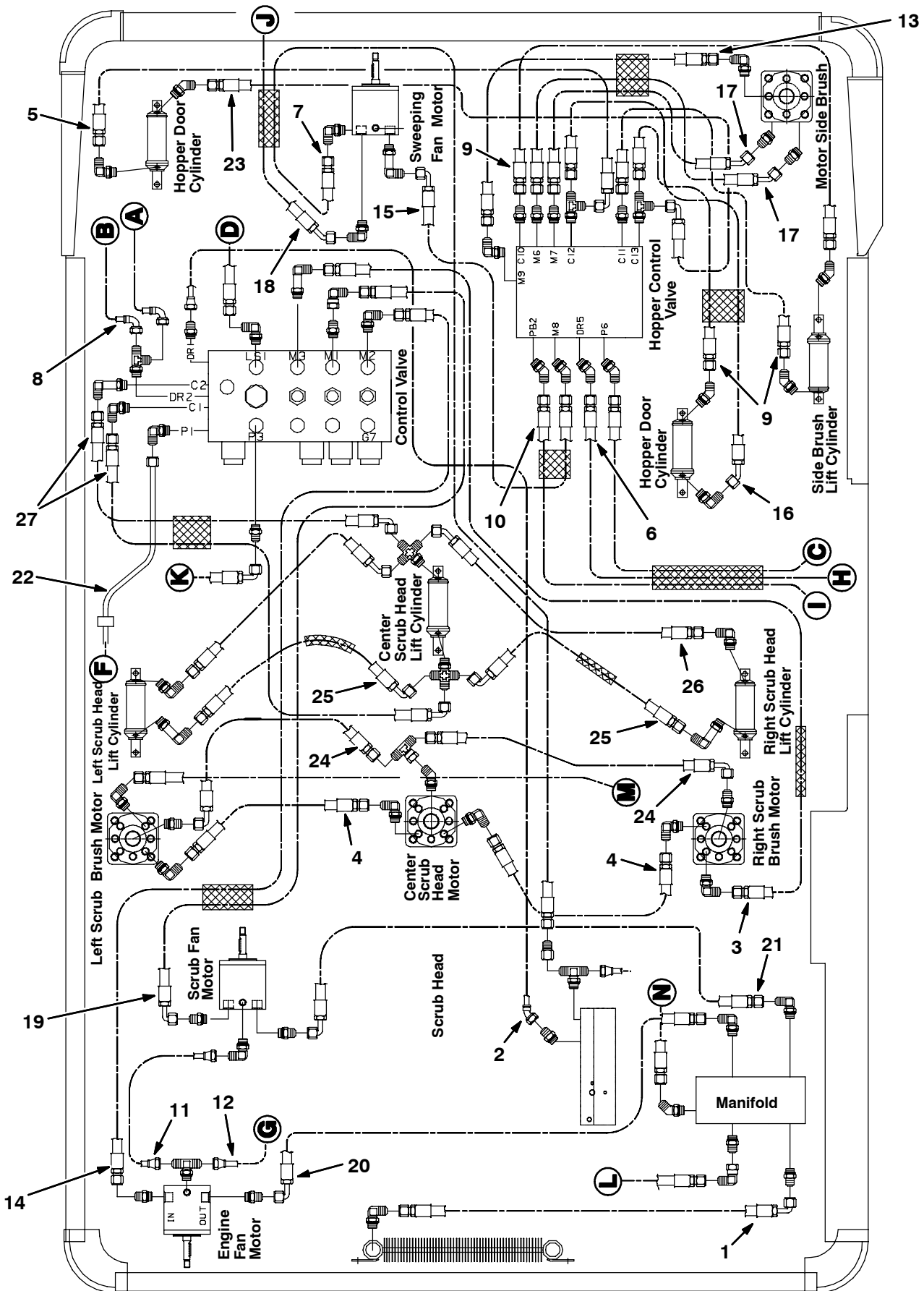


Fig. 42 - Hydraulic Hose Group (000000-013227)

Ref.	Part No.	Serial Number	Description	Qty.
1	78780	(000000-013227 )	Hose-Hyd Med16 Jf/J9	1
2	77311	(000000-013227 )	Hose-Hyd Low06	1
3	65224	(000000-013227 )	Hose-Hyd Med08	1
4	77302	(000000-013227 )	Hose-Hyd Med08	2
5	77359	(000000-013227 )	Hose-Hyd Med04 Jf/J9	1
6	87652	(000000-013227 )	Hose-Hyd Med 04 Jf/J9	1
7	57966	(000000-013227 )	Hose-Hyd Med04 Jf/Jf	1
8	31602	(000000-013227 )	Hose-Hyd Low04 Jf/J9	1
9	82814	(000000-013227 )	Hose-Hyd Med04 Jf/Jf	3
10	57160	(000000-013227 )	Hose-Hyd Med08 Jf/Jf	1
11	16465	(000000-013227 )	Hose-Hyd Low04 Jf/Jf	1
12	78779	(000000-013227 )	Hose-Hyd Low04 Jf/Jf	1
13	31568	(000000-013227 )	Hose-Hyd Med04 Jf/Jf	1
14	77337	(000000-013227 )	Hose-Hyd Med 06	1
15	78820	(000000-013227 )	Hose-Hyd Med08 Jf/J9	1
16	57173	(000000-013227 )	Hose-Hyd Med04 Jf/J4	1
17	57219	(000000-013227 )	Hose-Hyd Med08 Jf/J4	2
18	78821	(000000-013227 )	Hose-Hyd Med08 Jf/J4	1
19	78810	(000000-013227 )	Hose, Hyd Med08	1
20	78781	(000000-013227 )	Hose-Hyd Med06 Jf/J9	1
21	78775	(000000-013227 )	Hose-Hyd Med08 Jf/J9	1
22	82826	(000000-012512 )	Hose-Hyd Hi 12 Jf/J9	1
22	84148	(012513-013227 )	Tube, Hyd 12 Jf12/Jm12	1
23	59579	(000000-013227 )	Hose-Hyd Med04	1
24	87651	(000000-013227 )	Hose-Hyd Med04 Jf/J9	2
25	48617	(000000-013227 )	Hose-Hyd Med04 Jf/J9	2
26	57972	(000000-013227 )	Hose-Hyd Med04	2
27	57963	(000000-013227 )	Hose-Hyd Med04	2

Fig. 43 - Hydraulic Hose Group (013228- )

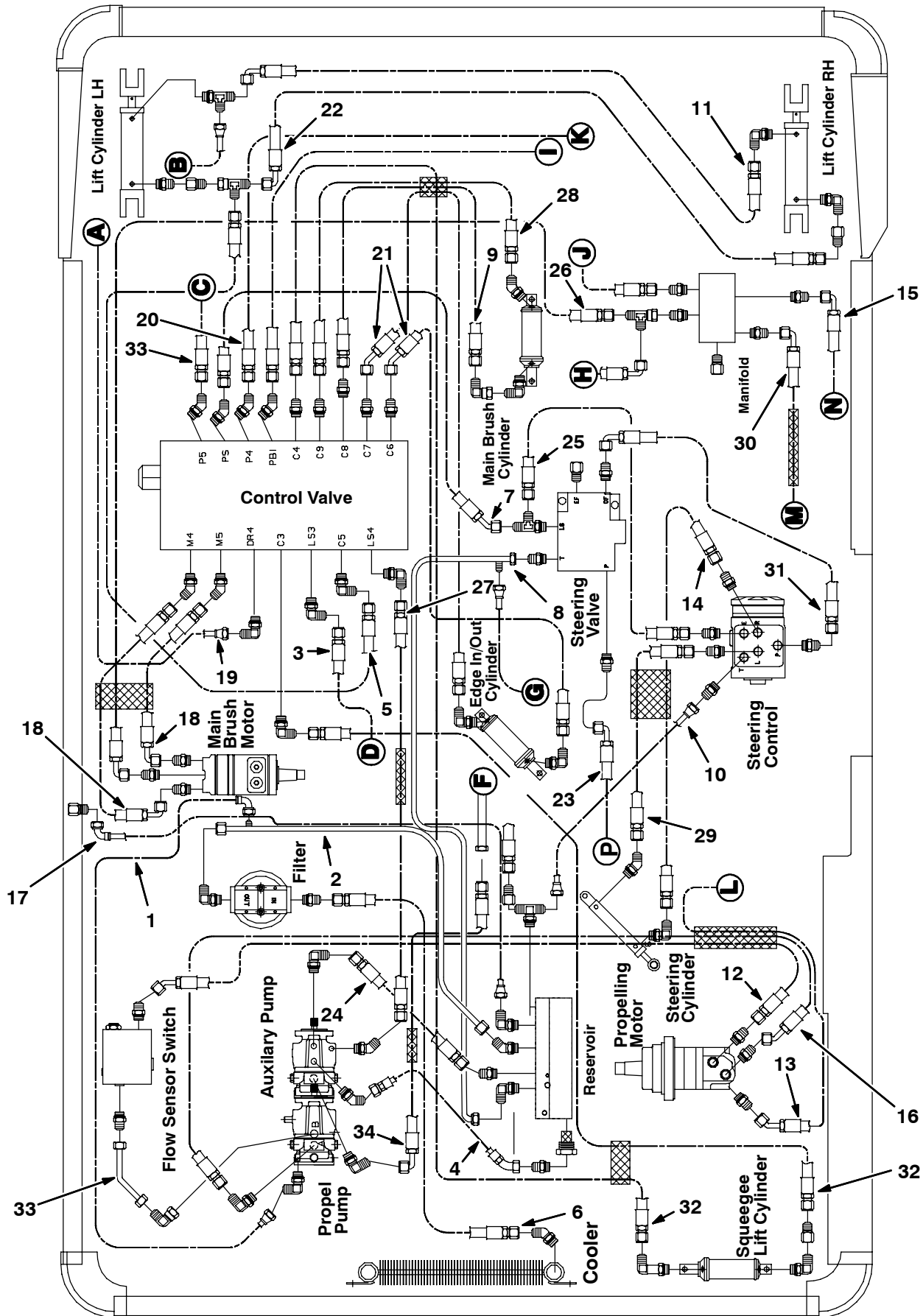


Fig. 43 - Hydraulic Hose Group (013228- )

Ref.	Part No.	Serial Number	Description	Qty.
1	1014446	(012575-	) Hose, Hyd, Tc08, Jf08str/Jf08e90, 20.0	1
2	84147	(013228-	) Tube, Hyd 16 Jf16/Jf16	1
3	77307	(013228-	) Hose, Hyd	1
4	392646	(013228-	) Hose, Hyd	1
5	31568	(013228-	) Hose, Hyd	1
6	78777	(013228-	) Hose, Hyd	1
7	77305	(013228-	) Hose, Hyd	1
8	1031967	(013228-	) Tube, Hyd, Tank [8410]	1
9	77306	(013228-	) Hose, Hyd	1
10	76762	(013228-	) Hose, Hyd	1
11	77303	(013228-	) Hose, Hyd	1
12	71743	(013228-	) Hose, Hyd	1
13	19644	(013228-	) Hose, Hyd	1
14	77304	(013228-	) Hose, Hyd	1
15	78776	(013228-	) Hose, Hyd	1
16	77315	(013228-	) Hose, Hyd	1
17	71557	(013228-	) Hose, Hyd	1
18	34355	(013228-	) Hose, Hyd	2
19	31602	(013228-	) Hose, Hyd	1
20	82844	(013228-	) Hose, Hyd	1
21	02361	(013228-	) Hose, Hyd	2
22	87681	(013228-	) Hose, Hyd	1
23	55697	(013228-	) Hose, Hyd	1
24	392608	(013228-	) Hose, Hyd	1
25	55700	(013228-	) Hose, Hyd	1
26	82817	(013228-	) Hose, Hyd	1
27	361046	(013228-	) Hose, Hyd	1
28	31568	(013228-	) Hose, Hyd	1
29	62100	(013228-	) Hose, Hyd	1
30	02676	(013228-	) Hose, Hyd	1
31	57944	(013228-	) Hose, Hyd	1
32	01988	(013228-	) Hose, Hyd	3
33	392607	(013228-	) Hose, Hyd	1
34	57949	(013228-	) Hose, Hyd	1

Fig. 44 - Hydraulic Hose Group (013228- )

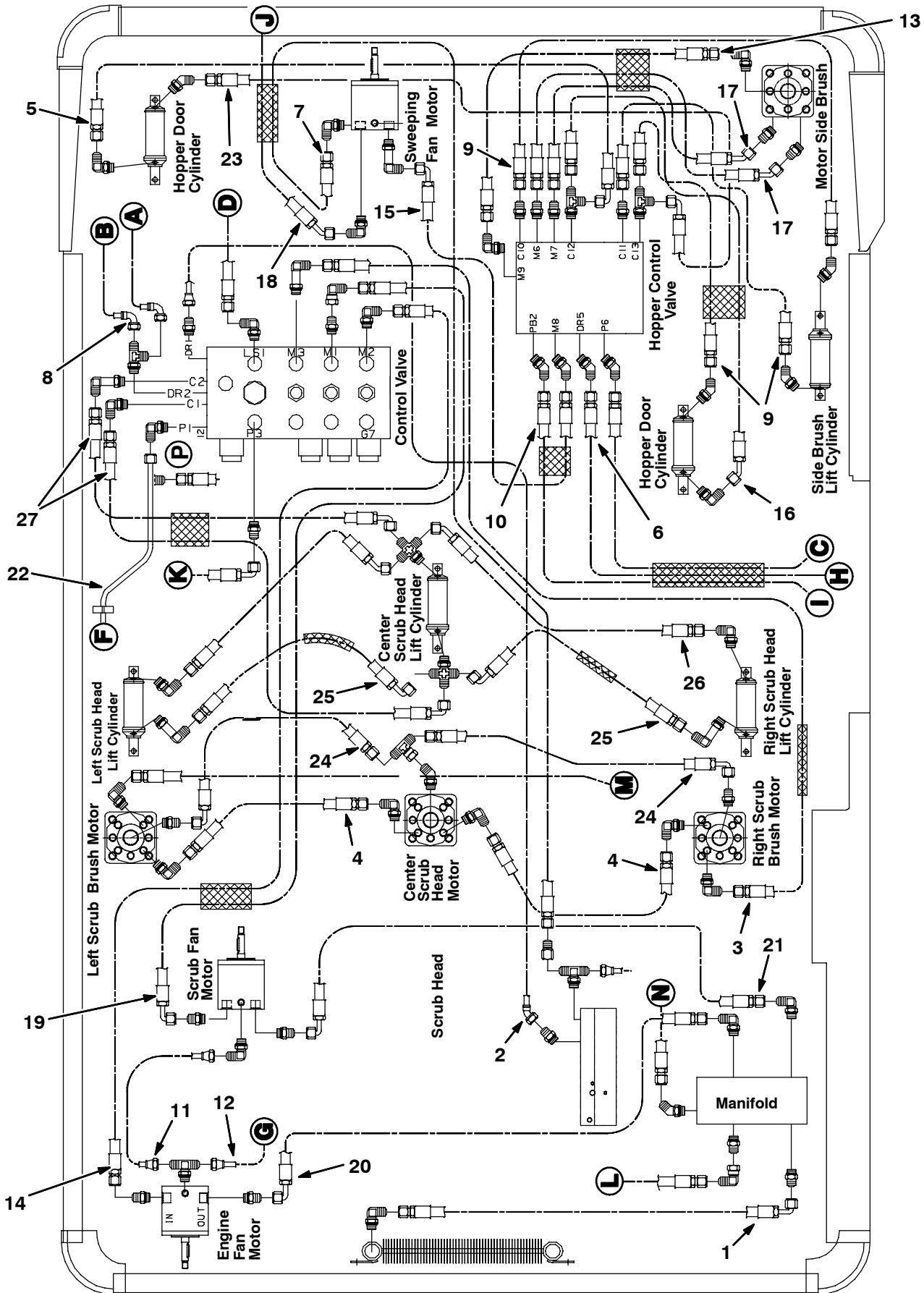




Fig. 44 - Hydraulic Hose Group (013228- )

Ref.	Part No.	Serial Number	Description	Qty.
1	78780	(013228-	) Hose-Hyd Med16 Jf/J9	1
2	77311	(013228-	) Hose-Hyd Low06	1
3	65224	(013228-	) Hose-Hyd Med08	1
4	77302	(013228-	) Hose-Hyd Med08	2
5	77359	(013228-	) Hose-Hyd Med04 Jf/J9	1
6	87652	(013228-	) Hose-Hyd Med 04 Jf/J9	1
7	57966	(013228-	) Hose-Hyd Med04 Jf/Jf	1
8	31602	(013228-	) Hose-Hyd Low04 Jf/J9	1
9	82814	(013228-	) Hose-Hyd Med04 Jf/Jf	3
10	57160	(013228-	) Hose-Hyd Med08 Jf/Jf	1
11	16465	(013228-	) Hose-Hyd Low04 Jf/Jf	1
12	78779	(013228-	) Hose-Hyd Low04 Jf/Jf	1
13	31568	(013228-	) Hose-Hyd Med04 Jf/Jf	1
14	77337	(013228-	) Hose-Hyd Med 06	1
15	78820	(013228-	) Hose-Hyd Med08 Jf/J9	1
16	57173	(013228-	) Hose-Hyd Med04 Jf/J4	1
17	57219	(013228-	) Hose-Hyd Med08 Jf/J4	2
18	78821	(013228-	) Hose-Hyd Med08 Jf/J4	1
19	78810	(013228-	) Hose, Hyd Med08	1
20	78781	(013228-	) Hose-Hyd Med06 Jf/J9	1
21	82844	(013228-	) Hose-Hyd Med08	1
22	392580	(013228-	) Tube, Hyd 12 Jf12/Jm12	1
23	59579	(013228-	) Hose-Hyd Med04	1
24	87651	(013228-	) Hose-Hyd Med04 Jf/J9	2
25	48617	(013228-	) Hose-Hyd Med04 Jf/J9	2
26	57972	(013228-	) Hose-Hyd Med04	2
27	57963	(013228-	) Hose-Hyd Med04	2

Fig. 45 - Hydraulic Reservoir Group

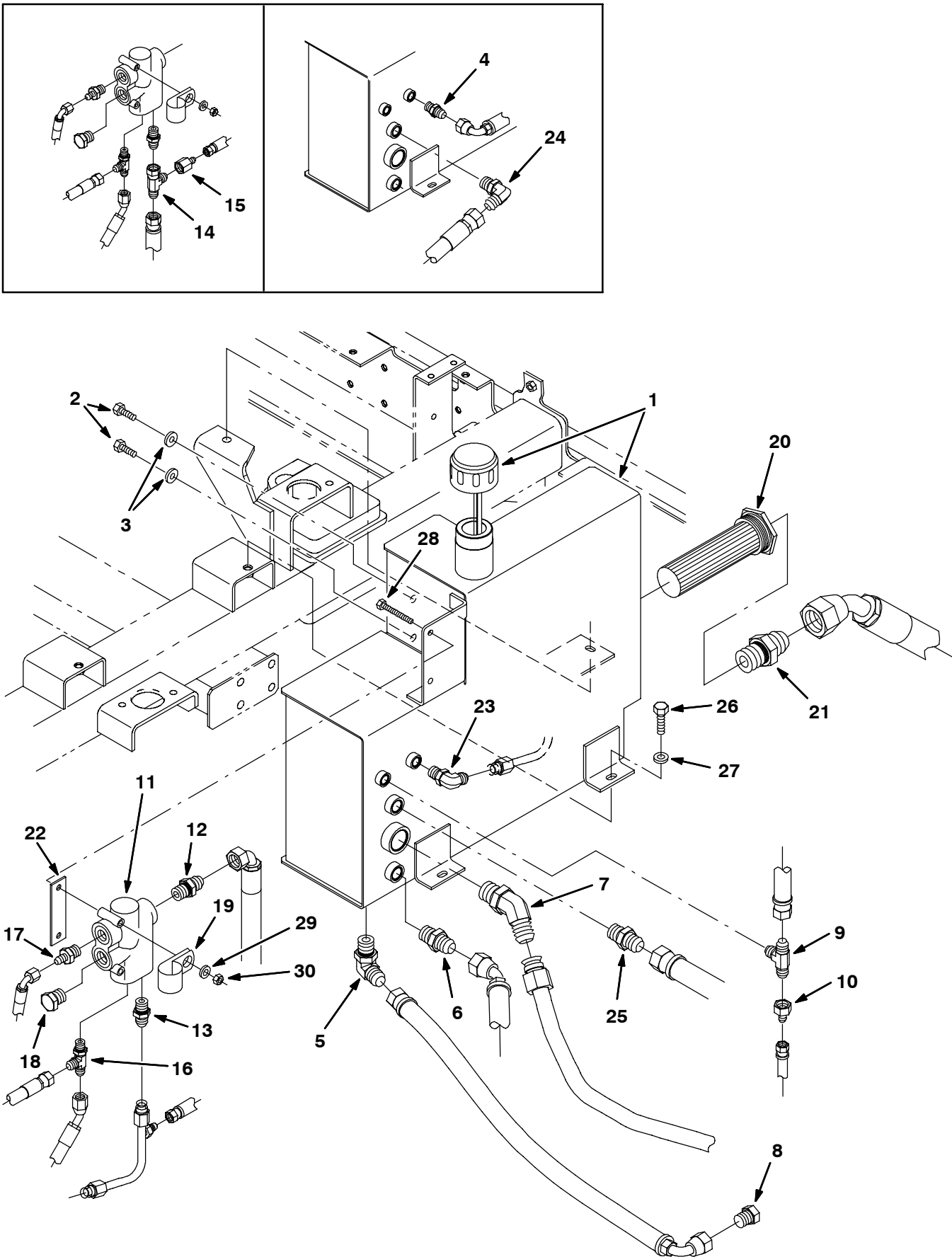


Fig. 45 - Hydraulic Reservoir Group

Ref.	Part No.	Serial Number	Description	Qty.
▽	1	9000681	(000000- ) Reservoir, 10.0 Gal, W/Label [8410]	1
▲▽	78730	(000000- )	Breather, Hyd Cap 40Mic 8.5Ds	1
▲▲	70006	(000000- )	Gasket, Hyd Cap	1
▲	2	21197	(000000- ) Scr Hex .38-16X1.00	2
▲	3	84097	(000000- ) Washer, Sealing	2
	4	56690	(000000-012512 ) Ftg-Hyd Str Jm06/Om06	1
	5	44868	(000000- ) Ftg-Hyd E90 Jm08/Om08	1
	6	52402	(000000- ) Ftg-Hyd Str Jm06/Om08	1
	7	57479	(000000- ) Ftg-Hyd E45	1
	8	16376	(000000- ) Ftg-Hyd Plg Jm08	1
	9	67683	(000000- ) Ftg-Hyd Tee Jm06Omjm	1
	10	47752	(000000- ) Ftg-Hyd Str Jm04/Jf06	1
	11	9002675	(000000-014333 ) Valve Kit, Hyd, F/73094/84145, Replmt	1
	11	1032036	(014334- ) Valve, Hyd [Priority Ds16g1000]	1
	12	56692	(000000- ) Ftg-Hyd Str Jm08/Om10	1
	13	50960	(000000- ) Ftg-Hyd Str Jm06/Om04	1
	14	42215	(000000-012512 ) Ftg-Hyd Tee Jm06Jmjf	1
	15	47752	(000000-012512 ) Ftg-Hyd Str Jm04/Jf06	1
	16	34390	(000000- ) Ftg-Hyd Tee Jm04Jmom	1
	17	52402	(000000- ) Ftg-Hyd Str Jm06/Om08	1
	18	40362	(000000- ) Ftg-Hyd Plg Om10	1
	19	86328	(000000- ) Clamp, Cable 1.5 Dia	1
	20	31613	(000000- ) Strainer-Hyd Suction 25-100-03	1
	21	19458	(000000-013227 ) Ftg-Hyd Str	1
	21	58858	(013228- ) Ftg-Hyd Str	1
	22	78898	(000000- ) Isolator, Valve	1
	23	56820	(012513- ) Ftg-hyd E90 Jm06/Om06	1
	24	44868	(000000-013227 ) Ftg-Hyd E90 Jm08/Om08	1
	25	44869	(013228- ) Fitting, Hyd, Str, Jm08/Om08	1
	26	03192	(000000- ) Screw, Hex, M10 X 1.5 X 30, 8.8	3
	27	32492	(000000- ) Washer, Flat, 0.38, Std	3
	28	39279	(000000- ) Screw, Hex, M8 X 1.25 X 70, 8.8	2
	29	32490	(000000- ) Washer, Flat, 0.25, Std	2
	30	08709	(000000- ) Nut, Hex, Lock, M8 X 1.25, NI	2

Fig. 46 - Sweeper Main Hydraulic Valve Group

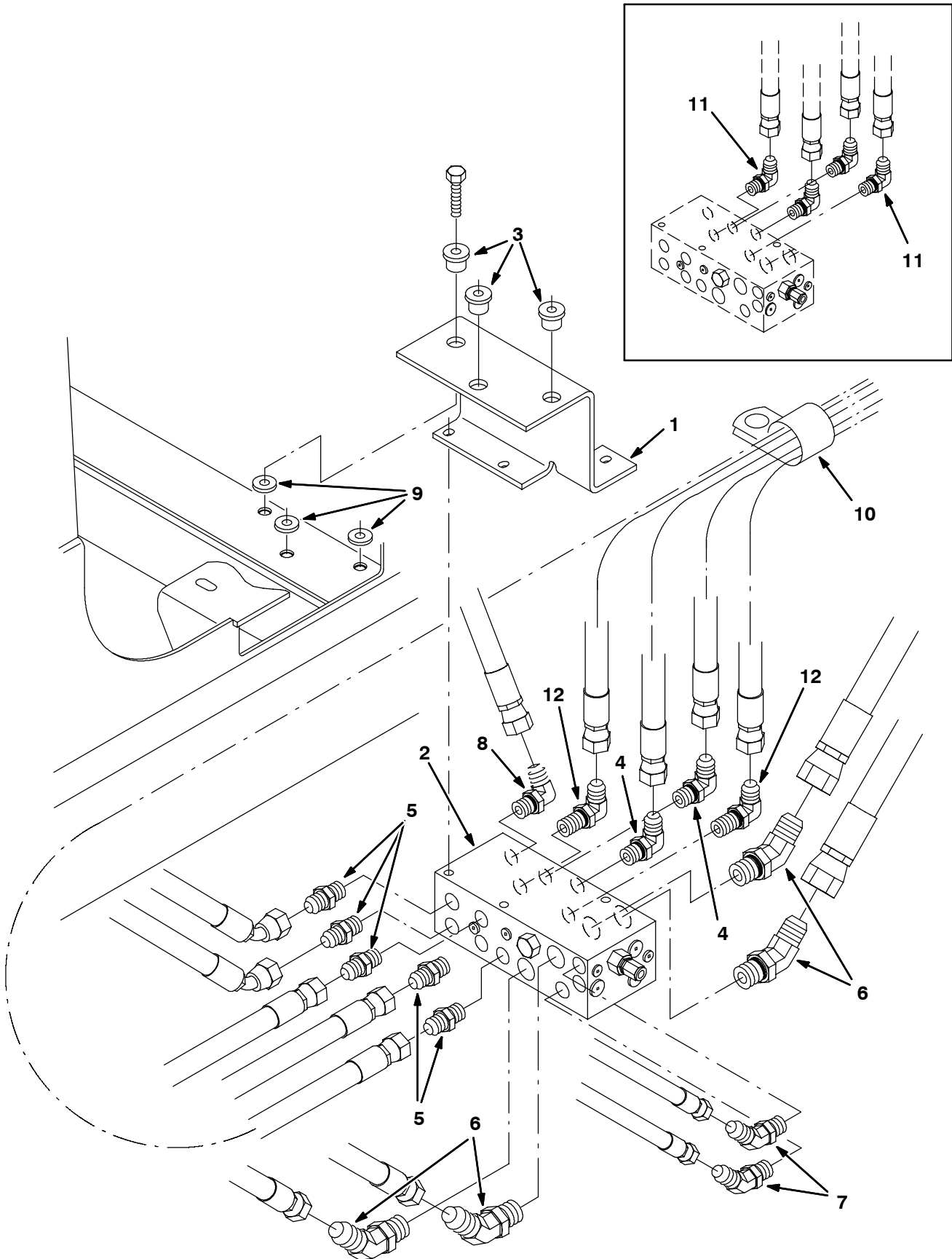


Fig. 46 - Sweeper Main Hydraulic Valve Group

Ref.	Part No.	Serial Number	Description	Qty.
1	10618	(010308-	) Bracket Wldt, Mtg, Valve	1
2	84012	(000000-	) Valve, Hyd Control Sol (See Breakdowns)	1
3	54274	(000000-	) Isolator-Vibration, 125Lb. Ratng	3
4	77097	(000000-	) Ftg-Hyd E90 Jm04/Om04	2
5	55586	(000000-	) Ftg-Hyd Str Jm04/Om04	5
6	42226	(000000-	) Ftg-Hyd E45 Jm08/Om08	4
7	34359	(000000-	) Ftg-Hyd E45 Jm04/Om04	2
8	77098	(000000-	) Ftg-Hyd E90 Jm06/Om04	1
9	13248	(000000-	) Washer, .400B 1.12D .12Cr.Znc	1
10	53466	(000000-	) Clamp, Hose	1
11	77097	(000000-013227	) Ftg-Hyd E90 Jm04/Om04	2
12	82825	(013228-	) Fitting, Hyd, E90, Jm04om04I	2

Fig. 47 - Sweeper Side Brush Lift Group

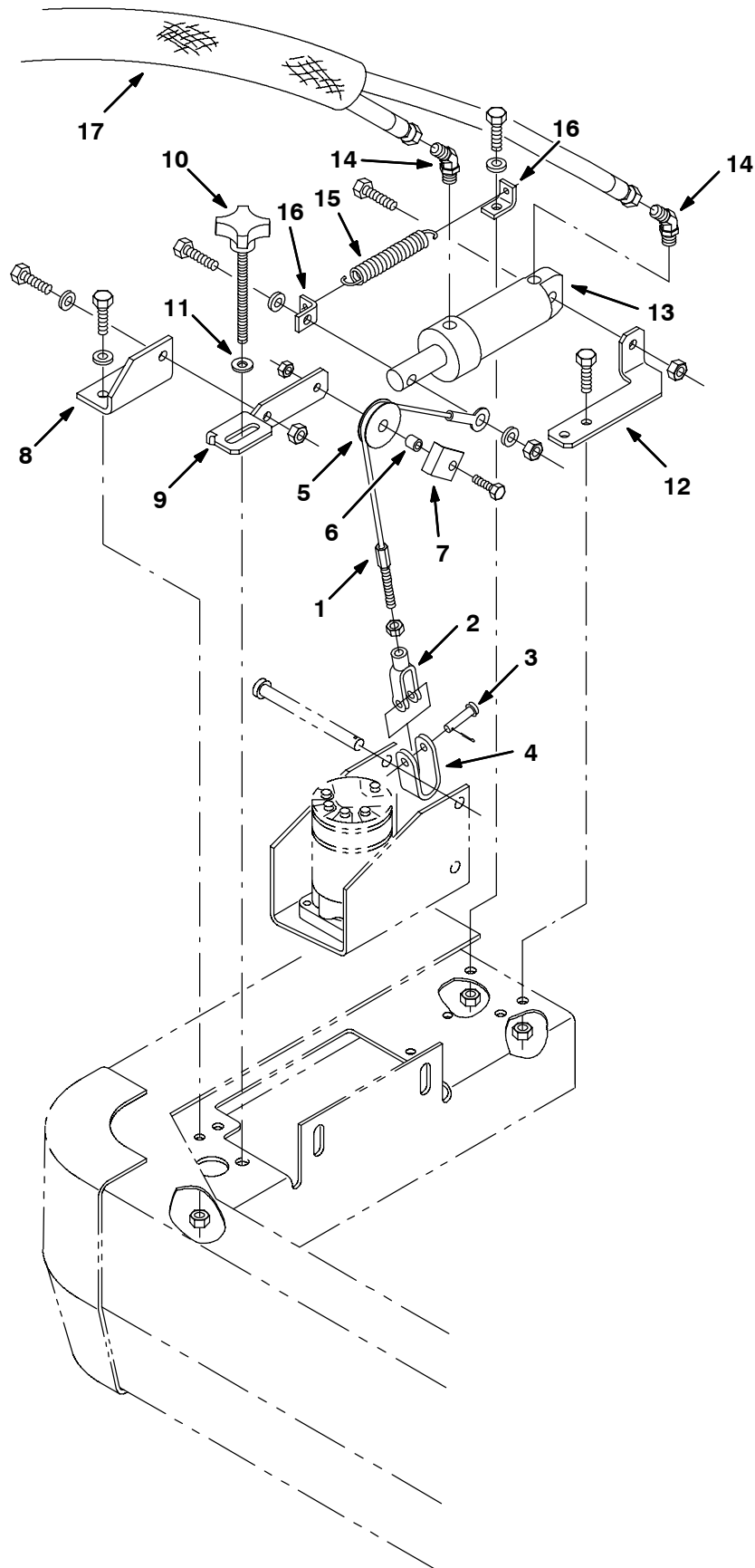


Fig. 47 - Sweeper Side Brush Lift Group

Ref.	Part No.	Serial Number	Description	Qty.
1	77335	(000000-	) Cable, Lift, Side Brush	1
2	12267	(000000-	) Yoke, End-Adjustable	1
3	29558	(000000-	) Pin,Clevis,0.37 Dia.X 1.50 Lg	1
4	59899	(000000-	) Bracket, Side Brush	1
5	369781	(000000-	) Pulley, Cable, 1.5d, Nyl	1
6	56624	(000000-	) Spacer, Pulley	1
7	54400	(000000-	) Angle, Cable Keeper	1
8	72743	(000000-	) Bracket, Support, Pulley	1
9	72740	(000000-	) Bracket, Adjustment, Sidebrush	1
10	54848	(000000-	) Knob, Adjusting	1
11	52296	(000000-	) Washer,Nyl,0.405Bx0.812X.060Th	1
12	72741	(000000-	) Bracket, Support, Cylinder	1
13	73089	(000000-	) Cylinder, Hyd 1.5B 02.8S.2500	1
14	34359	(000000-	) Ftg-Hyd E45 Jm04/Om04	2
15	29499	(000000-	) Spring, Tens.750Dx.10Wirex4.5	1
16	77336	(000000-	) Angle, Retainer, Spring	2
17	31646	(000000-	) Sleeve, Nylon 25.0L	1

Fig. 48 - Sweeper Side Brush Motor and Pivot Group

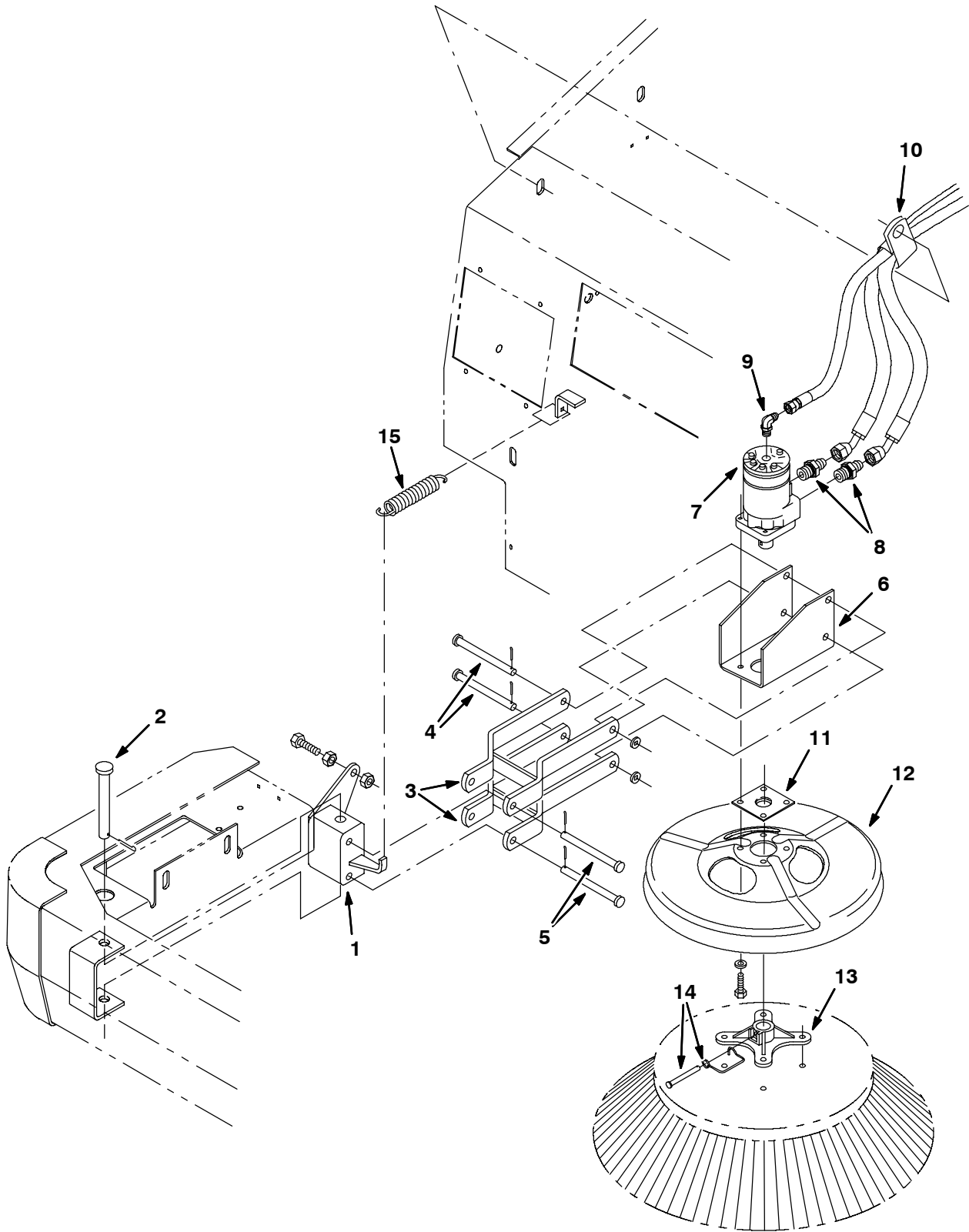




Fig. 48 - Sweeper Side Brush Motor and Pivot Group

Ref.	Part No.	Serial Number	Description	Qty.
1	54050	(000000-	) Pivot Assy, S Br	1
2	54660	(000000-	) Pin, Clevis .75 Diax5.5Lg	1
3	53965	(000000-	) Arm, Lift	2
4	51225	(000000-	) Pin,Clevis,0.50 Dia.X 5.50 Lg	2
5	51538	(000000-	) Pin,Clevis,0.50 Dia.X 5.00 Lg	2
6	71540	(000000-	) Bracket, Motor	1
7	374628	(000000-012654	) Replacement Kit, Motor Hyd. F/53435 (See Breakdowns)	1
7	373340	(012655-	) Motor-Hyd Gear In 14.13 B1500 (See Breakdowns)	1
8	56692	(000000-	) Ftg-Hyd Str Jm08/Om10	2
9	77097	(000000-	) Ftg-Hyd E90 Jm04/Om04	1
10	53466	(000000-	) Clamp, Hose	4
11	16082	(000000-	) Guard, String, Brush Motor	1
12	53984	(000000-	) Guard, Brush	1
13	47501	(000000-	) Hub, Brush Adaptor, 1.00B	1
14	84581	(000000-	) Pin Assy, Side Brush W/Clip	1
15	47745	(000000-	) Sprng,Tens,1.12Odx.14Wire 4.8L	1

Fig. 49 - Sweeper Main Brush Lift Group

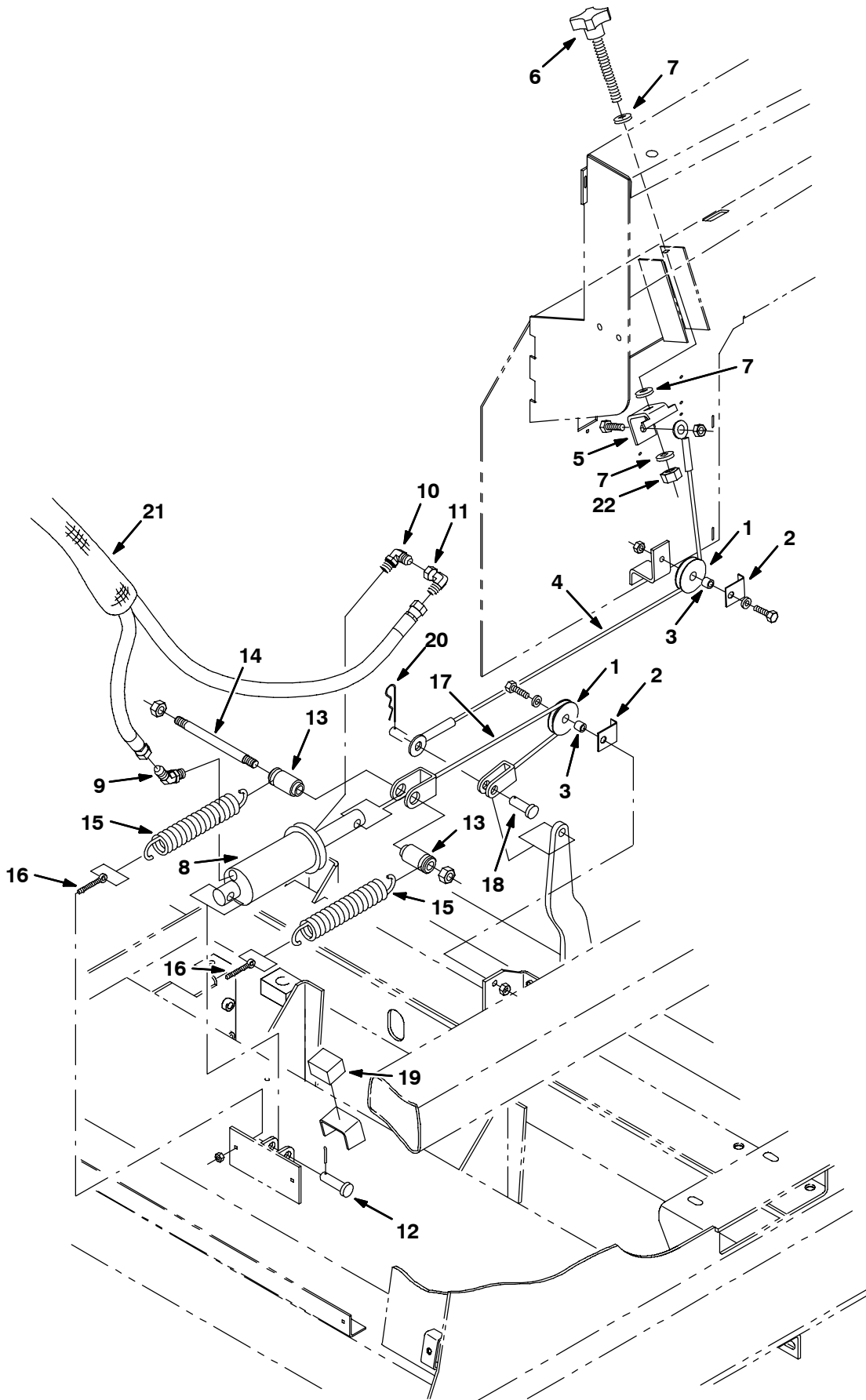


Fig. 49- Sweeper Main Brush Lift Group

Ref.	Part No.	Serial Number	Description	Qty.
1	369781	(000000-	) Pulley, Cable, 1.5d, Nyl	2
2	54400	(000000-	) Angle, Cable Keeper	2
3	56624	(000000-	) Spacer, Pulley	2
4	73261	(000000-	) Cable, Adj, Main Brush	1
5	83870	(000000-	) Bracket, Brush Lift Adj M10	1
6	54848	(000000-	) Knob, Adjusting	1
7	52296	(000000-	) Washer, Nyl, 0.405Bx0.812X.060Th	1
1028042	<del>54096</del>	(000000-	) Cylinder-Hyd 2.0X4.0Da2500Psi	1
9	34359	(000000-	) Ftg-Hyd E45 Jm04/Om04	1
10	77097	(000000-	) Ftg-Hyd E90 Jm04/Om04	1
11	39210	(000000-	) Ftg-Hyd E90 Jm04/Jf04	1
12	43290	(000000-	) Pin, Clevis, 0.50 Dia. X 1.75 Lg	1
13	72847	(000000-	) Tube, Retainer, Spring	2
14	72848	(000000-	) Rod, Threaded, Brush Lift	1
15	33404	(000000-	) Spring, Tension	2
16	78944	(000000-	) Bolt-Eye, .31-18Th.18B 2.75L	2
17	72849	(000000-	) Cable, Brushlift	1
18	75520	(000000-	) Pin, Clevis, 0.50 Dia. X 1.50 Lg	1
19	72858	(000000-	) Pad	1
20	08175	(000000-	) Pin, Cotter .125X1.25	1
21	50121	(000000-	) Sleeve, Nyl 8.0L	1
22	41430	(000000-	) Nut, Hex, Lock, M10 X 1.5, NI	1

Fig. 50 - Sweeper Main Brush Drive Group

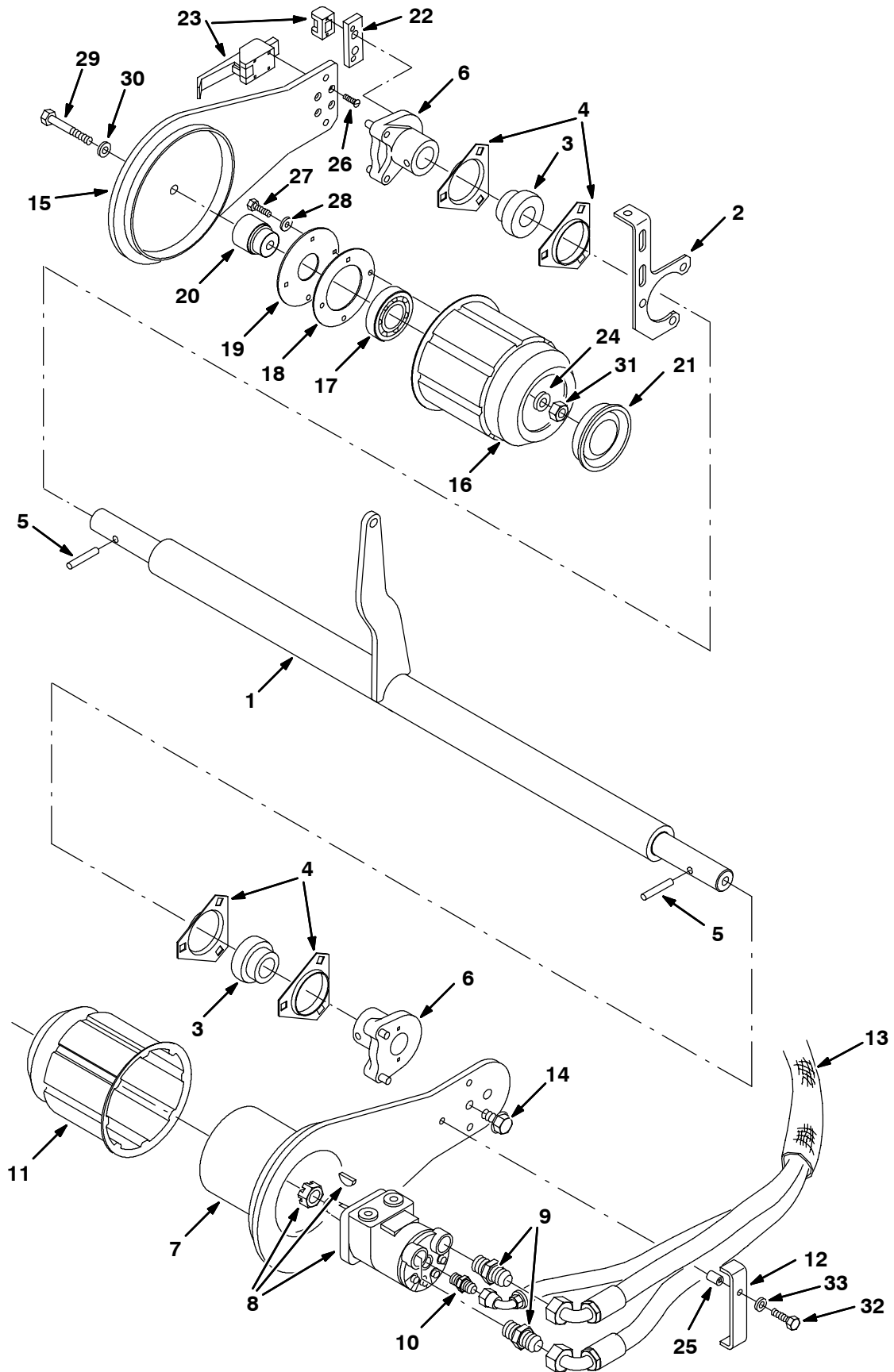


Fig. 50 - Sweeper Main Brush Drive Group

Ref.	Part No.	Serial Number	Description	Qty.
1	73258	(000000-	) Shaft Wldt, Main Brush	1
2	72458	(000000-	) Plate, Mtg, Main Brush Shaft	1
3	51448	(000000-	) Bearing&Clr ,1.25B 2.44D 1.41W	2
4	51449	(000000-	) Flange,Brg,3 Hole	4
5	51317	(000000-	) Pin,Roll,.38Odx2.00L,.375/.382	2
6	54680	(000000-	) Hub Assy, Brush Arm	2
7	13156	(000000-	) Arm Wldt, Brush, Drive	1
8	74468	(000000-	) Motor, Hyd Gear In 02.8 B 1500 (See Breakdowns)	1
9	44869	(000000-	) Ftg-Hyd Str Jm08/Om08	2
10	55586	(000000-	) Ftg-Hyd Str Jm04/Om04	1
11	87631	(000000-	) Plug Weld, Brush Drive, Sweep	1
12	63516	(000000-	) Bracket, Hose	1
13	82832	(000000-	) Sleeve-Nyln #38 25.0L	1
14	53985	(000000-	) Plug Thread 1/2-13	1
15	54659	(000000-	) Arm Wldt, Idlerr, W/Brush	1
16	55779	(000000-	) Plug Wldt, Idler	1
17	24899AM	(000000-	) Bearing-Ball,1.38B 2.83D 0.67W	1
18	30252	(000000-	) Strip Retainer Bearing	1
19	30253	(000000-	) Plate Seal	1
20	30251	(000000-	) Shaft Idler	1
21	30255	(000000-	) Plug Tube	1
22	54204	(000000-	) Plate, Mounting, Latch	1
23	54878	(000000-	) Latch	1
24	51564	(000000-	) Washer, .531B 1.75D .12Cr.Znc	1
25	09900-1	(000000-	) Sleeve	1
26	09120	(000000-	) Screw, Flt, M5 X 0.8 X 16, 10.9	6
27	12277	(000000-	) Screw, Hex, M6 X 1.0 X 20, Ss, NI	4
28	01684	(000000-	) Washer, Flat, 0.25, Ss	4
29	06974	(000000-	) Screw, Hex, M12 X 1.75 X 80, 8.8	1
30	36328	(000000-	) Washer, Flat, Belleville, .50	1
31	08711	(000000-	) Nut, Hex, Lock, M12 X 1.75,NI	1
32	07805	(000000-	) Screw, Hex, M6 X 1.0 X 35, Ss	1
33	01684	(000000-	) Washer, Flat, 0.25, Ss	1

Fig. 51 - Scrub Brush Frame Group

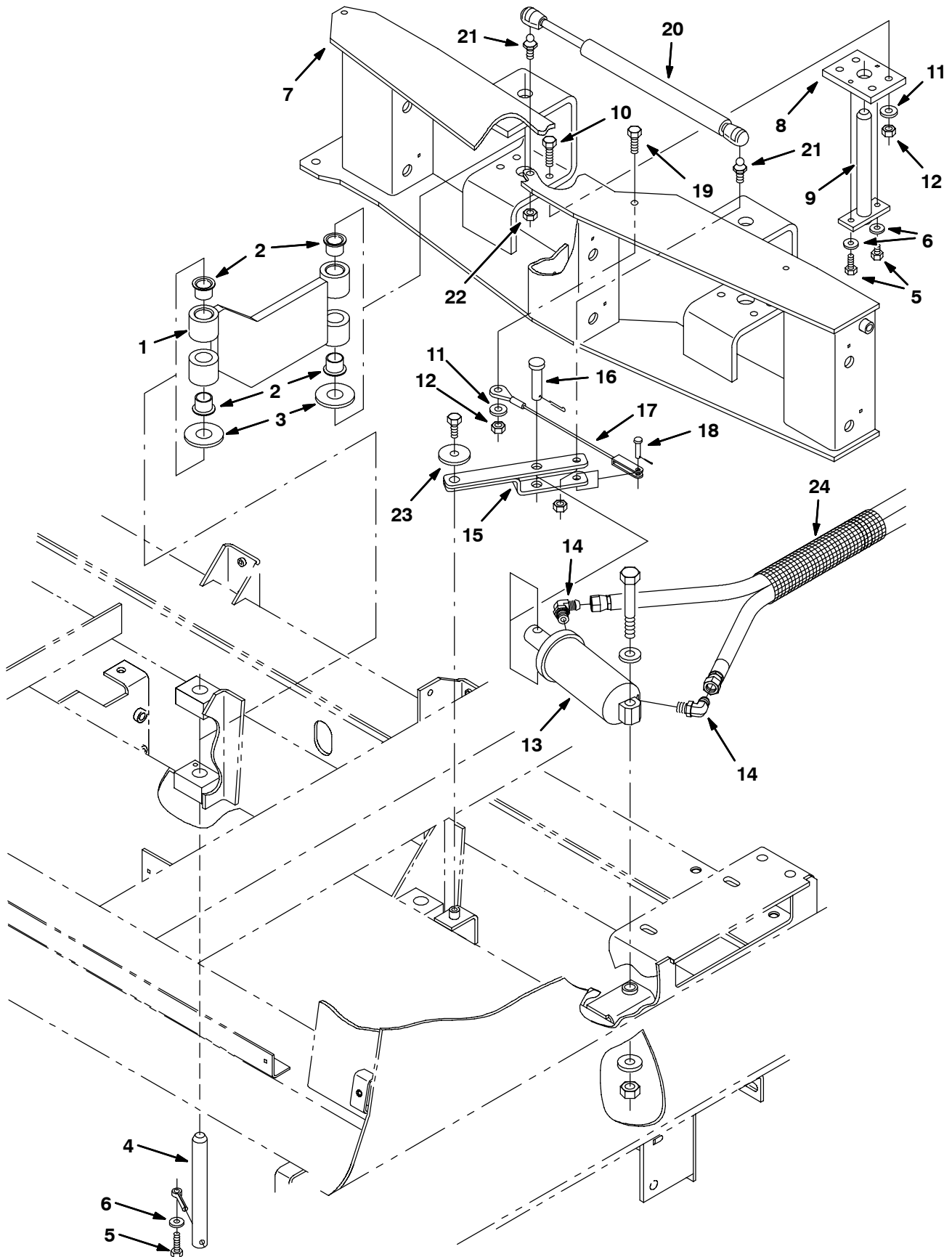


Fig. 51 - Scrub Brush Frame Group

Ref.	Part No.	Serial Number	Description	Qty.
1	72599	(000000-	) Link Wldt, Edge Scrubbing	2
2	72763	(000000-	) Bearing, Flange, .750 Bore	8
3	32495	(000000-	) Washer Flt .75 Hard	4
4	72776	(000000-	) Pin, Scrub Head, .75D X 6.812L	2
5	09007	(000000-	) Scr Hexssm 6X1.0 25	6
6	01684	(000000-	) Washer Flt .25 Ss	6
7	72768	(000000-	) Frame Wldt, Mtg, Brush	1
8	72836	(000000-	) Bar, Adjustment, Pivot	2
9	84067	(000000-	) Pin Wldt, Scrub Head	2
10	09011	(000000-	) Scr Hexssm 8X1.25 30	8
11	01685	(000000-	) Washer Flt .31 Ss	9
12	08713	(000000-	) Nut-Hxlocnyln M 8X1.25 Reg Ss	9
13	54096	(000000-	) Cylinder-Hyd2.0X4.0Da2500Psi	1
14	77097	(000000-	) Ftg-Hyd E90 Jm04/Om04	2
15	84021	(000000-	) Lever Wldt, Edge Scrubbing	1
16	43290	(000000-	) Pin,Clevis,0.50 Dia.X 1.75 Lg	1
17	72833	(000000-	) Cable	1
18	23786	(000000-	) Pin,Clevis,0.25 Dia.X 0.75 Lg	1
19	09740	(000000-	) Scr Hexssm 8X1.25	1
20	79376	(000000-	) Spring, Gas 34 Lb 6.3 Stroke	1
21	58494	(000000-	) Stud, Ball, Gas Spring	2
22	01760	(000000-	) Nut-Hxlocnyln .31-18 Thin Pltd	2
23	05624	(000000-	) Washer, Flat	1
24	50121	(000000-	) Sleeve, Nylon	1

**Fig. 52 - Scrub Brush Group, Left**

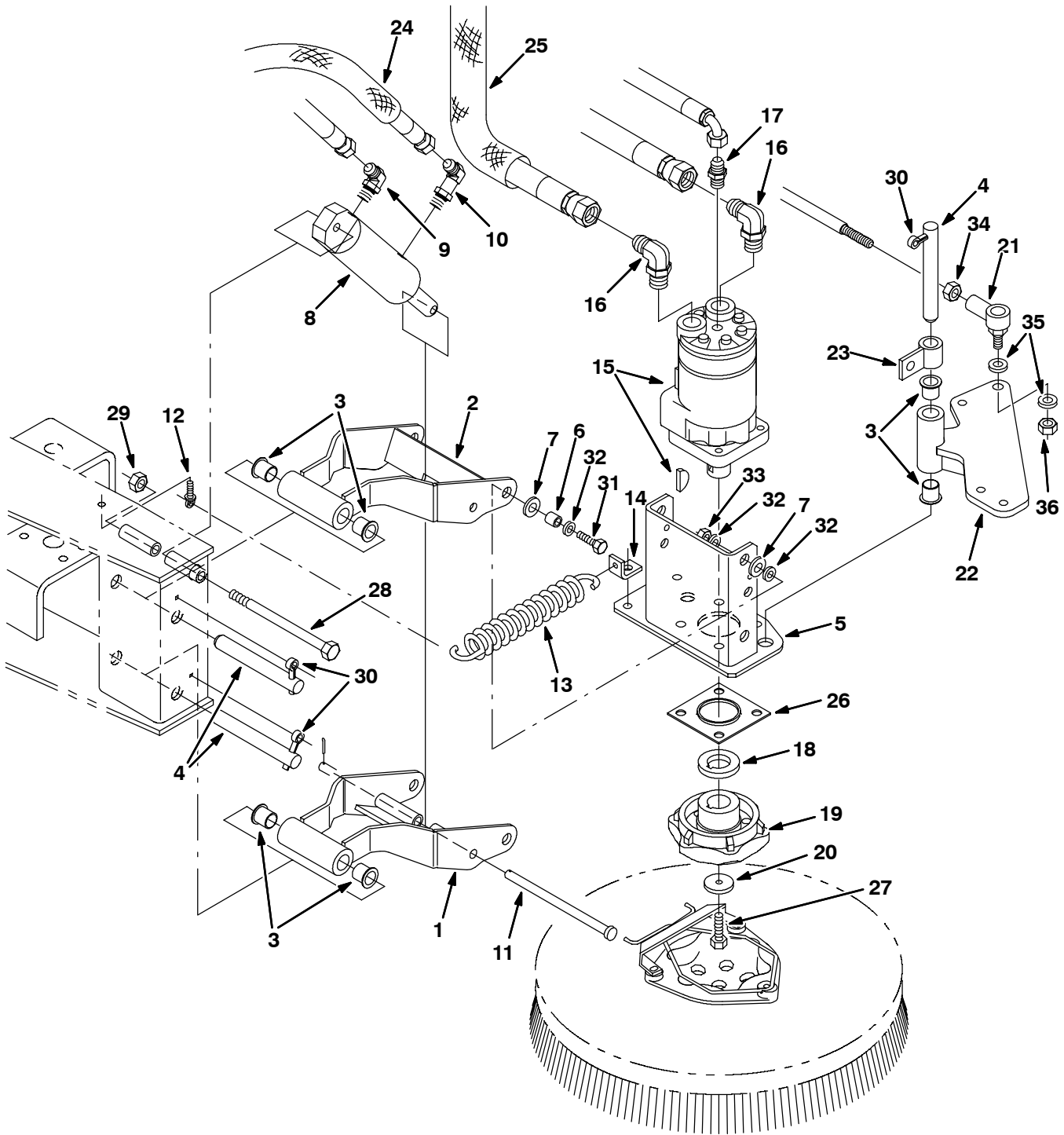




Fig. 52 - Scrub Brush Group, Left

Ref.	Part No.	Serial Number	Description	Qty.
1	72663	(000000-	) Link, Lower	1
2	72773	(000000-	) Link Wldt, Upper	1
3	72777	(000000-	) Bushing, Flanged, .625 Id	4
4	72775	(000000-	) Pin, Scrub Brush, .625D 5.00L	3
5	72839	(000000-	) Bracket, Motor	1
6	222460	(000000-	) Sleeve	4
7	86952	(000000-	) Washer-Flat .44 Std Nylon	8
8	379030	(000000-	) Cylinder, Hyd	1
9	77097	(000000-	) Ftg-Hyd E90 Jm04/Om04	1
10	82825	(000000-	) Ftg-Hyd E90 Jm04/Om04	1
11	49924	(000000-	) Pin,Clevis,0.37 Dia.X 6.12 Lg	1
12	48079	(000000-	) Bolt-Eye, .25-20Th .25B 1.4L	1
13	33404	(000000-	) Spring, Tension	1
14	72832	(000000-	) Angle, Retainer, Spring	1
15	73090	(000000-	) Motor, Hyd Gear In 07.3 B 1500 (See Breakdowns)	1
16	44868	(000000-	) Ftg-Hyd E90 Jm08/Om08	2
17	55586	(000000-	) Ftg-Hyd Str Jm04/Om04	1
18	25611	(000000-	) Spacer Hub	1
19	377351	(000000-	) Hub, Drive, Brush, Disk, 1.00b 6t	1
20	19191	(000000-	) Spacer Hub	1
21	05686	(000000-	) Rod End M10 X1.5 W/Stud	1
22	72860	(000000-	) Arm Wldt, Support, Sqge,Lh	1
23	72842	(000000-	) Tube	1
24	87677	(000000-	) Sleeve, Nyl	1
25	84029	(000000-	) Sleeve, Nyl 45.0L	1
26	374613	(012504-	) Guard, String, Scrub Brush	1
27	25046	(000000-	) Screw, Hex, .25-20 X 1.00, 5	1
28	20178	(000000-	) Screw, Hex, .38-16 X 5.50, 5	1
29	50902	(000000-	) Nut, Hex, Lock, .38-16, NI	1
30	08361	(000000-	) Pin, Cotter, .250 X 1.25	3
31	09011	(000000-	) Screw, Hex, M8 X 1.25 X 30, Ss	4
32	01685	(000000-	) Washer, Flat, 0.31, Ss	12
33	08713	(000000-	) Nut, Hex, Lock, M8 X 1.25, NI, Ss	4
34	32716	(000000-	) Nut, Hex, Jam, M10 X 1.5, Ss	1
35	01686	(000000-	) Washer, Flat, 0.44b 1.00d .08, Ss	2
36	08714	(000000-	) Nut, Hex, Lock, M10 X 1.5, NI, Ss	1

Fig. 53 - Scrub Brush Group, Center

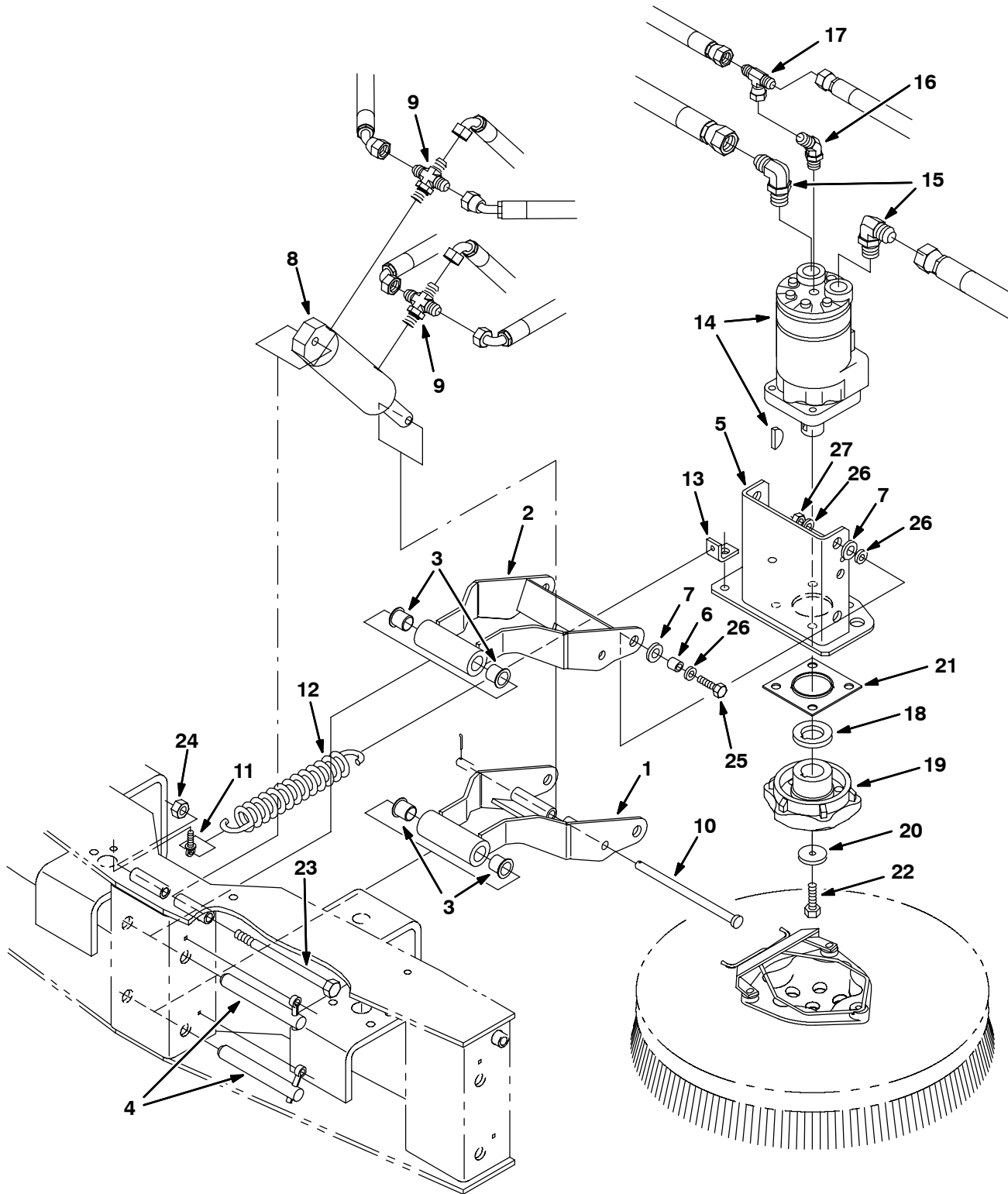


Fig. 53 - Scrub Brush Group, Center

Ref.	Part No.	Serial Number	Description	Qty.
1	72663	(000000-	) Link, Lower	1
2	72773	(000000-	) Link Wldt, Upper	1
3	72777	(000000-	) Bushing, Flanged, .625 Id	4
4	72775	(000000-	) Pin, Scrub Brush, .625D 5.00L	2
5	72839	(000000-	) Bracket, Motor	1
6	222460	(000000-	) Sleeve	4
7	86952	(000000-	) Washer-Flat .44 Std Nylon	8
8	379030	(000000-	) Cylinder, Hyd	1
9	82802	(000000-	) Ftg-Hyd Crs Jm04/Om04	2
10	49924	(000000-	) Pin,Clevis,0.37 Dia.X 6.12 Lg	1
11	48079	(000000-	) Bolt-Eye, .25-20Th .25B 1.4L	1
12	33404	(000000-	) Spring, Tension	1
13	72832	(000000-	) Angle, Retainer, Spring	1
14	73090	(000000-	) Motor, Hyd Gear In 07.3 B 1500 (See Breakdowns)	1
15	44868	(000000-	) Ftg-Hyd E90 Jm08/Om08	2
16	34359	(000000-	) Ftg-Hyd E45 Jm04/Om04	1
17	57411	(000000-	) Ftg-Hyd Tee Jm04Jfjm	1
18	25611	(000000-	) Spacer Hub	1
19	377351	(000000-	) Hub, Drive, Brush, Disk, 1.00b 6t	1
20	19191	(000000-	) Spacer Hub	1
21	374613	(012504-	) Guard, String, Scrub Brush	1
22	25046	(000000-	) Screw, Hex, .25-20 X 1.00, 5	1
23	20178	(000000-	) Screw, Hex, .38-16 X 5.50, 5	1
24	50902	(000000-	) Nut, Hex, Lock, .38-16, NI	1
25	09011	(000000-	) Screw, Hex, M8 X 1.25 X 30, Ss	4
26	01685	(000000-	) Washer, Flat, 0.31, Ss	12
27	08713	(000000-	) Nut, Hex, Lock, M8 X 1.25, NI, Ss	4

Fig. 54 - Scrub Brush Group, Right

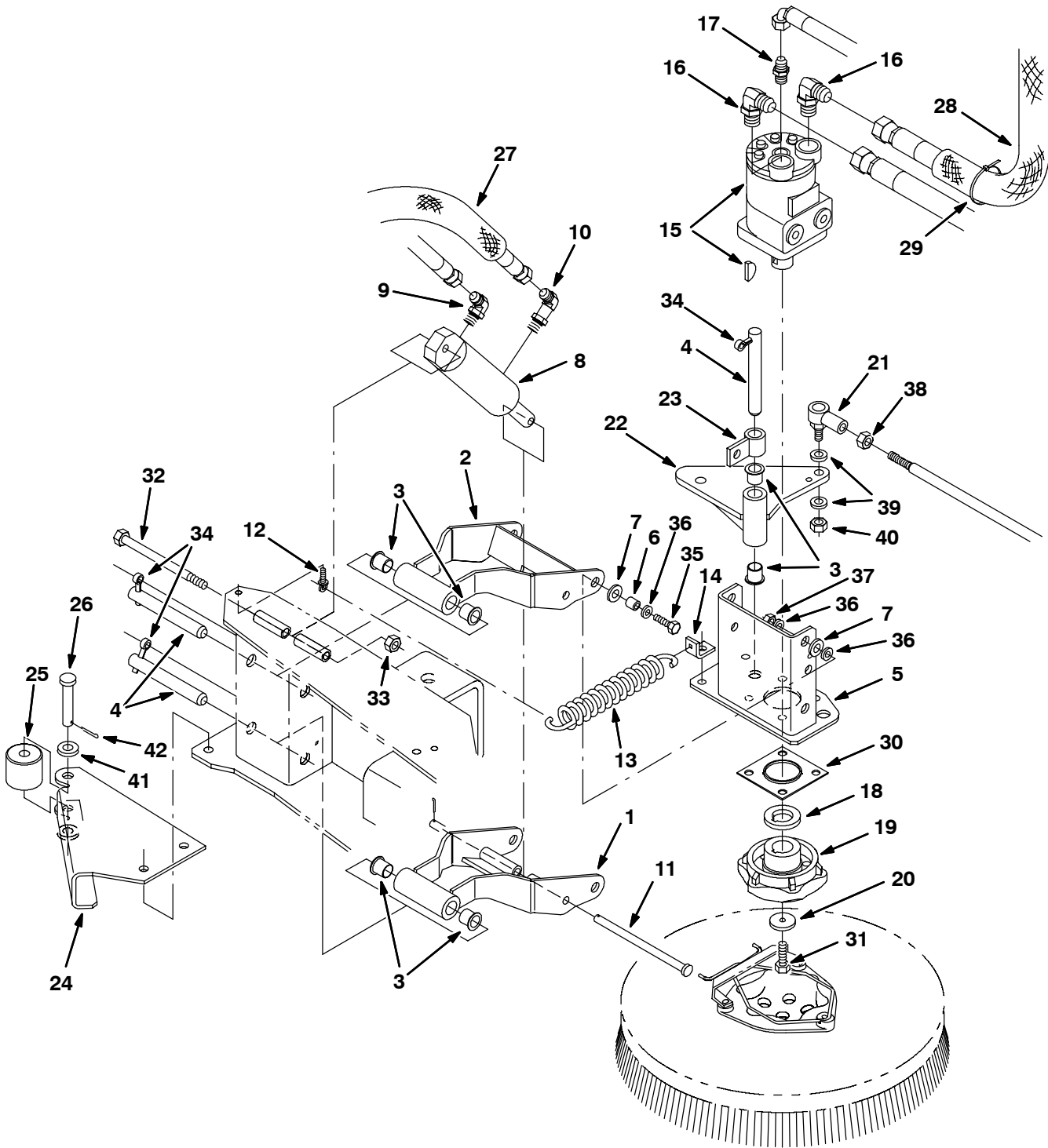


Fig. 54 - Scrub Brush Group, Right

Ref.	Part No.	Serial Number	Description	Qty.
1	72663	(000000-	) Link, Lower	1
2	72773	(000000-	) Link Wldt, Upper	1
3	72777	(000000-	) Bushing, Flanged, .625 Id	6
4	72775	(000000-	) Pin, Scrub Brush, .625D 5.00L	3
5	72839	(000000-	) Bracket, Motor	1
6	222460	(000000-	) Sleeve	4
7	86952	(000000-	) Washer-Flat .44 Std Nylon	8
8	379030	(000000-	) Cylinder, Hyd	1
9	77097	(000000-	) Ftg-Hyd E90 Jm04/Om04	1
10	82825	(000000-	) Ftg-Hyd E90 Jm04/Om04	1
11	49924	(000000-	) Pin,Clevis,0.37 Dia.X 6.12 Lg	1
12	48079	(000000-	) Bolt-Eye, .25-20Th .25B 1.4L	1
13	33404	(000000-	) Spring, Tension	1
14	72832	(000000-	) Angle, Retainer, Spring	1
15	73090	(000000-	) Motor, Hyd Gear In 07.3 B 1500 (See Breakdowns)	1
16	44868	(000000-	) Ftg-Hyd E90 Jm08/Om08	2
17	55586	(000000-	) Ftg-Hyd Str Jm04/Om04	1
18	25611	(000000-	) Spacer Hub	1
19	377351	(000000-	) Hub, Drive, Brush, Disk, 1.00b 6t	1
20	19191	(000000-	) Spacer Hub	1
21	05686	(000000-	) Rod End M10 X1.5 W/Stud	1
22	72859	(000000-	) Arm Wldt, Support, Squeegee,Rh	1
23	72842	(000000-	) Tube	1
24	72945	(000000-	) Guard, Scrub, Edge	1
25	72946	(000000-	) Roller 1.75	1
26	06279	(000000-	) Pin,Clevis,0.50 Dia.X 2.50 Lg	1
27	87677	(000000-	) Sleeve, Nyl	1
28	82833	(000000-	) Sleeve, Nyl 35.0L	1
29	49266	(000000-	) Tie, Cable	1
30	374613	(012504-	) Guard, String, Scrub Brush	1
31	25046	(000000-	) Screw, Hex, .25-20 X 1.00, 5	1
32	20178	(000000-	) Screw, Hex, .38-16 X 5.50, 5	1
33	50902	(000000-	) Nut, Hex, Lock, .38-16, NI	1
34	08361	(000000-	) Pin, Cotter, .250 X 1.25	3
35	09011	(000000-	) Screw, Hex, M8 X 1.25 X 30, Ss	4
36	01685	(000000-	) Washer, Flat, 0.31, Ss	12
37	08713	(000000-	) Nut, Hex, Lock, M8 X 1.25, NI, Ss	4
38	32716	(000000-	) Nut, Hex, Jam, M10 X 1.5, Ss	1
39	01686	(000000-	) Washer, Flat, 0.44b 1.00d .08, Ss	2
40	08714	(000000-	) Nut, Hex, Lock, M10 X 1.5, NI, Ss	1
41	41619	(000000-	) Washer, Flat, 0.56b 1.38d .11, Ss	1
42	08175	(000000-	) Pin, Cotter, .125 X 1.25	1

Fig. 55 - Scrub Hydraulic Control Solenoid Valve Group

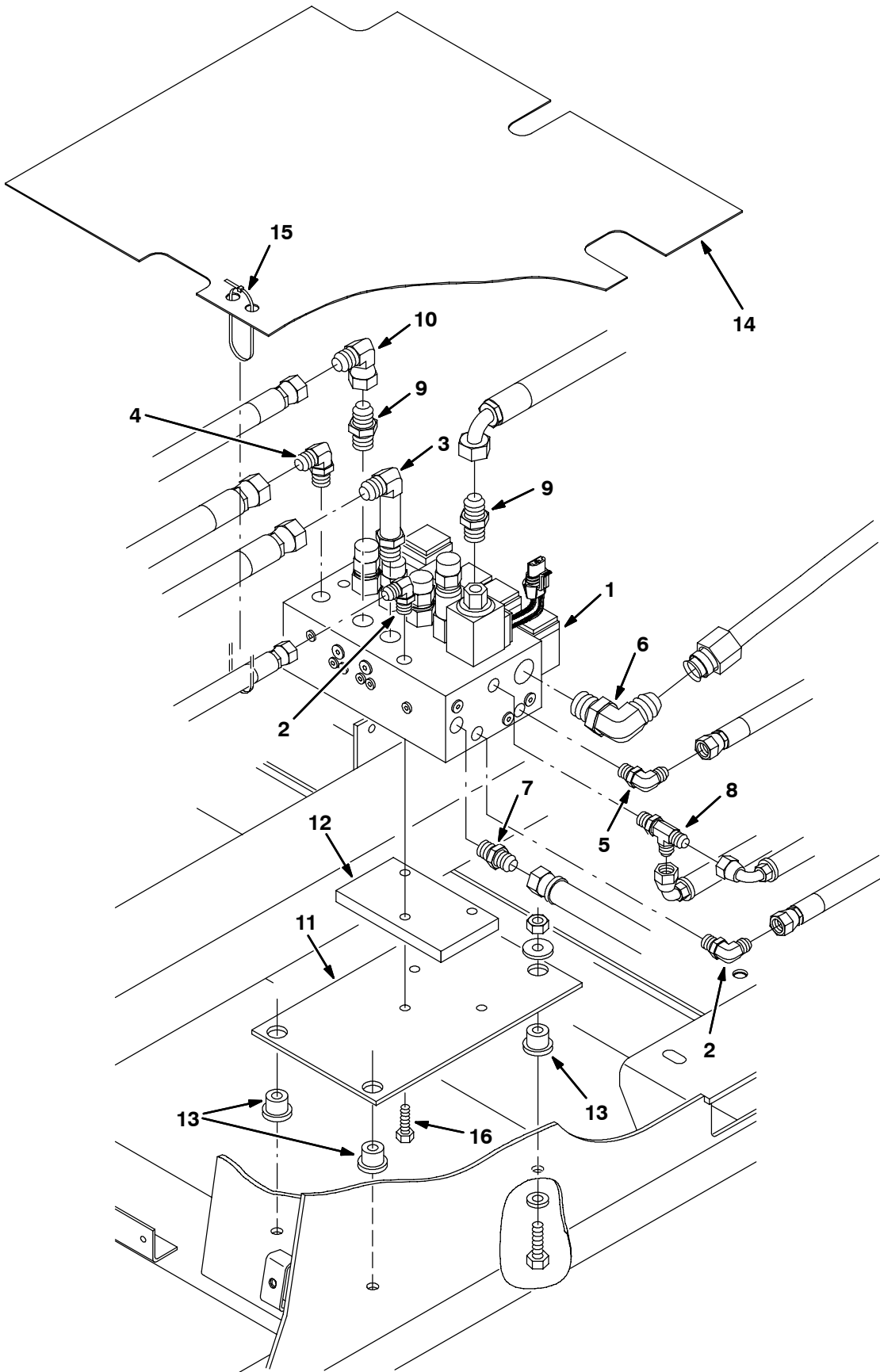
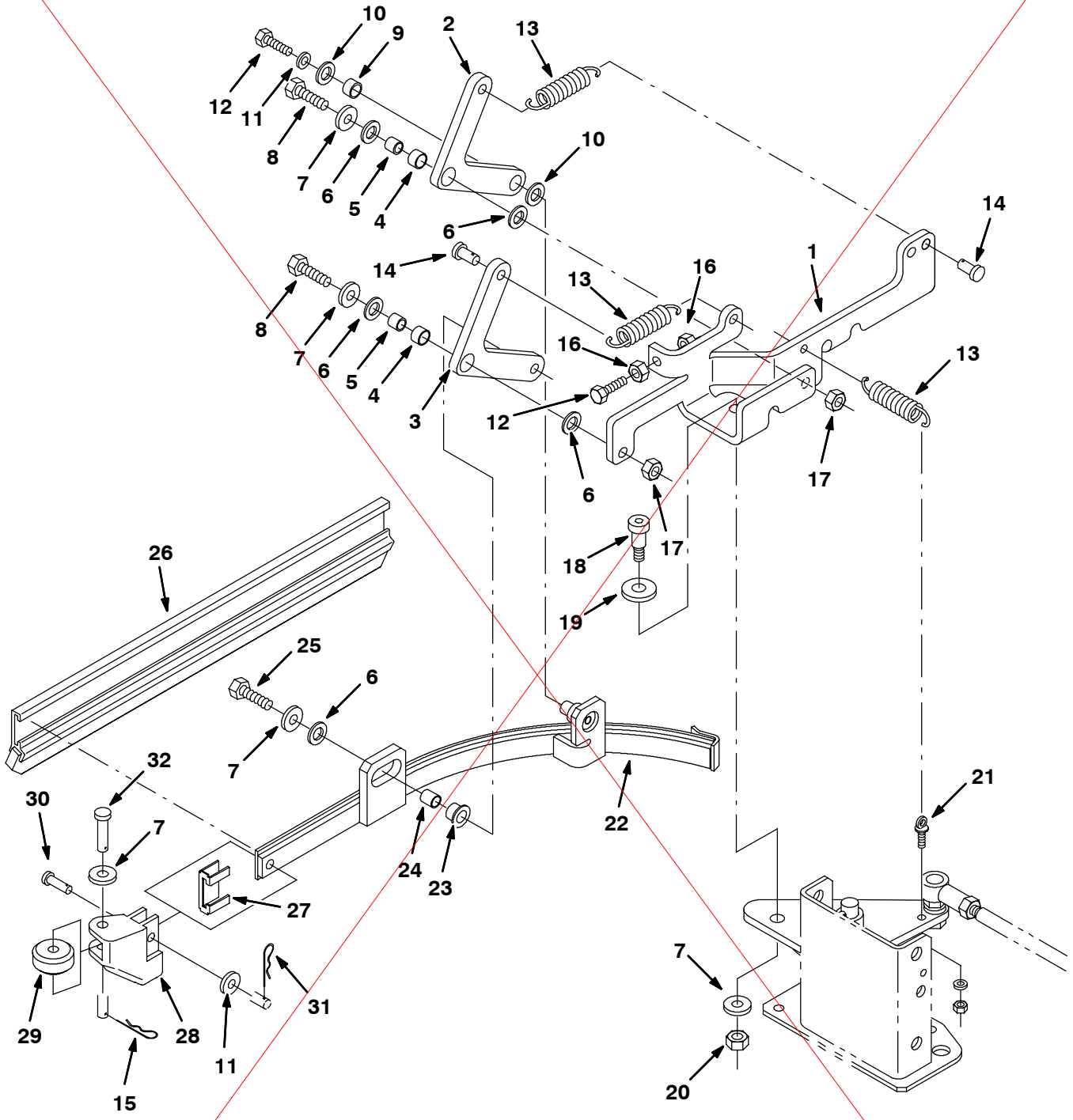


Fig. 55 - Scrub Hydraulic Control Solenoid Valve Group

Ref.	Part No.	Serial Number	Description	Qty.
1	84010	(000000-014999 )	Valve, Hyd Control Sol (See Breakdowns)	1
1	1032232	(015000- )	Valve, Hyd, Solenoid, 12vdc 0280psi (See Breakdowns)	1
2	77097	(000000- )	Ftg-Hyd E90 Jm04/Om04	2
3	69173	(000000- )	Ftg-Hyd E90 Jm08/Om08	1
4	56820	(000000- )	Ftg-Hyd E90 Jm06/Om06	1
5	82825	(000000- )	Ftg-Hyd E90 Jm04/Om04	1
6	46481	(000000- )	Ftg-Hyd E90 Jm12/Om12	1
7	56690	(000000- )	Ftg-Hyd Str Jm06/Om06	1
8	34390	(000000- )	Ftg-Hyd Tee Jm04Jmom	1
9	44869	(000000- )	Ftg-Hyd Str Jm08/Om08	2
10	17980	(000000- )	Ftg-Hyd E90 Jm08/Jf08	1
11	77260	(000000- )	Plate, Mounting, Valve	1
12	374725	(000000- )	Block, Mtg, Spacer, Plstc	1
13	54274	(000000- )	Isolator-Vibration, 125Lb. Ratng	3
14	374586	(012504- )	Shield, Hyd Solenoid	1
15	49266	(012504- )	Tie, Cable 1.75D Max 7.50Lg	1
16	59658	(000000- )	Screw, Hex, M08 X 1.25 X 35, Ss, NI	3

Fig. 56 - Scrub Right Side Squeegee Group



See insert for updated pages that show correct illustration and B/M for squeegee assemblies



Fig. 56 - Scrub Right Side Squeegee Group

Ref.	Part No.	Serial Number	Description	Qty.
	84118	(000000-	) Squeegee Assy, Rh 8410	1
1	83568	(000000-	) Bracket, Pivot, Sq Lift Rh	1
2	83564	(000000-	) Arm, Squeegee Lift Rear	1
3	83565	(000000-	) Arm, Squeegee Lift Front	1
4	71607	(000000-	) Bearing, .625B X .38	2
5	71608	(000000-	) Sleeve, Bearing .625Od X .515	2
6	64425	(000000-	) Washer, .656B 1.25D .06	5
7	01686	(000000-	) Washer Flt .38 Ss	5
8	77347	(000000-	) Screw Hexssm10X1.5 35	2
9	64173AM	(000000-	) Bushing, Sleeve, 0.50b 0.59d 0.38l, Stl	1
10	86860	(000000-	) Bearing, Thrust .500	2
11	01685	(000000-	) Washer Flt .31 Ss	2
12	09011	(000000-	) Scr Hexssm 8X1.25 30	2
13	87816	(000000-	) Spring, Extension	3
14	41305	(000000-	) Pin Clevis 0.37 Dia X 0.75 Lg	2
15	08085	(000000-	) Pin Hair Cotter .056Dx1.1L	1
16	07786	(000000-	) Nut Hx Ss M 8X1.25	2
17	08714	(000000-	) Nut-Hxlocnyln M10X1.5 Reg 18-8	2
18	33123	(000000-	) Scr-Shld .50Odx0.75L .38-16	1
19	41619	(000000-	) Washer Flt .50 Ss	1
20	36643	(000000-	) Nut-Hxlocnyln .38-16 Thin Pltd	1
21	48079	(000000-	) Bolt-Eye, .25-20Th .25B 1.4L	1
22	84093	(000000-	) Frame Wldt, Squeegee Rh	1
23	25730	(000000-	) Bearing, Flange .625B X .50	1
24	25736AM	(000000-	) Tube, 0.62d 0.41b 0.6l, Ss, Cham	1
25	12317	(000000-	) Scr Hexssm10X1.5 30	1
26	72934	(000000-	) Blade Assy, Squeegee, Side, Rh	1
27	86759	(000000-	) Retainer, Squeegee	1
28	77333	(000000-	) Guide, Side Squeegee	1
29	77331	(000000-	) Roller, Side Squeegee	1
30	69582	(000000-	) Pin,Clevis,0.31 Dia X 1.00 Lg	1
31	86866	(000000-	) Pin, Hair Cotter .375D .072Wir	1
32	29558	(000000-	) Pin,Clevis,0.37 Dia.X 1.50 Lg	1

See insert for updated pages that show  
correct illustration and B/M for squeegee assemblies

Fig. 56 - Scrub Right Side Squeegee Group

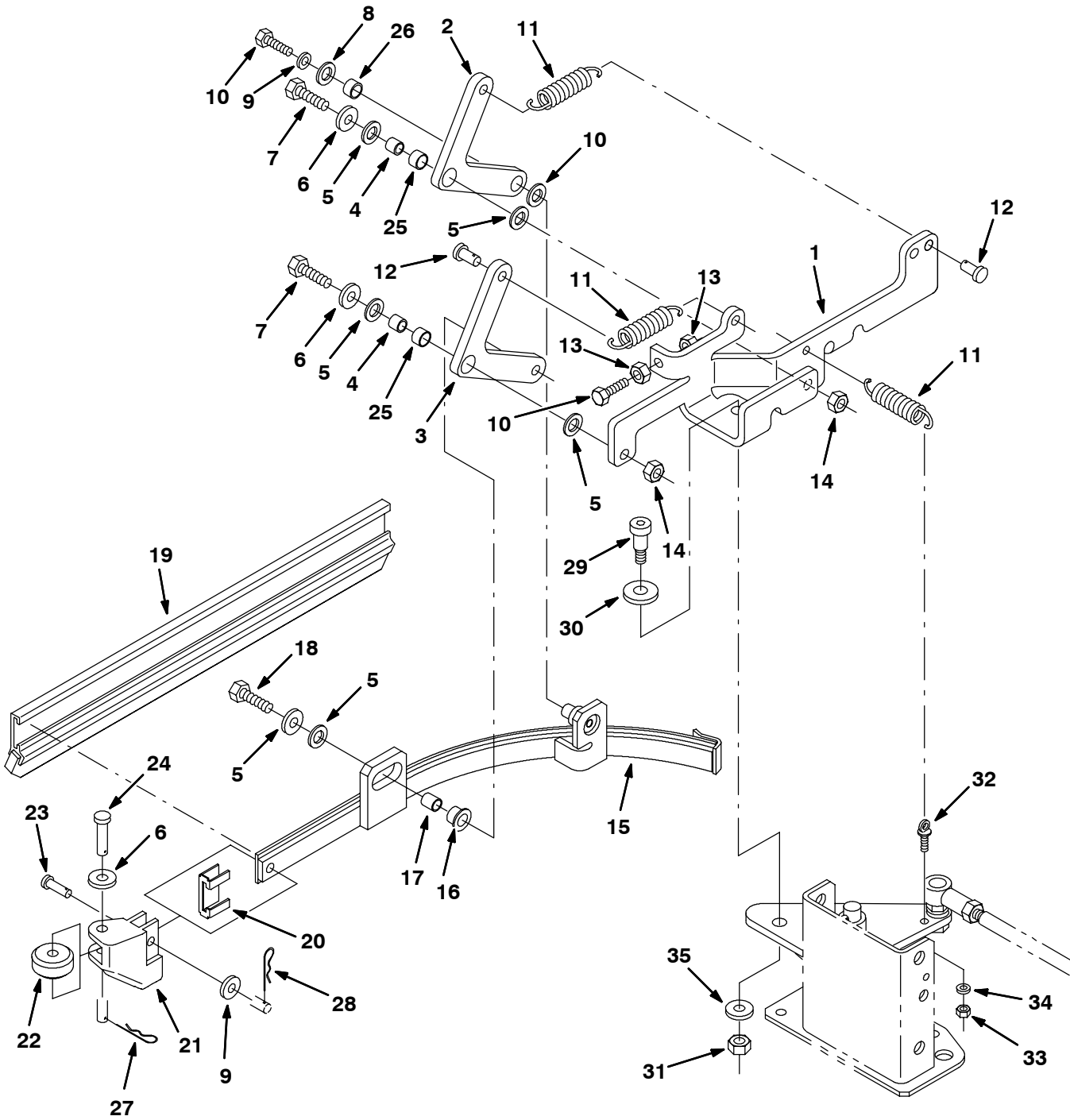
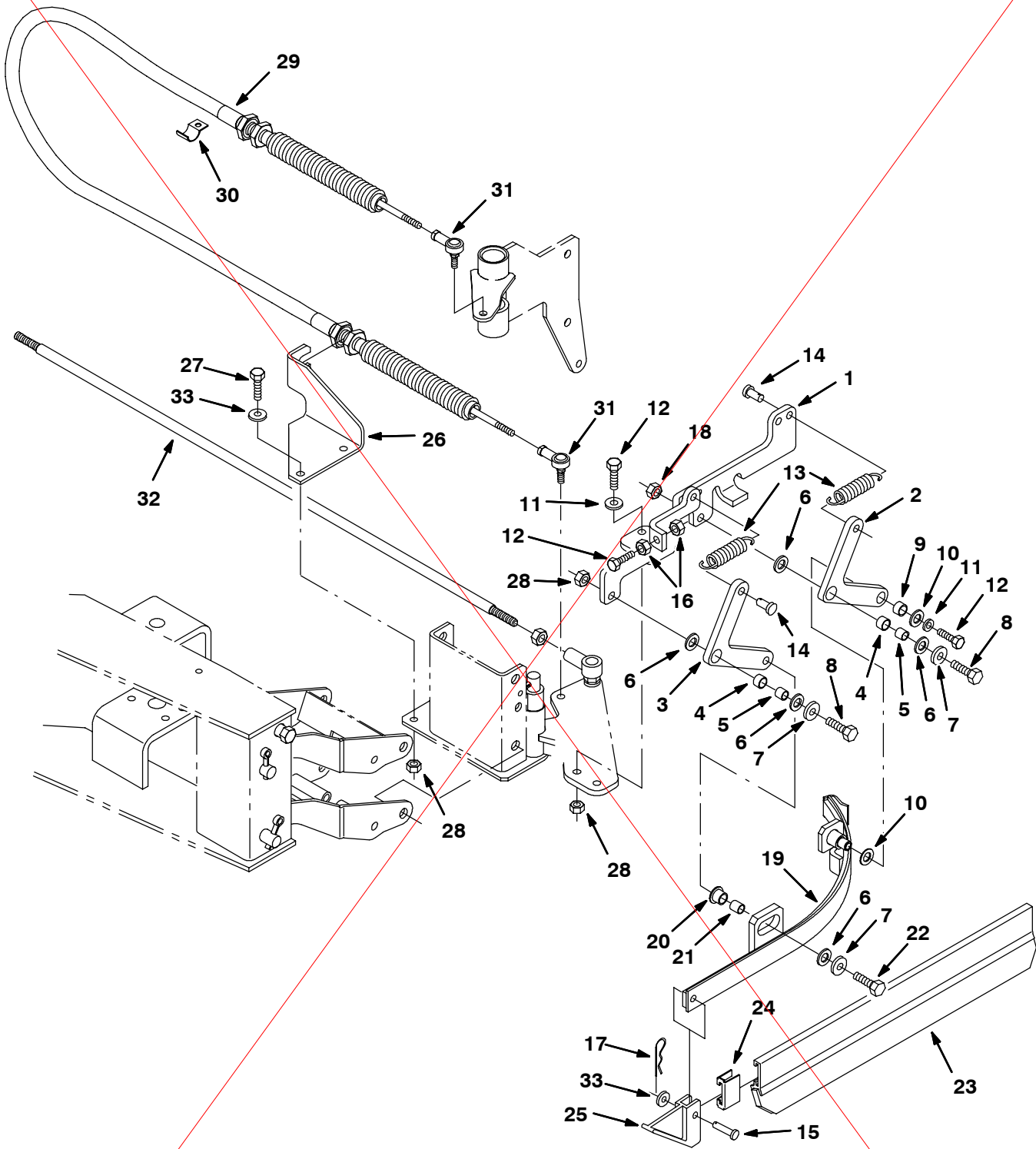


Fig. 56 - Scrub Right Side Squeegee Group

Ref.	Part No.	Serial Number	Description	Qty.
▽	84118	(000000-	) Squeegee Assy, Rh 8410	1
▲	1 83568	(000000-	) Bracket, Pivot, Sq Lift Rh	1
▲	2 83564	(000000-	) Arm, Squeegee Lift Rear	1
▲	3 83565	(000000-	) Arm, Squeegee Lift Front	1
▲	4 71608	(000000-	) Sleeve, Bearing .625Od X .515	2
▲	5 64425	(000000-	) Washer, .656B 1.25D .06	5
▲	6 01686	(000000-	) Washer Flt .38 Ss	4
▲	7 77347	(000000-	) Screw Hexssm10X1.5 35	2
▲	8 86860	(000000-	) Bearing, Thrust .500	2
▲	9 01685	(000000-	) Washer Flt .31 Ss	2
▲	10 09011	(000000-	) Scr Hexssm 8X1.25 30	2
▲	11 87816	(000000-	) Spring, Extension	3
▲	12 41305	(000000-	) Pin Clevis 0.37 Dia X 0.75 Lg	2
▲	13 07786	(000000-	) Nut Hx Ss M 8X1.25	2
▲	14 08714	(000000-	) Nut-Hxlocnyln M10X1.5 Reg 18-8	2
▲	15 84093	(000000-	) Frame Wldt, Squeegee Rh	1
▲	16 25730	(000000-	) Bearing, Flange .625B X .50	1
▲	17 25736AM	(000000-	) Tube, 0.62d 0.41b 0.6l, Ss, Cham	1
▲	18 12317	(000000-	) Scr Hexssm10X1.5 30	1
▲	19 72934	(000000-	) Blade Assy, Squeegee, Side, Rh	1
▲	20 86759	(000000-	) Retainer, Squeegee	1
▲	21 77333	(000000-	) Guide, Side Squeegee	1
▲	22 77331	(000000-	) Roller, Side Squeegee	1
▲	23 69582	(000000-	) Pin,Clevis,0.31 Dia X 1.00 Lg	1
▲	24 29558	(000000-	) Pin,Clevis,0.37 Dia.X 1.50 Lg	1
	25 71607	(000000-	) Bearing, .625B X .38	2
	26 64173AM	(000000-	) Bushing, Sleeve, 0.50b 0.59d 0.38l, Stl	1
	27 08085	(000000-	) Pin Hair Cotter .056Dx1.1L	1
	28 86866	(000000-	) Pin, Hair Cotter .375D .072Wir	1
	29 33123	(000000-	) Scr-Shld .50Odx0.75L .38-16	1
	30 41619	(000000-	) Washer Flt .50 Ss	1
	31 36643	(000000-	) Nut-Hxlocnyln .38-16 Thin Pltd	1
	32 48079	(000000-	) Bolt-Eye, .25-20Th .25B 1.4L	1
	33 41169	(000000-	) Nut, Hex, Lock, .25-20, NI, Ss	1
	34 32483	(000000-	) Washer, Flat, 0.25, Sae	1
	35 01686	(000000-	) Washer Flt .38 Ss	1

Fig. 57 - Scrub Left Side Squeegee Group



See insert for updated pages that show correct illustration and B/M for squeegee assemblies

Fig. 57 - Scrub Left Side Squeegee Group

Ref.	Part No.	Serial Number	Description	Qty.
	84116	(000000-	) Squeegee Assy, Lh 8410	1
1	83569	(000000-	) Bracket, Pivot, Sq Lift Lh	1
2	83564	(000000-	) Arm, Squeegee Lift Rear	1
3	83565	(000000-	) Arm, Squeegee Lift Front	1
4	71607	(000000-	) Bearing, .625B X .38	2
5	71608	(000000-	) Sleeve, Bearing .625Od X .515	2
6	64425	(000000-	) Washer, .656B 1.25D .06	5
7	01686	(000000-	) Washer Flt .38 Ss	3
8	77347	(000000-	) Screw Hexssm10X1.5 35	2
9	64173AM	(000000-	) Bushing, Sleeve, 0.50b 0.59d 0.38l, St	1
10	86860	(000000-	) Bearing, Thrust .500	2
11	01685	(000000-	) Washer Flt .31 Ss	3
12	09011	(000000-	) Scr Hexssm 8X1.25 30	4
13	87816	(000000-	) Spring, Extension	2
14	41305	(000000-	) Pin Clevis 0.37 Dia X 0.75 Lg	2
15	69582	(000000-	) Pin,Clevis,0.31 Dia X 1.00 Lg	1
16	07786	(000000-	) Nut Hx Ss M 8X1.25	2
17	86866	(000000-	) Pin, Hair Cotter .375D .072Wir	1
18	08714	(000000-	) Nut-Hxlocnyln M10X1.5 Reg 18-8	2
19	84092	(000000-	) Frame Wldt, Squeegee Lh	1
20	25730	(000000-	) Bearing, Flange .625B X .50	1
21	25736AM	(000000-	) Tube, 0.62d 0.41b 0.6l, Ss, Cham	1
22	12317	(000000-	) Scr Hexssm10X1.5 30	1
23	72934	(000000-	) Blade Assy, Squeegee, Side, Rh	1
24	86759	(000000-	) Retainer, Squeegee	1
25	86865	(000000-	) Guide, Side Squeegee	1
26	72864	(000000-	) Bracket, Support, Cable	1
27	09010	(000000-	) Scr Hexssm 8X1.25 25	2
28	08713	(000000-	) Nut-Hxlocnyln M 8X1.25 Reg Ss	4
29	72837	(000000-	) Cable, Push/Pull	1
30	15128-1	(000000-	) Clamp-Conduit, 1 Hole 0.50Dia	1
31	36466	(000000-	) Rod End .312-24 W/Stud	2
32	72838	(000000-	) Rod, Tie, Squeegee	1
33	01685	(000000-	) Washer Flt .31 Ss	2

See insert for updated pages that show  
correct illustration and B/M for squeegee assemblies

Fig. 57 - Scrub Left Side Squeegee Group

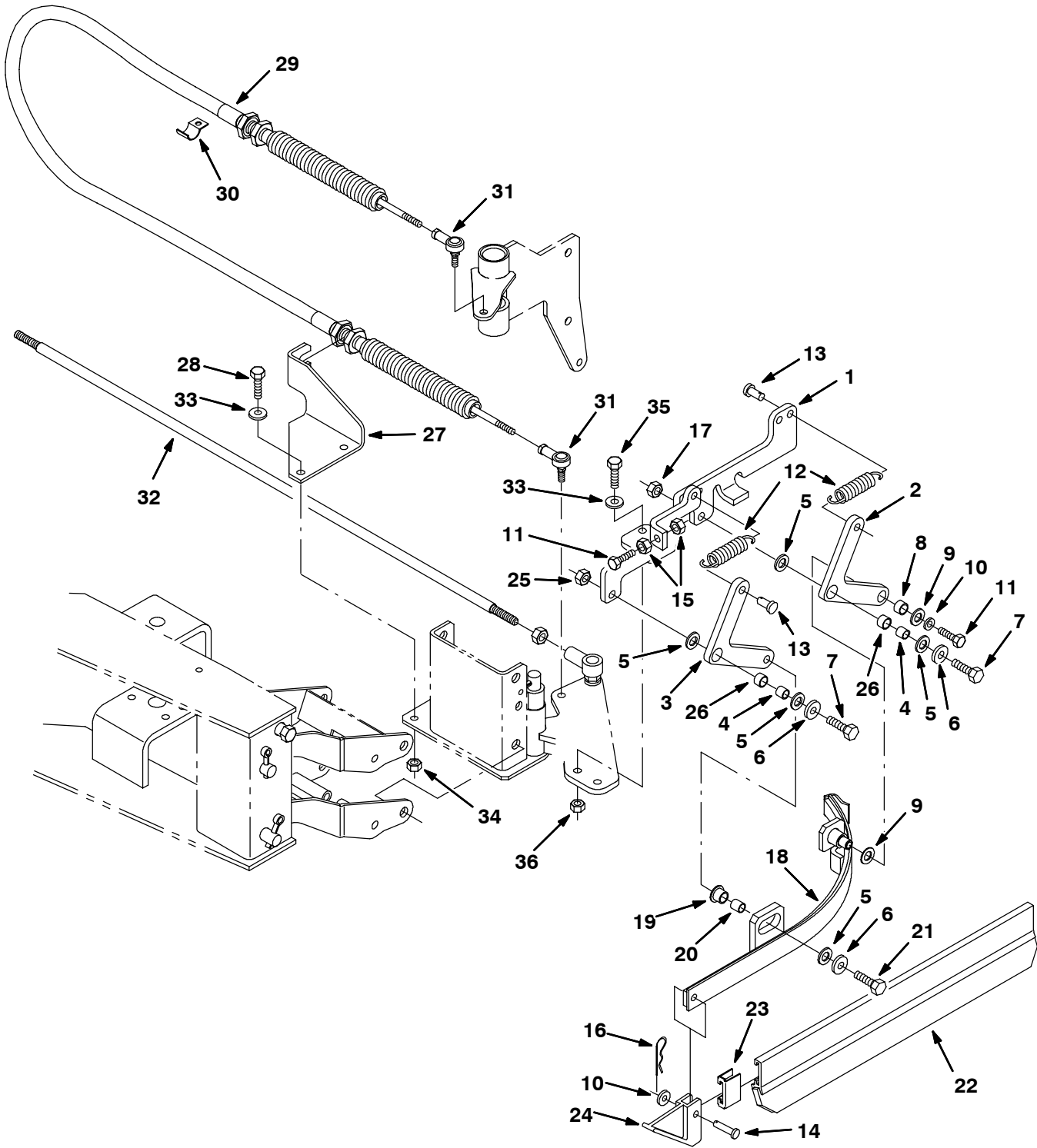


Fig. 57 - Scrub Left Side Squeegee Group

Ref.	Part No.	Serial Number	Description	Qty.
▽	84116	(000000-	) Squeegee Assy, Lh 8410	1
▲	1 83569	(000000-	) Bracket, Pivot, Sq Lift Lh	1
▲	2 83564	(000000-	) Arm, Squeegee Lift Rear	1
▲	3 83565	(000000-	) Arm, Squeegee Lift Front	1
▲	4 71608	(000000-	) Sleeve, Bearing .625Od X .515	2
▲	5 64425	(000000-	) Washer, .656B 1.25D .06	5
▲	6 01686	(000000-	) Washer Flt .38 Ss	3
▲	7 77347	(000000-	) Screw Hexssm10X1.5 35	2
▲	8 64173AM	(000000-	) Bushing, Sleeve, 0.50b 0.59d 0.38l, St	1
▲	9 86860	(000000-	) Bearing, Thrust .500	2
▲	10 01685	(000000-	) Washer Flt .31 Ss	2
▲	11 09011	(000000-	) Scr Hexssm 8X1.25 30	2
▲	12 87816	(000000-	) Spring, Extension	2
▲	13 41305	(000000-	) Pin Clevis 0.37 Dia X 0.75 Lg	2
▲	14 69582	(000000-	) Pin,Clevis,0.31 Dia X 1.00 Lg	1
▲	15 07786	(000000-	) Nut Hx Ss M 8X1.25	2
▲	16 86866	(000000-	) Pin, Hair Cotter .375D .072Wir	1
▲	17 08714	(000000-	) Nut-Hxlocnyln M10X1.5 Reg 18-8	2
▲	18 84092	(000000-	) Frame Wldt, Squeegee Lh	1
▲	19 25730	(000000-	) Bearing, Flange .625B X .50	1
▲	20 25736AM	(000000-	) Tube, 0.62d 0.41b 0.6l, Ss, Cham	1
▲	21 12317	(000000-	) Scr Hexssm10X1.5 30	1
▲	22 72934	(000000-	) Blade Assy, Squeegee, Side, Rh	1
▲	23 86759	(000000-	) Retainer, Squeegee	1
▲	24 86865	(000000-	) Guide, Side Squeegee	1
▲	25 08713	(000000-	) Nut-Hxlocnyln M 8X1.25 Reg Ss	2
	26 71607	(000000-	) Bearing, .625B X .38	2
	27 72864	(000000-	) Bracket, Support, Cable	1
	28 09010	(000000-	) Scr Hexssm 8X1.25 25	2
	29 72837	(000000-	) Cable, Push/Pull	1
	30 15128-1	(000000-	) Clamp-Conduit, 1 Hole 0.50Dia	1
	31 36466	(000000-	) Rod End .312-24 W/Stud	2
	32 72838	(000000-	) Rod, Tie, Squeegee	1
	33 01685	(000000-	) Washer Flt .31 Ss	4
	34 08713	(000000-	) Nut, Hex, Lock, M8 X 1.25, NI, Ss	2
	35 09011	(000000-	) Screw, Hex, M8 X 1.25 X 30, Ss	2
	36 07786	(000000-	) Nut, Hex, Std, M8 X 1.25, Ss	2

Fig. 58 - Scrub Rear Squeegee Linkage Group

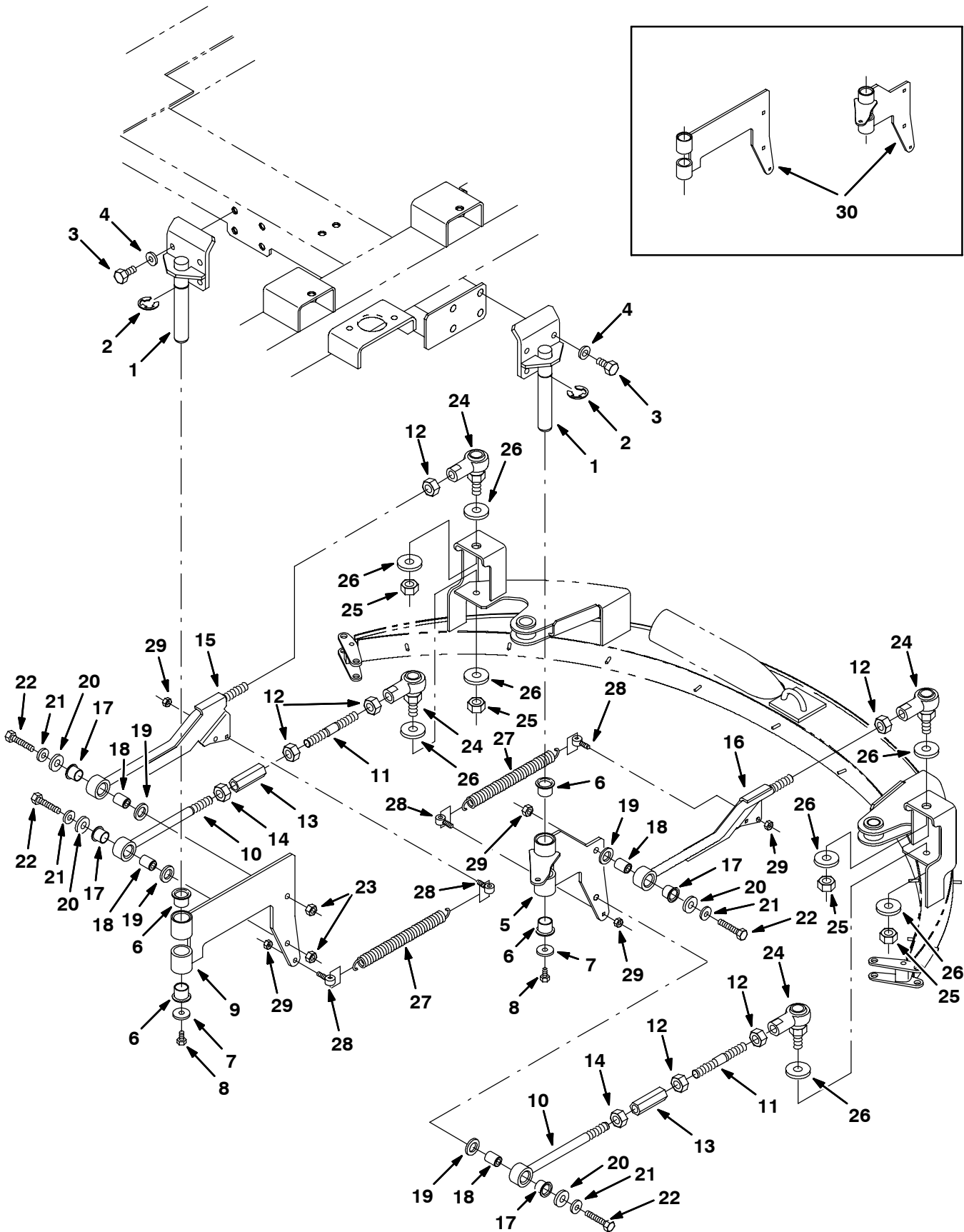




Fig. 58 - Scrub Rear Squeegee Linkage Group

Ref.	Part No.	Serial Number	Description	Qty.
1	72715	(000000-	) Pivot Wldt	2
2	23788	(000000-	) Ring,Retain,Ex,0.98Od,E-Ring	2
3	09028	(000000-	) Scr Hexssm 10X1.5 25	8
4	41187	(000000-	) Washer-Belleville .38 Pltd	8
5	385423	(012479-	) Link Wldt, Squeegee, Lh	1
6	54618AM	(000000-	) Bearing, Flange, 1.00 Bore	4
7	32662	(000000-	) Washer .380B 1.22D .06 Ss18-8	2
8	49826	(000000-	) Scr-Hexssm 8X1.25 16 Nylon Loc	2
9	385421	(012479-	) Link Wldt, Squeegee, Rh	1
10	73375	(000000-	) Arm Wldt, Bottom	2
11	77224	(000000-	) Arm	2
12	77276	(000000-	) Nut-Hx Jam .62-18	8
13	72919	(000000-	) Turnbuckle	2
14	77277	(000000-	) Nut-Hx Jam .62-18Left Ss18-8	2
15	73372	(000000-	) Arm Wldt, Top, Rh	1
16	77273	(000000-	) Arm Wldt, Top, Lh	1
17	72763	(000000-	) Bearing, Flange, .750 Bore	4
18	73370	(000000-	) Sleeve, .414B .74D .92 Stl	4
19	04846	(000000-	) Washer, Thrust	4
20	41619	(000000-	) Washer Flt .50 Ss	4
21	01686	(000000-	) Washer Flt .38 Ss	4
22	32731	(000000-	) Scr Hexssm10X1.5	4
23	08714	(000000-	) Nut-Hxlocnyln M10X1.5 Reg 18-8	4
24	77275	(000000-	) Balljoint, Rod End 5/8-18	4
25	40814	(000000-	) Nut-Hxlocnyln .62-18 Thin Pltd	4
26	32494	(000000-	) Washer Flt .62 Hard	8
27	46785-1	(000000-	) Sprng,Tens,0.87Odx.13Wire 9.0L	2
28	69998	(000000-	) Bolt-Eye, M 8X1.25 .328 1.18L	4
29	08713	(000000-	) Nut-Hxlocnyln M 8X1.25 Reg Ss	4
30	385427	(000000-012478 )	Kit, Replmt, Pivot, Squeegee	1

Fig. 59 - Scrub Rear Squeegee Lift Group

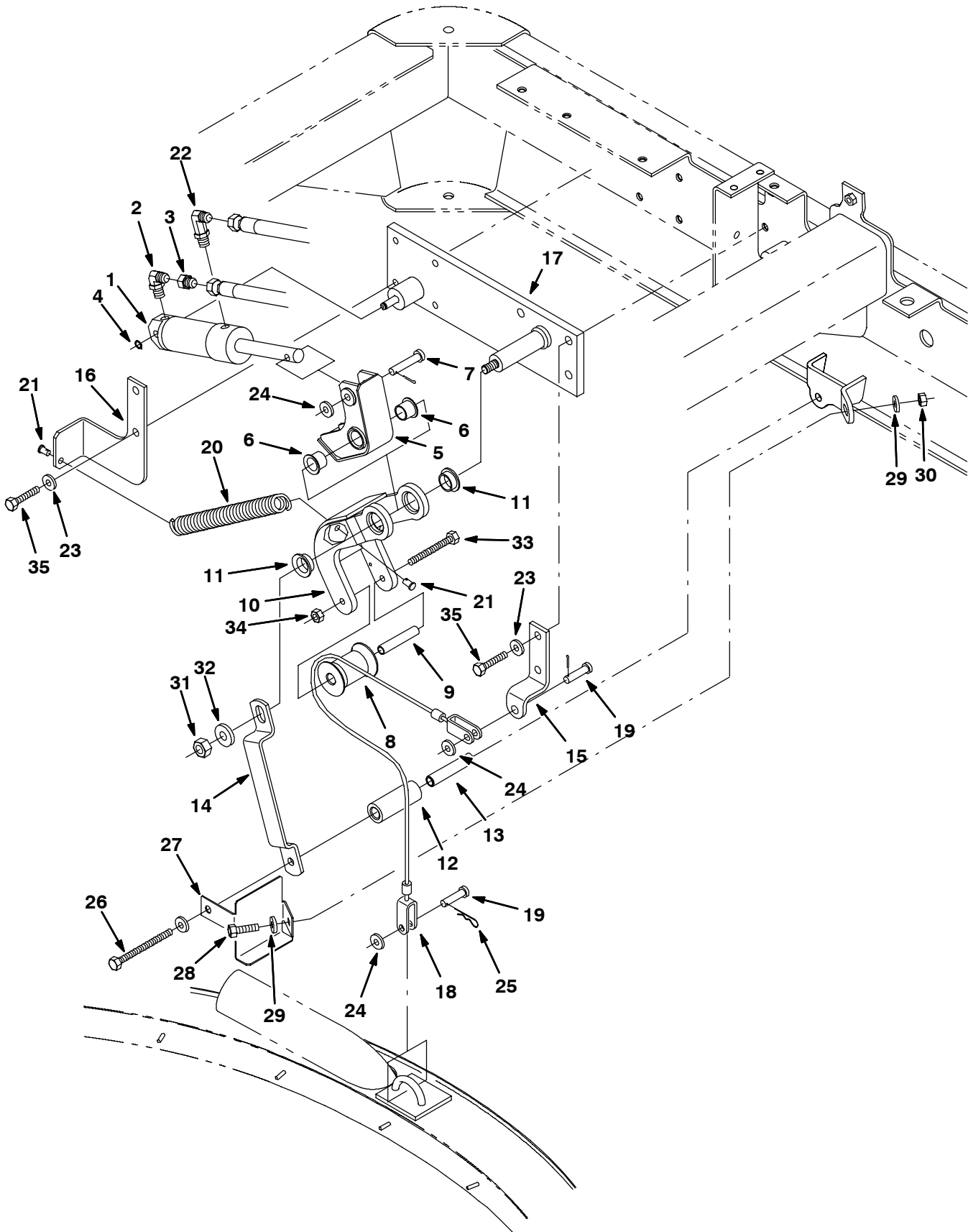


Fig. 59 - Scrub Rear Squeegee Lift Group

Ref.	Part No.	Serial Number	Description	Qty.
	1	73089	(000000- ) Cylinder, Hyd 1.5B 02.8S .2500	1
	2	77097	(000000- ) Ftg-Hyd E90 Jm04/Om04	1
	3	79447	(000000- ) Ftg-Hyd	1
	4	23524-1	(000000- ) Ring,Retain,Ex,0.37Od,Selflock	1
▽	5	83780	(000000- ) Bellcrank Kit, Upper	1
▲	6	56166	(000000- ) Bearing, Flange	2
	7	222260	(000000- ) Pin, Clevis, 0.37 Dia 2.25Lg	1
	8	83749	(000000- ) Roller, Thimble	1
	9	83756	(000000- ) Sleeve, Roller	1
▽	10	83781	(000000- ) Bellcrank Kit, Lower	1
▲	11	83733	(000000- ) Bearing, 1.00 Dia X .38 L	2
	12	23006	(000000- ) Sleeve, Roller	2
	13	23005	(000000- ) Sleeve, Roller	2
	14	23002	(000000- ) Bracket, Gusset, Rear	1
	15	72910	(000000- ) Bracket, Cable Clip	1
	16	23001	(000000- ) Bracket, Spring	1
	17	23004	(000000- ) Pin Wldt	1
	18	10542	(000000- ) Cable	1
	19	86240	(000000- ) Pin Clevis .375 Dia X 1.13 Lg	2
	20	23007	(000000- ) Spring, Extention	1
	21	41305	(000000- ) Pin Clevis 0.37 Dia X 0.75 Lg	2
	22	82825	(000000- ) Ftg-Hyd E90 Jm04/Om04	1
	23	41186	(000000- ) Washer-Belleville .31 Pltd	8
	24	01686	(000000- ) Washer Flt .38 Ss	3
	25	86866	(000000- ) Pin, Hair Cotter .375D .072Wir	1
	26	07819	(000000- ) Screw, Hex, M10 X 1.5 X 130, 8.8	1
	27	1014365	(000000- ) Shield, Tube, Plstc	1
	28	09010	(000000- ) Screw, Hex, M8 X 1.25 X 25, Ss	1
	29	01685	(000000- ) Washer, Flat, 0.31 Ss	2
	30	08713	(000000- ) Nut, Hex, Lock, M8 X 1.25, NI, Ss	1
	31	08711	(000000- ) Nut, Hex, Lock, M12 X 1.75,NI	1
	32	32493	(000000- ) Washer, Flat, 0.50 Std	1
	33	06959	(000000- ) Screw, Hex, M8 X 1.25 X 100, 8.8	1
	34	08713	(000000- ) Nut, Hex, Lock, M8 X 1.25, NI, Ss	1
	35	41342	(000000- ) Screw, Hex, M8 X 1.25 X 40, 8.8	6

**Fig. 60 - Scrub Rear Squeegee Frame Group**

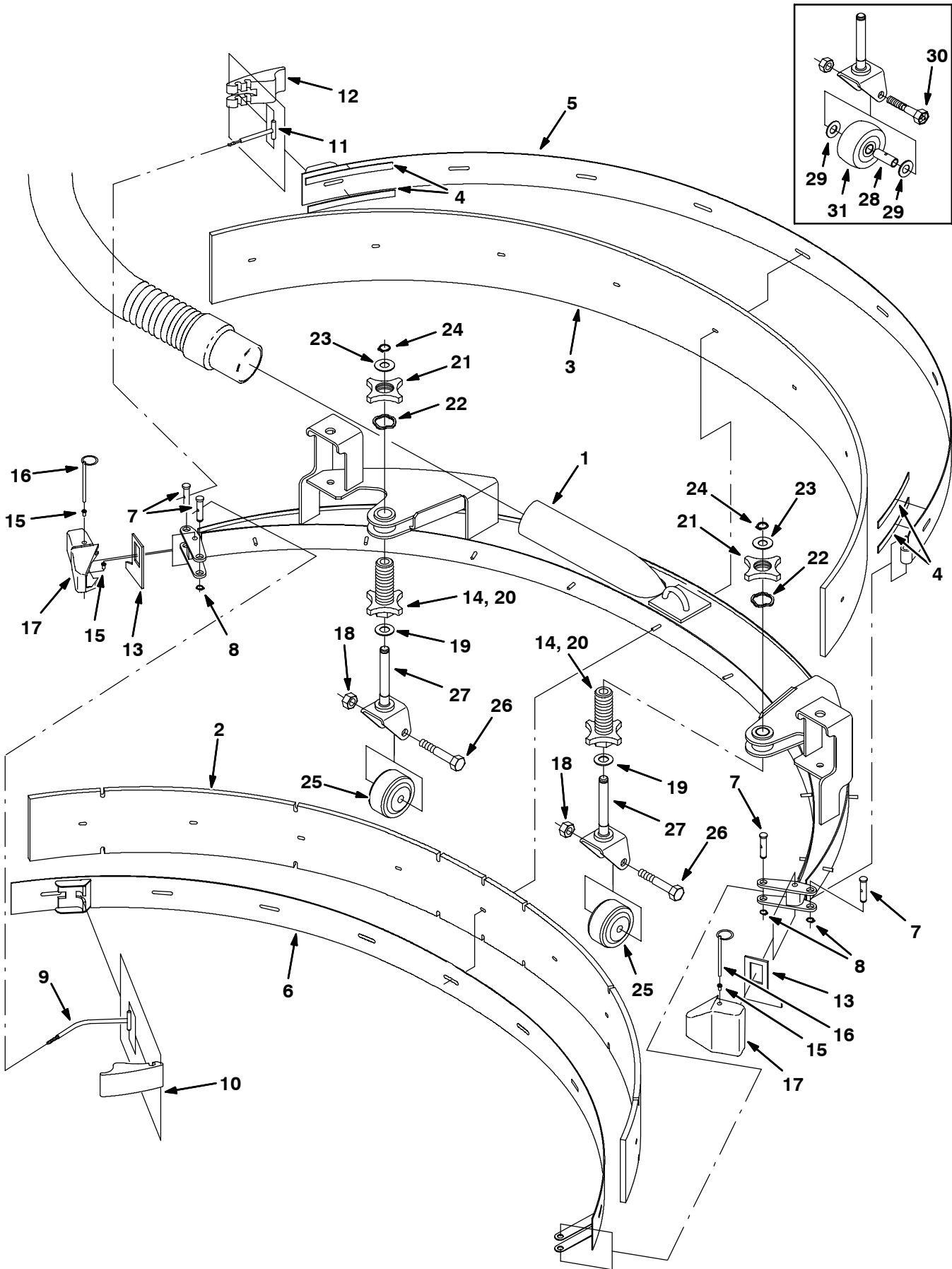


Fig. 60 - Scrub Rear Squeegee Frame Group

Ref.	Part No.	Serial Number	Description	Qty.
▽	83992	(000000- )	Squeegee Kit, Replmt	1
▲	1 83800	(000000- )	Frame, Squeegee	1
▲	2 83809	(000000- )	Blade, Squeegee	1
▲	3 83810	(000000- )	Blade, Squeegee	1
▲	4 03495	(000000- )	Strip, Nonslip	4
▲	5 83804	(000000- )	Strip Wldt, Rear Retainer	1
▲	6 83801	(000000- )	Strip Wldt, Front Retainer	1
▲	7 21603	(000000- )	Pin	4
▲	8 24555	(000000- )	Ring, Retaining, External	4
▲	9 83794	(000000- )	Rod	1
▲	10 21601	(000000- )	Cam	1
▲	11 21606	(000000- )	Pin	1
▲	12 21602	(000000- )	Cam	1
▲	13 83874	(000000- )	Gasket	2
▲	14 77228	(000000- )	Knob, Adj	1
▲▽	21614	(000000- )	Kit, Bumper, Squeegee	1
▲▲	15 79219	(000000- )	Retainer	4
▲▲	16 71199	(000000- )	Pin, Hitch	2
▲▲	17 21586	(000000- )	Bumper, Squeegee	2
▽	78979	(000000- )	Kit, Caster, Squeegee	2
▲	18 02931	(000000- )	Nut, Hex, Lock, .50-13, NI, Ss	1
▲	19 07450	(000000- )	Bearing, Thrust	1
▲	20 77228	(000000- )	Knob, Adj	1
▲	21 77227	(000000- )	Knob, Jam	1
▲	22 79217	(000000- )	Washer	1
▲	23 77272	(000000- )	Washer	1
▲	24 01516	(000000- )	Ring, Retaining	1
▲	25 20833	(012216- )	Wheel, 3 Inch Dia	1
▲	26 81952	(012216- )	Screw	2
▲	27 84593	(000000- )	Pivot	1
	28 75050	(000000-012215 )	Bushing, Spanner	2
	29 64425	(000000-012215 )	Washer	4
	30 76943	(000000-012215 )	Bolt	2
	31 10165	(000000-012215 )	Wheel, 3 Inch Dia.	2

Fig. 61 - Scrub Solution Control Group (000000-013311)

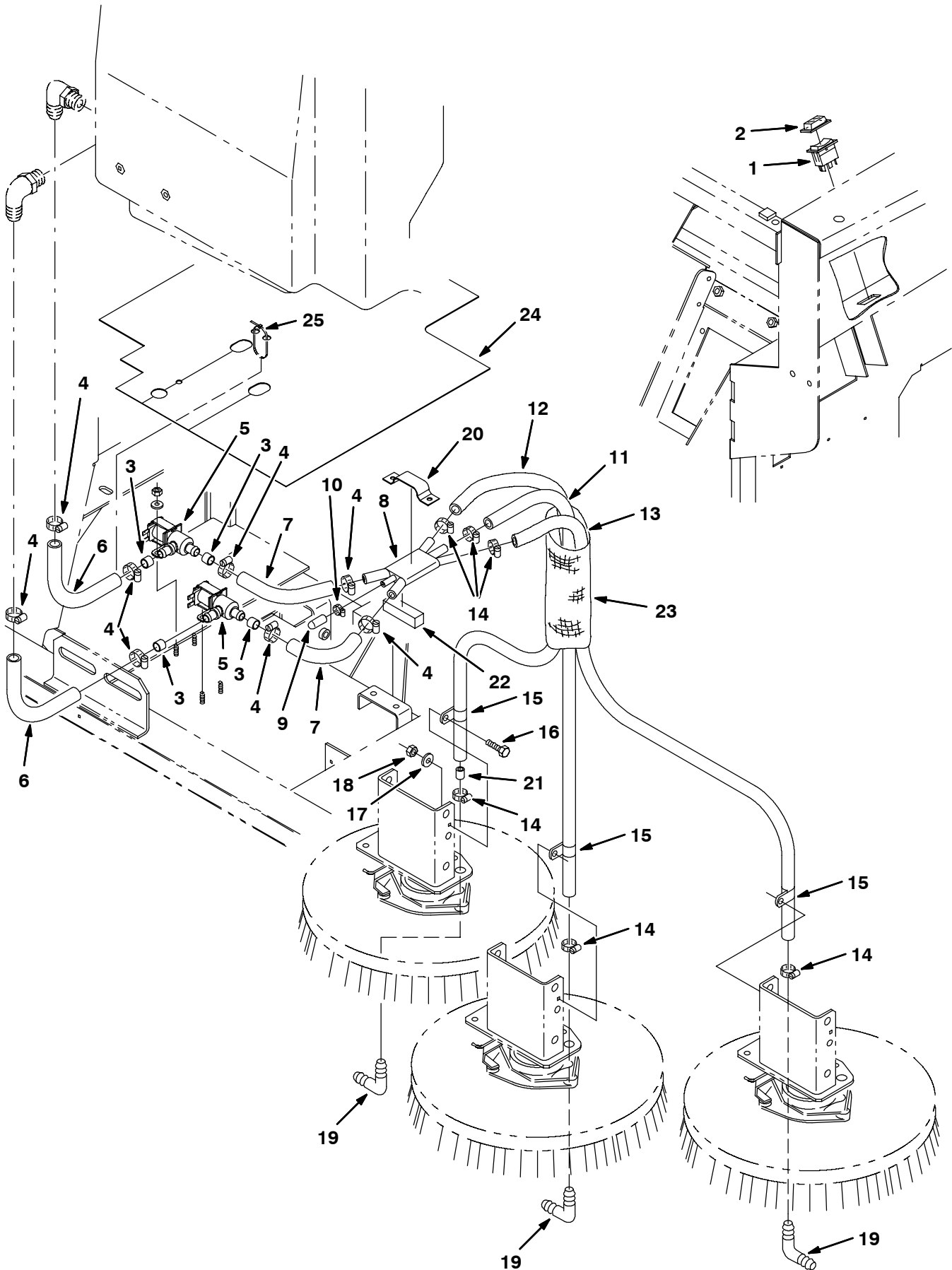


Fig. 61 - Scrub Solution Control Group (000000-013311)

Ref.	Part No.	Serial Number	Description	Qty.
1	71665	(000000-013311 )	Switch, Progressive	1
2	57807	(000000-013311 )	Cover, Rocker Switch Seal	1
3	84095	(000000-013311 )	Hose, Vin Clr .5ld .70D .5L	4
4	86824	(000000-013311 )	Clamp-Wormdrive 0.50-1.06D	8
5	369850	(000000-013311 )	Valve, Water, Sol. 12VOC	2
6	84140	(000000-013311 )	Hose, Vinyl	2
7	71425	(000000-013311 )	Hose,.62 ldx60.00 Lng Heater	2
8	83630	(000000-013311 )	Manifold, Water Distribution	1
9	20806	(000000-013311 )	Cap, Neoprene, Black	1
10	43844	(000000-013311 )	Clamp-Wormdrive, 0.25- 0.62D	1
11	84056	(000000-013311 )	Hose, Vin Wire .51D .70D 30.0L	1
12	65587	(000000-013311 )	Hose, Pvc, .50ldx.73Od 34.0Lg	1
13	84057	(000000-013311 )	Hose, Vin Wir .5ld .7Od 47.0L	1
14	54333	(000000-013311 )	Clamp-Wormdrive, 0.31- 0.88D	6
15	67767	(000000-013311 )	Clamp-Cable,.69Dia. 62Wth	3
16	09740	(000000-013311 )	Scr Hexssm 8X1.25	3
17	01685	(000000-013311 )	Washer Flt .31 Ss	3
18	08713	(000000-013311 )	Nut-Hxlocnyln M 8X1.25 Reg Ss	3
19	63987-1	(000000-013311 )	Ftg,Plstc,Elb,Barb.50Hs-.50Hse	3
20	84110	(000000-013311 )	Bracket, Mounting, Manifold Wa	1
21	77334	(000000-013311 )	Fitting, Plastic, Str,Ba.31ld-	1
22	84119	(000000-013311 )	Seal, Foam Rbr .8 .8 2.8L	1
23	84121	(000000-013311 )	Sleeve, Nyl See60150 #33 14.0L	1
24	374585	(012504-013311 )	Shield, Valve, Water (Replaced by 1021095)	1
25	49266	(012504-013311 )	Tie, Cable 1.75d Max 7.50lg	1

Fig. 62 - Scrub Solution Control Group (013312-014211)

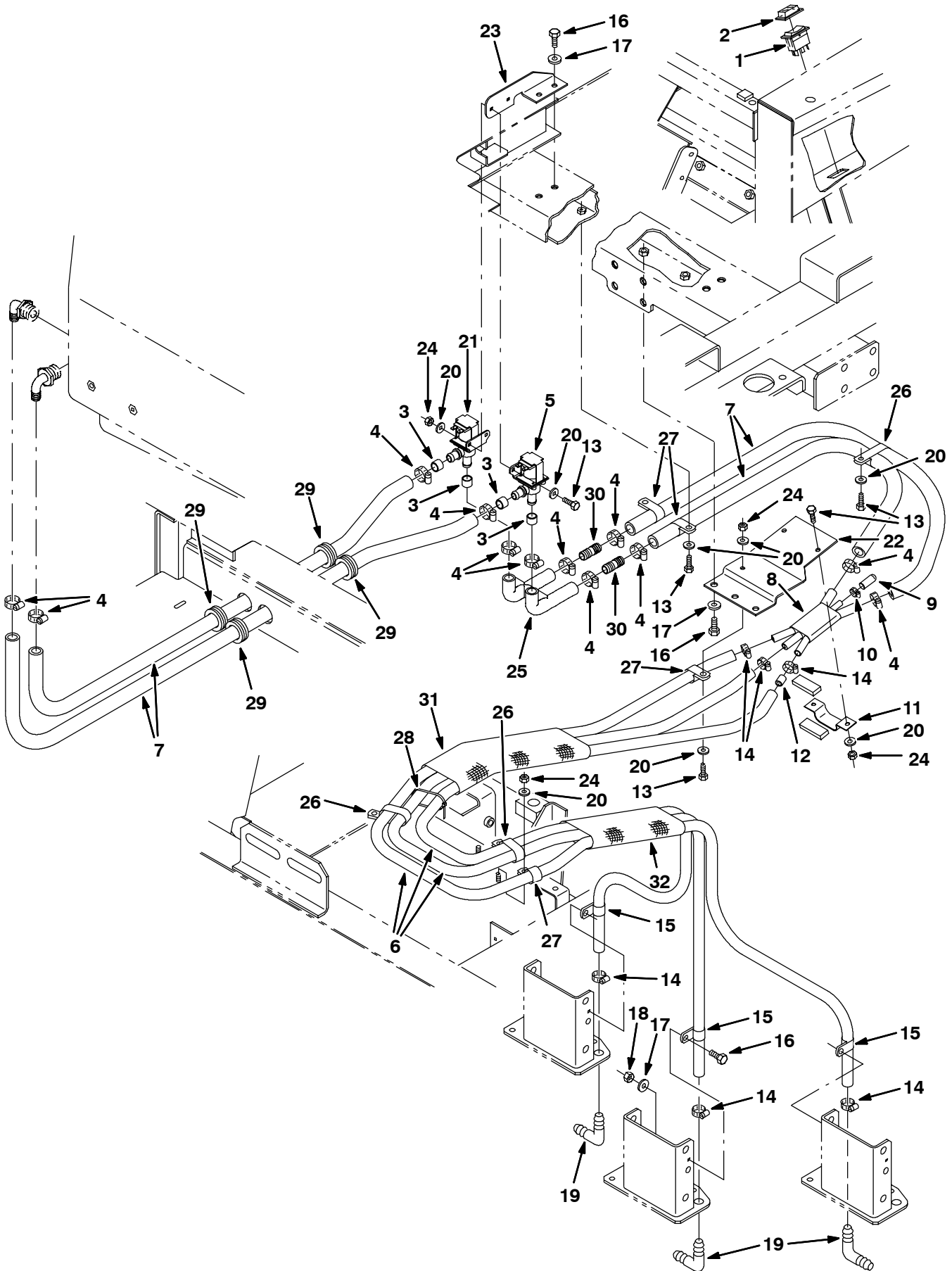




Fig. 62 - Scrub Solution Control Group (013312-014211)

Ref.	Part No.	Serial Number	Description	Qty.
1	71665	(013312-014211 )	Switch, Progressive	1
2	57807	(013312-014211 )	Cover, Rocker Switch Seal	1
3	84095	(013312-014211 )	Hose, Vin Clr .5ld .70D .5L	4
4	86824	(013312-014211 )	Clamp-Wormdrive 0.50-1.06D	12
5	369850	(013312-014211 )	Valve, Water, Sol. 12VOC	1
6	374701	(013312-014211 )	Hose, Pvc, Wir, 0.50id	3
7	374700	(013312-014211 )	Hose, Pvc, Brd, 0.62id	4
8	83630	(013312-014211 )	Manifold, Water Distribution	1
9	20806	(013312-014211 )	Cap, Neoprene, Black	1
10	43844	(013312-014211 )	Clamp-Wormdrive, 0.25- 0.62D	1
11	84110	(013312-014211 )	Bracket, Mtg, Manifold, Water	1
12	77334	(013312-014211 )	Fitting, Plastic, Str,Ba.31ld	1
13	08716	(013312-014211 )	Screw, Hex, M 6 X 1.0 X 20, Ss	8
14	54333	(013312-014211 )	Clamp-Wormdrive, 0.31- 0.88D	6
15	67767	(013312-014211 )	Clamp-Cable,.69Dia. 62Wth	3
16	09740	(013312-014211 )	Scr Hexssm 8X1.25 X 20	7
17	01685	(013312-014211 )	Washer Flt .31 Ss	7
18	08713	(013312-014211 )	Nut-Hxlocnyln M 8X1.25 Reg Ss	3
19	63987-1	(013312-014211 )	Ftg,Plstc,Elb,Barb.50Hs-.50Hse	3
20	01684	(013312-014211 )	Washer, Flat, 0.25 Ss	14
21	374704	(013312-014211 )	Valve, Solenoid, Water Flow, 12vdc	1
22	374712	(013312-014211 )	Bracket, Mtg, Manifold, Soltn	1
23	374724	(013312-014211 )	Bracket, Mtg, Valve, Soltn	1
24	08708	(013312-014211 )	Nut, Hex, Lock, M 6 X 1.0, NI	8
25	1001303	(013312-014211 )	Manifold, Soltn Cntrl	1
26	09570	(013312-014211 )	Clamp, Cable, Stl, 0.9x1.8x0.62w, 1h	3
27	69234	(013312-014211 )	Clamp, Cable, Stl, 1.00d X 0.62w, 1h	5
28	49266	(013312-014211 )	Tie, Cable, Nyl, 07.3l .19w 1.8 Max D	1
29	10632-1	(013312-014211 )	Grommet, Rbr, 1.06id, F/ 1.4h, .19matl	4
30	365164	(013312-014211 )	Fitting, Plstc, Str, Bm10/Bm10	2
31	57224	(013312-014211 )	Sleeve, Nyl, #37 16.0l	1
32	84121	(013312-014211 )	Sleeve, Nyl, #33 14.0l	1

**Fig. 63 - Scrub Solution Control Group (014212- )**

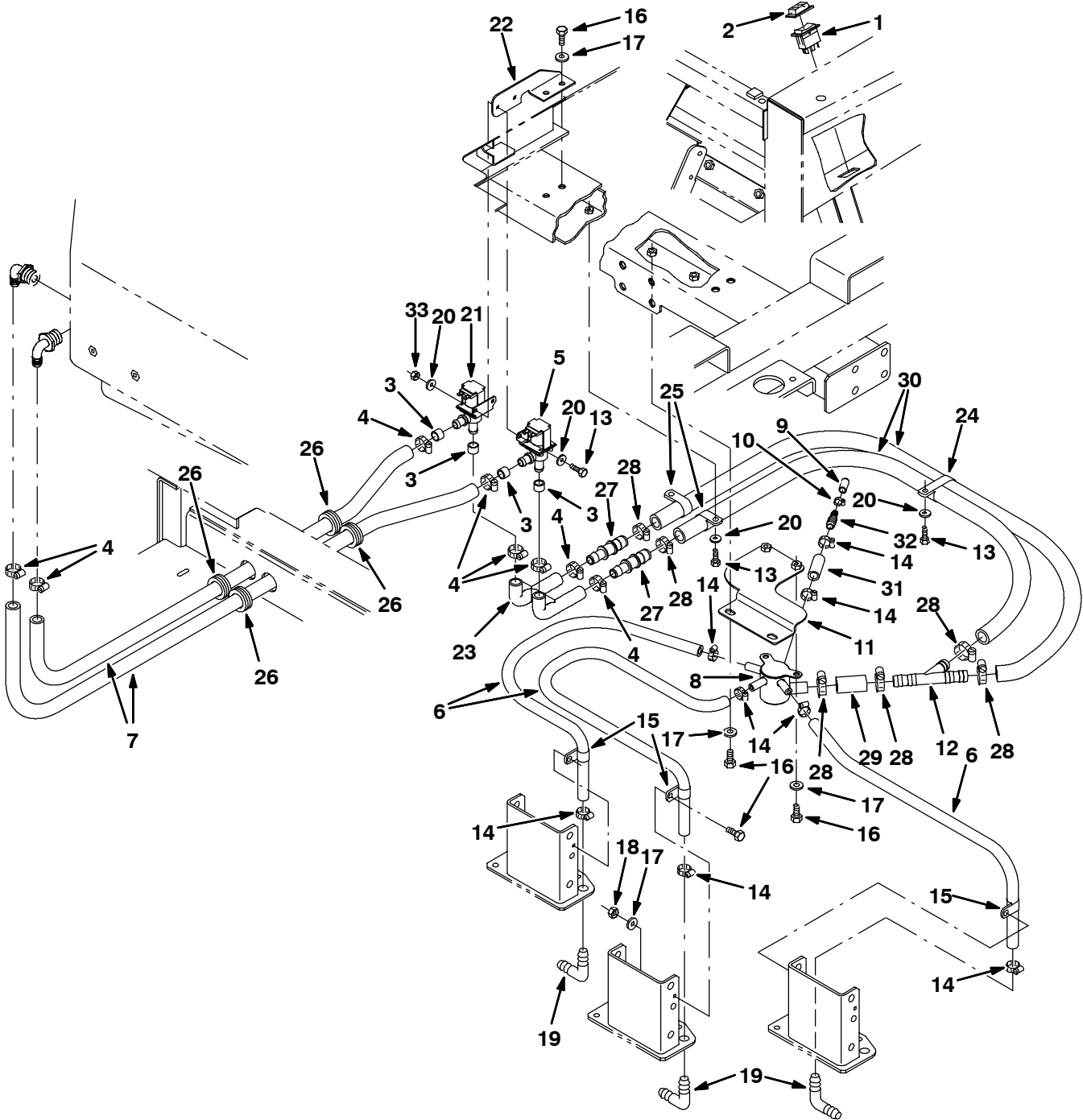


Fig. 63 - Scrub Solution Control Group (014212- )

Ref.	Part No.	Serial Number	Description	Qty.
1	71665	(014212-	) Switch, Progressive	1
2	57807	(014212-	) Cover, Rocker Switch Seal	1
3	84095	(014212-	) Hose, Vin Clr .5Id .70D .5L	4
4	86824	(014212-	) Clamp-Wormdrive 0.50-1.06D	8
5	369850	(014212-	) Valve, Water, Sol. 12VOC	1
6	1024237	(014212-	) Hose, Pvc, Wir, 0.50id	3
7	1015032	(014212-	) Hose, Pvc, Brd, 0.62id	1
8	1023491	(014212-	) Manifold, Water Distribution	1
9	20806	(014212-	) Cap, Neoprene, Black	1
10	43844	(014212-	) Clamp-Wormdrive, 0.25- 0.62D	1
11	1022148	(014212-	) Bracket, Mtg, Manifold, Water	1
12	393255	(014212-	) Fitting, Plastic, Str,Ba.31Id	1
13	08716	(014212-	) Screw, Hex, M 6 X 1.0 X 20, Ss	5
14	54333	(014212-	) Clamp-Wormdrive, 0.31- 0.88D	8
15	67767	(014212-	) Clamp-Cable,.69Dia. 62Wth	3
16	09740	(014212-	) Scr Hexssm 8X1.25 X 20	9
17	01685	(014212-	) Washer Flt .31 Ss	9
18	08713	(014212-	) Nut-Hxlocnyln M 8X1.25 Reg Ss	3
19	63987-1	(014212-	) Ftg,Plstc,Elb,Barb.50Hs-.50Hse	3
20	01684	(014212-	) Washer, Flat, 0.25 Ss	7
21	374704	(014212-	) Valve, Solenoid, Water Flow, 12vdc	1
22	374724	(014212-	) Bracket, Mtg, Valve, Soltn	1
23	1001303	(014212-	) Manifold, Soltn Cntrl	1
24	67366	(014212-	) Clamp, Cable, Stl, 1.0x2.0x0.62w, 1h	1
25	53466	(014212-	) Clamp, Cable, Stl, 1.50d X 1.00w, 1h	2
26	10632-1	(014212-	) Grommet, Rbr, 1.06id, F/ 1.4h, .19matl	4
27	363543	(014212-	) Fitting, Plstc, Str, Bm10/Bm10	2
28	11399	(014212-	) Clamp, Hose, Wormdrive, 0.81-1.50d, .56w	6
29	1015048	(014212-	) Hose, Afmkt, Pvc, Brd 0.75id 1ft	1
30	1006410	(014212-	) Hose, Afmkt, Pvc, Brd 0.75id 3ft	2
31	1024020	(014212-	) Hose, Afmkt, Pvc, Wir, 0.50 Id 1ft	1
32	222375	(014212-	) Fitting, Plstc, Str, Bm06/Bm08	1
33	08708	(014212-	) Nut, Hex, Lock, M6 X 1.0, NI	2

Fig. 64 - Scrub Solution Tank Group

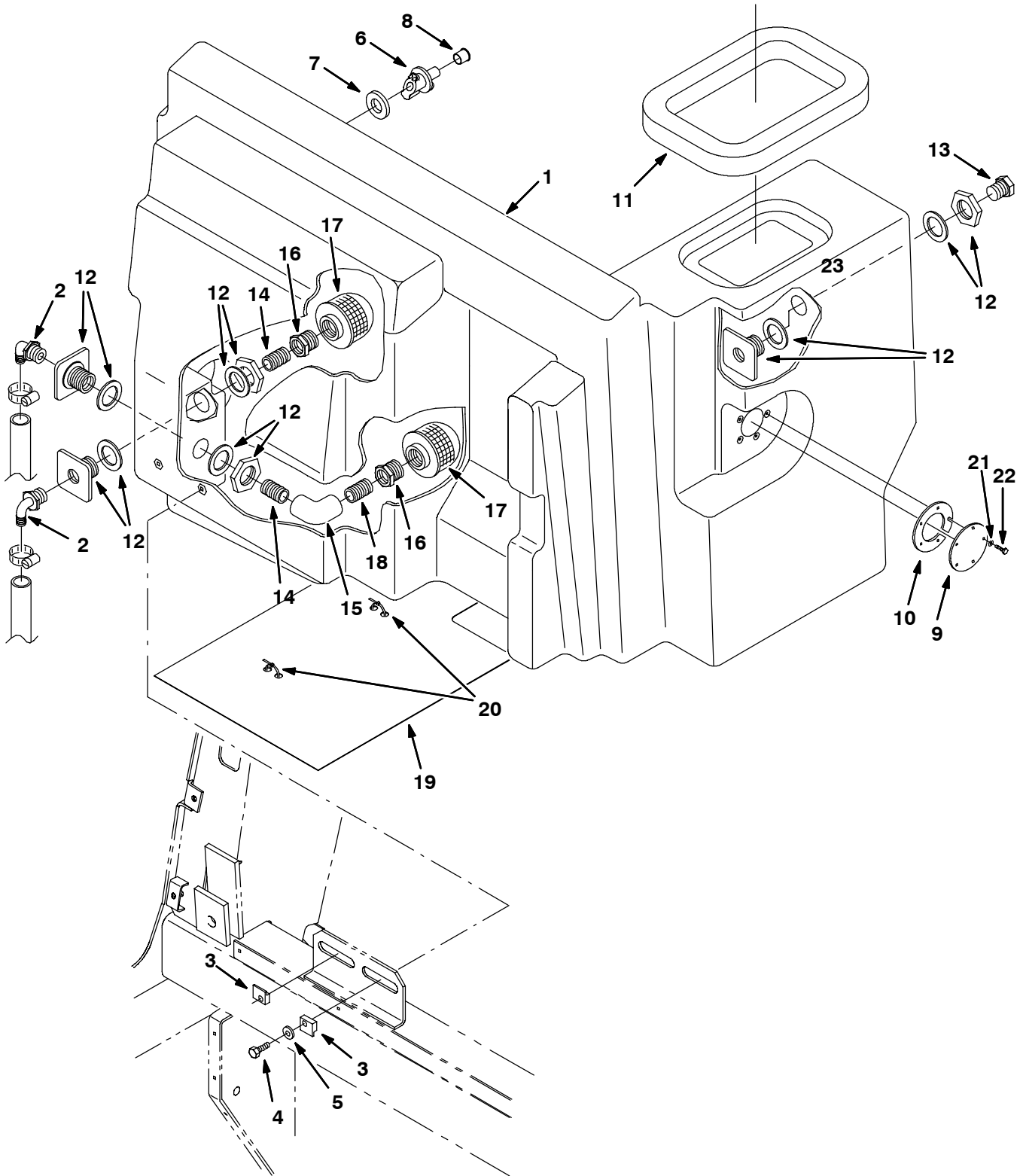


Fig. 64 - Scrub Solution Tank Group

Ref.	Part No.	Serial Number	Description	Qty.
1	73034	(000000-	) Tank, Solution, W/Label	1
2	73468	(000000-	) Fitting-Pls E90	2
3	73142	(000000-	) Clamp, Mtg, Tank	2
4	12273	(000000-	) Scr-Hexssm 8X1.25 20 Nylinloc	4
5	01685	(000000-	) Washer Flt .31 Ss	4
6	78840	(000000-	) Valve, Check	1
7	73342	(000000-	) Gasket, Check Valve	1
8	78740	(000000-	) Plug, Cap, Check Valve	1
9	86755	(000000-	) Cap, Plate	1
10	86591	(000000-	) Gasket	1
11	83872	(000000-	) Gasket, Tank	1
12	77343	(000000-	) Fitting-Plastic Str Blkhd 12Pf	3
13	75611	(000000-	) Ftg-Plug Npt 12Pm Rd Hd Plstc.	1
14	69784	(000000-	) Ftg,Plstc,Nip. 0.75Ptx 1.68Lg	3
15	23271	(000000-	) Ftg-Plstc E90 12Pf/12Pf	1
16	20811	(000000-	) Fitting, Plastic Str 12Pf/16Pm	2
17	20810	(000000-	) Strainer, Screen,Solution Tank	2
18	385665	(000000-	) Fitting-Plastic Str.	1
19	1021095	(012504-	) Shield, Water Valve	1
20	49266	(012504-	) Tie, Cable 1.75d Max 7.50lg	2
21	32980	(000000-	) Washer, Lock, Int, #10	5
22	06933	(000000-	) Screw, Pan, M5 X 0.8 X 16, 4.8	5

Fig. 65 - Scrub Recovery Tank Group

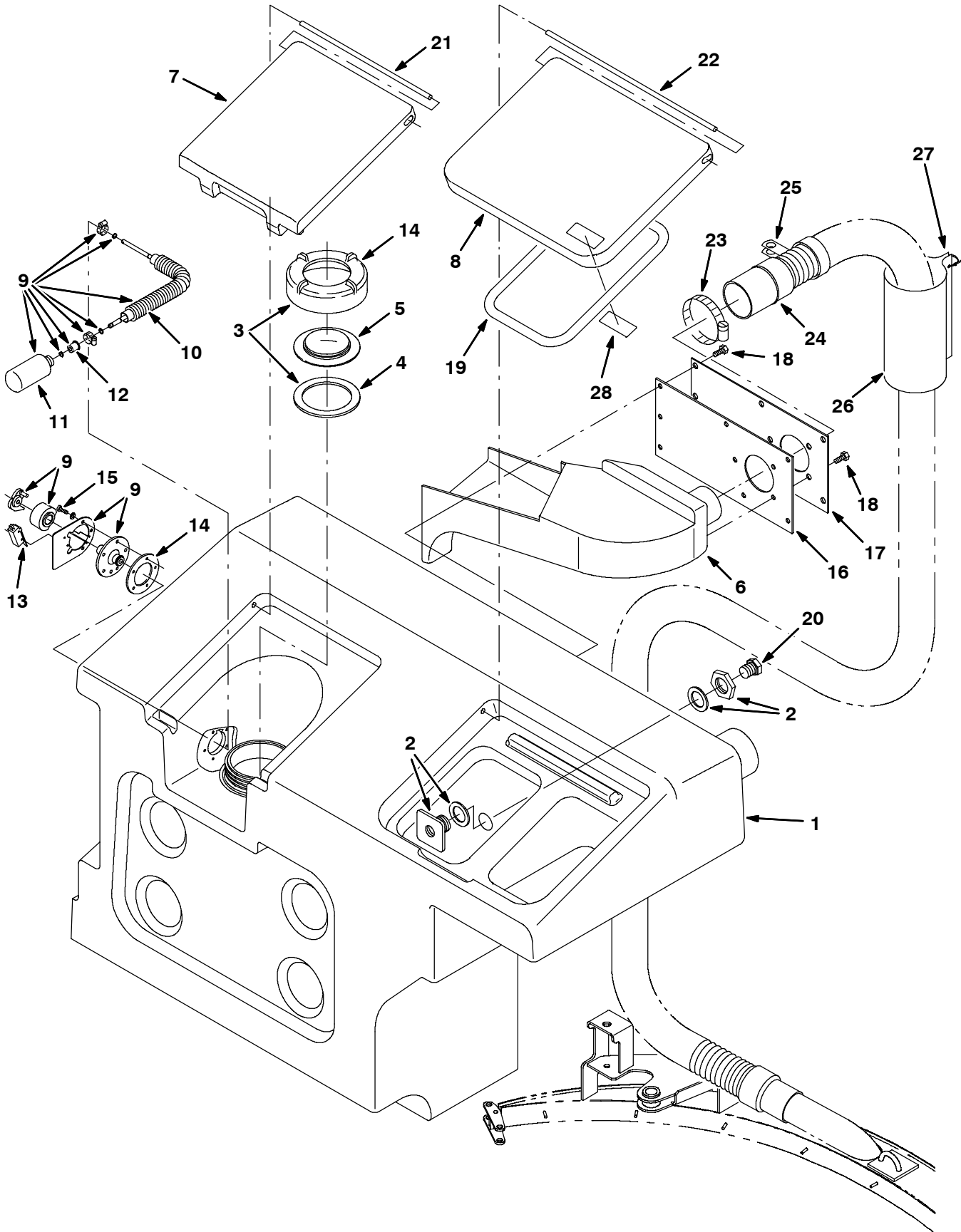


Fig. 65 - Scrub Recovery Tank Group

Ref.	Part No.	Serial Number	Description	Qty.
	1	23090	(000000- ) Tank Recovery	1
	2	77343	(000000- ) Fitting-Plastic Str Blkhd 12Pf	1
▽	3	24358	(000000- ) Cap Tank	1
▲	4	1031699	(000000- ) Gasket, 4.05id 5.29od .19 [Buna]	1
	5	86636	(000000- ) Cover Lid	1
	6	23089	(000000- ) Tank, De-Mister	1
	7	23088	(000000- ) Cover, Tank, Recovery Es	1
	8	23087	(000000- ) Cover, Tank, Recovery W/Label	1
▽	9	73147	(000000- ) Level Sensing Assy	1
▲	10	73145	(000000- ) Bellows, .75 Id 10.3L	1
▲	11	50238	(000000- ) Float Bottle	1
▲	12	50256	(000000- ) Plug, Float	1
	13	1008142	(000000- ) Switch, Snap Actn, 250vdc 25a Spdt	1
	14	86591	(000000- ) Gasket	1
	15	06933	(000000- ) Scr Pan M5X0.8 16	5
	16	83847	(000000- ) Gasket, De-Mister	1
	17	83724	(000000- ) Plate, Mtg, De-Mister	1
	18	12275	(000000- ) Scr-Hexssm 8X1.25 20 Nyloloc	10
	19	20922	(000000- ) Seal, Tube, Silicone	1
	20	75611	(000000- ) Ftg-Plug Npt 12Pm Rd Hd Plstc.	1
	21	83812	(000000- ) Bar, Rnd Plstc .375D 14.62L	1
	22	83811	(000000- ) Bar, Rnd Plstc .375D 14.62	1
	23	23498	(000000- ) Clamp-Wormdrive, 3.56-4.50D	1
	24	9003054	(000000- ) Hose Kit, Vacuum, Replmt [8410]	1
	25	34312	(000000- ) Clamp-Cable 3.00D 1.00W Stl (Diesel only)	1
	26	1015136	(014000- ) Flap, Protector	1
	27	49266	(014000- ) Tie, Cable, Nyl, 07.3l .19w 1.8 Max D	3
	28	391451	(014215- ) Label, Attention Fast Users 5400s	1

Fig. 66 - Scrub Solution and Recovery Tank Drain Group

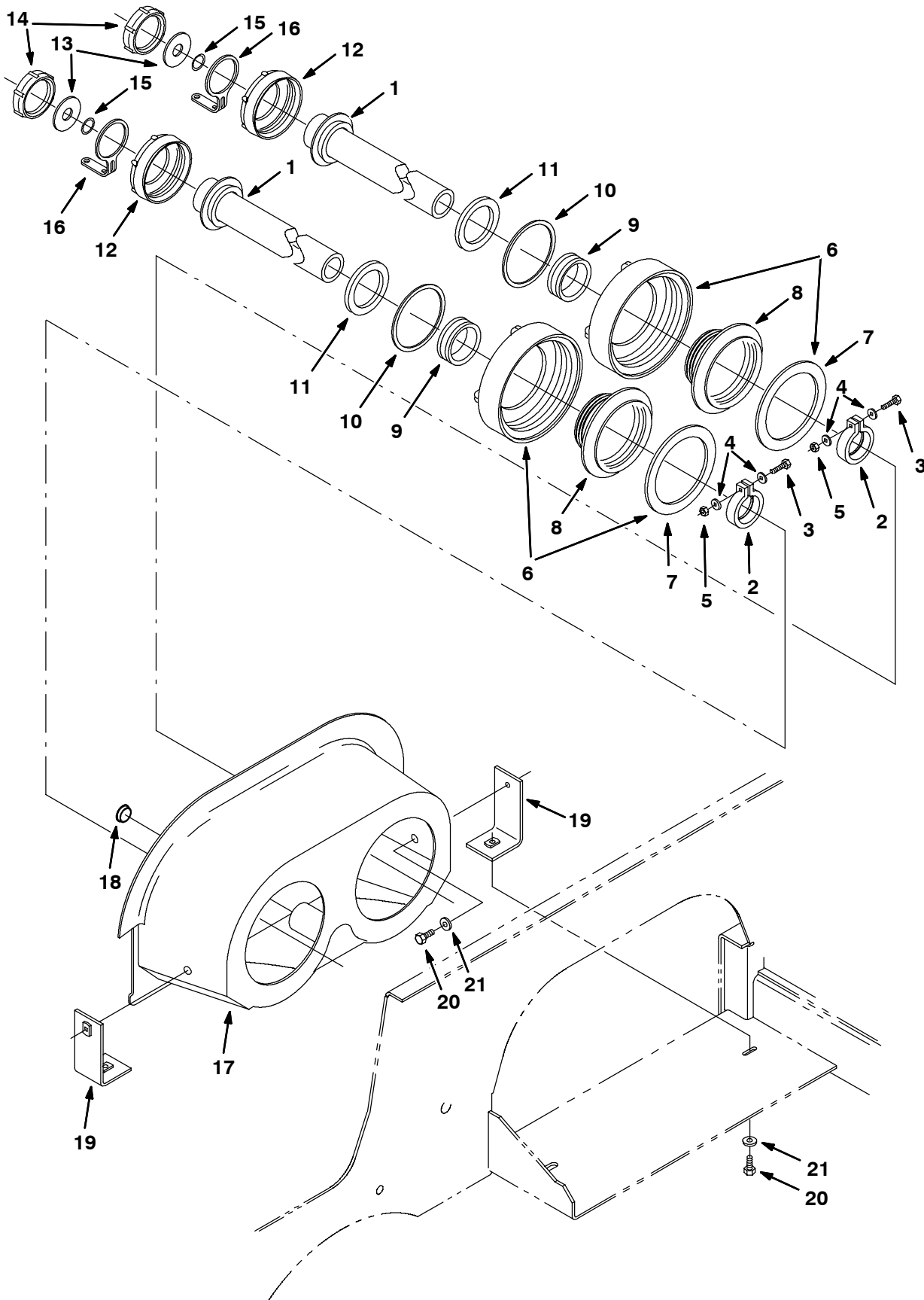




Fig. 66 - Scrub Solution and Recovery Tank Drain Group

Ref.	Part No.	Serial Number	Description	Qty.	
1	73149	(000000-	) Hose Assy, Drain	2	
2	41454	(000000-	) Clamp, Hose	2	
3	12316	(000000-	) Scr Hexssm 5X0.8 25	2	
4	01683	(000000-	) Washer Fit 10 Ss	4	
5	09739	(000000-	) Nut-Hxlocnyln M 5X0.8 Reg 18-8	2	
▽	6	24358	(000000-	) Cap Tank	2
▲	7	1031699	(000000-	) Gasket, 4.05id 5.29od .19 [Buna]	2
	8	14864	(000000-	) Cover, Insert	2
	9	41421	(000000-	) Seal, Hose	2
	10	79320	(000000-	) Gasket, Drain Cap	2
	11	41451	(000000-	) Gasket Lid	2
	12	14880	(000000-	) Cap, Drain Hose	2
	13	32614	(000000-	) Gasket Cap	2
	14	32613	(000000-	) Cap Drain	2
	15	32669	(000000-	) Ring Retain Ex, 0.75D	2
	16	32508	(000000-	) Strap Cap Retainer	2
	17	10679	(000000-	) Cover, Cleanout	1
	18	55035	(000000-	) Plug, Hole, Rnd, 1.00h .00-.17, Blk Nyl	1
	19	77234	(000000-	) Bracket	2
	20	15678	(000000-	) Screw Hexssm 6X1.0	4
	21	01684	(000000-	) Washer Fit .25 Ss	4

# STANDARD PARTS

Fig. 67 - FaST Solution Pump Group (014215- )

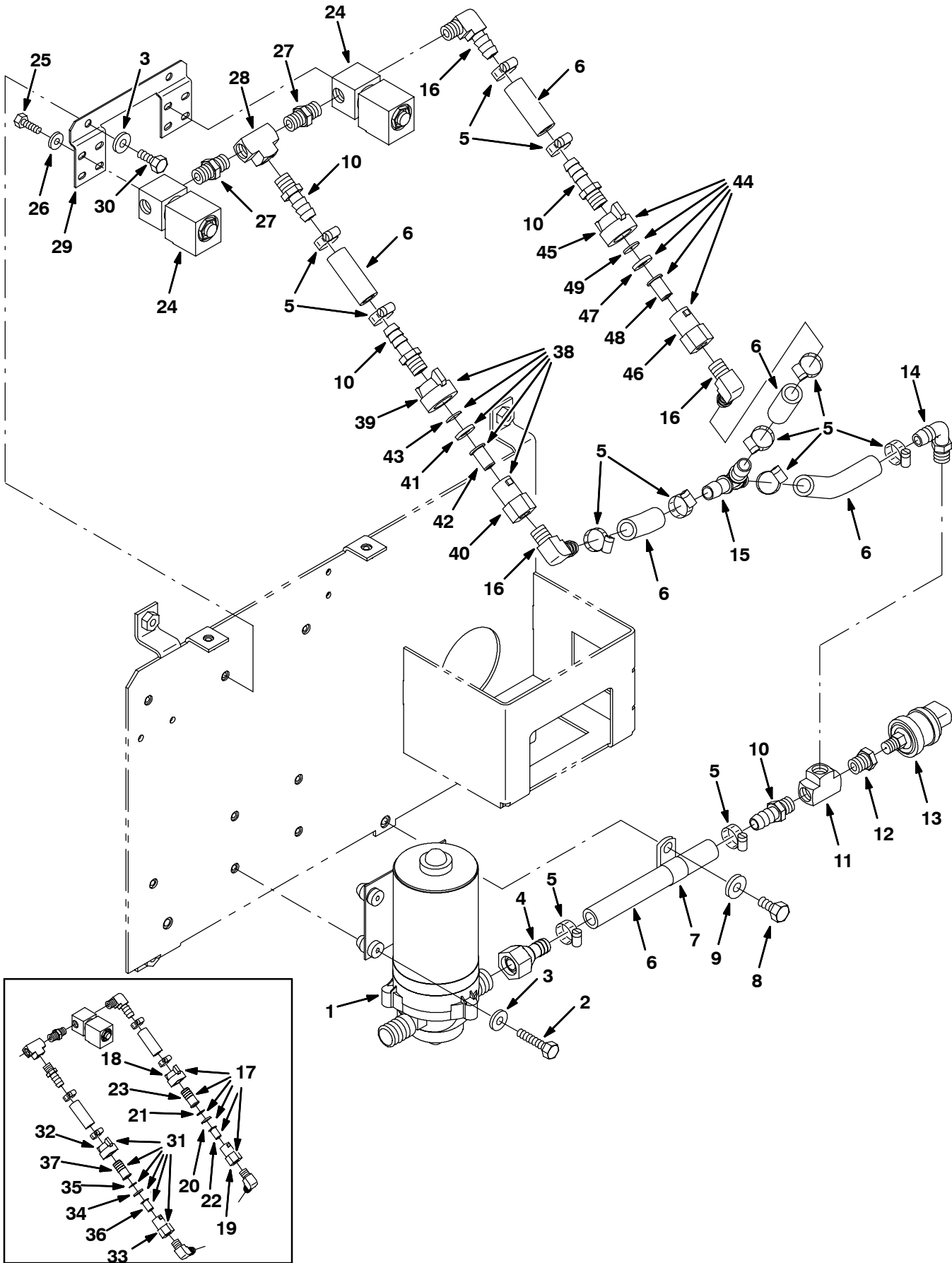


Fig. 67 - FaST Solution Pump Group (014215- )

Ref.	Part No.	Serial Number	Description	Qty.	
1	1030878	(014215-	) Pump, Soltn, Ele, 12vdc [W/O Chk Valve]	1	
2	07805	(014215-	) Screw, Hex, M6 X 1.0 X 35, Ss	4	
3	01684	(014215-	) Washer, Flat, 0.25 Ss	6	
4	1018495	(014215-	) Fitting, Plstc, Str, Swivel, Pf08s/Bm08	1	
5	54333	(014215-	) Clamp, Hose, Wormdrive, 0.31-0.88d, .31w	12	
6	1024020	(014215-	) Hose, Afrmkt, Pvc, Wir, 0.50 Id 1ft	6	
7	07471	(014215-	) Clamp, Cable, Stl, 0.75d X 0.75w, 1h	1	
8	15675	(014215-	) Screw, Hex, M8 X 1.25 X 16, Ss	1	
9	01685	(014215-	) Washer, Flat, 0.31 Ss	1	
10	1010775	(014215-	) Fitting, Plstc, Str, Bm08/Pm04 Nyl	4	
11	398474	(014215-	) Fitting, Brs, Tee, Pf04/Pf04/Pf04	1	
12	150100	(014215-	) Fitting, Brs, Str, Pf02/Pm04	1	
13	1028582	(014215-	) Switch, Press, 10psi, Spst	1	
14	1010713	(014215-	) Fitting, Plstc, E90, Bm08/Pm04 Nyl	1	
15	1010668	(014215-	) Fitting, Plstc, Y, Bm08/Bm08/Bm08 Nyl	1	
16	1010836	(014215-	) Fitting, Brs, E90, Pm04/Bm08	3	
▽	17	1018467	(014215-014329 ) Fitting Assy, Cap, 0.093b, Pf04/Bm08 (Repl. by 9002439)	1	
▲	18	1014532	(014215-014329 ) Fitting, Plstc, Cap, Spray, Pf04	1	
▲	19	1005507	(014215-014329 ) Fitting, Plstc, Body, Spray, Pf04	1	
▲	20	1005508	(014215-014329 ) Washer, Flat, 0.34b 0.75d .12, Viton	1	
▲	21	1018884	(014215-014329 ) Plate, Orifice, 0.093id	1	
▲	22	1006447	(014215-014329 ) Screen, 50 Mesh, Ss	1	
▲	23	1014473	(014215-014329 ) Fitting, Brs, Flng, Bm08	1	
	24	1018098	(014215-	) Valve, Water, 12vdc, 6.0mm, 04pf	2
	25	09252	(014215-	) Screw, Hex, M5 X 0.8 X 20, 8.8	4
	26	19066	(014215-	) Washer, Flat, #10	4
	27	398468	(014215-	) Fitting, Brs, Str, Pm04/Pm04	2
	28	398474	(014215-	) Fitting, Brs, Tee, Pf04/Pf04/Pf04	1
	29	1021231	(014215-	) Bracket, Mtg, Sol Valve [8400]	1
	30	11329	(014215-	) Screw, Hex, M6 X 1.0 X 16, Ss, NI	2
▽	31	1018533	(014215-014329 ) Fitting Assy, Cap, 0.070b, Pf04/Bm08 (Repl. by 9002438)	1	
▲	32	1014532	(014215-014329 ) Fitting, Plstc, Cap, Spray, Pf04	1	
▲	33	1005507	(014215-014329 ) Fitting, Plstc, Body, Spray, Pf04	1	
▲	34	1005508	(014215-014329 ) Washer, Flat, 0.34b 0.75d .12, Viton	1	
▲	35	1018883	(014215-014329 ) Plate, Orifice, 0.070id	1	
▲	36	1006447	(014215-014329 ) Screen, 50 Mesh, Ss	1	
▲	37	1014473	(014215-014329 ) Fitting, Brs, Flng, Bm08	1	
▽	38	1030864	(014330-	) Fitting Assy, Orifice, 0.070b, Pf04/Pf04	1
▲	39	1005506	(014330-	) Fitting, Plstc, Cap, Spray, Pf04	1
▲	40	1005507	(014330-	) Fitting, Plstc, Body, Spray, Pf04	1
▲	41	1005508	(014330-	) Washer, Flat, 0.34b 0.75d .12 [Viton]	1
▲	42	1006447	(014330-	) Vr, Filter, Screen, 50 Mesh .59d .8l Ss	1
▲	43	1018883	(014330-	) Plate, Orifice, 0.070id	1
▽	44	1030863	(014330-	) Fitting Assy, Orifice, 0.093b, Pf04/Pf04	1
▲	45	1005506	(014330-	) Fitting, Plstc, Cap, Spray, Pf04	1
▲	46	1005507	(014330-	) Fitting, Plstc, Body, Spray, Pf04	1
▲	47	1005508	(014330-	) Washer, Flat, 0.34b 0.75d .12 [Viton]	1
▲	48	1006447	(014330-	) Vr, Filter, Screen, 50 Mesh .59d .8l Ss	1
▲	49	1018884	(014330-	) Plate, Orifice, 0.093id	1

**Fig. 68 - FaST Air Pump and Detergent Group (014215- )**

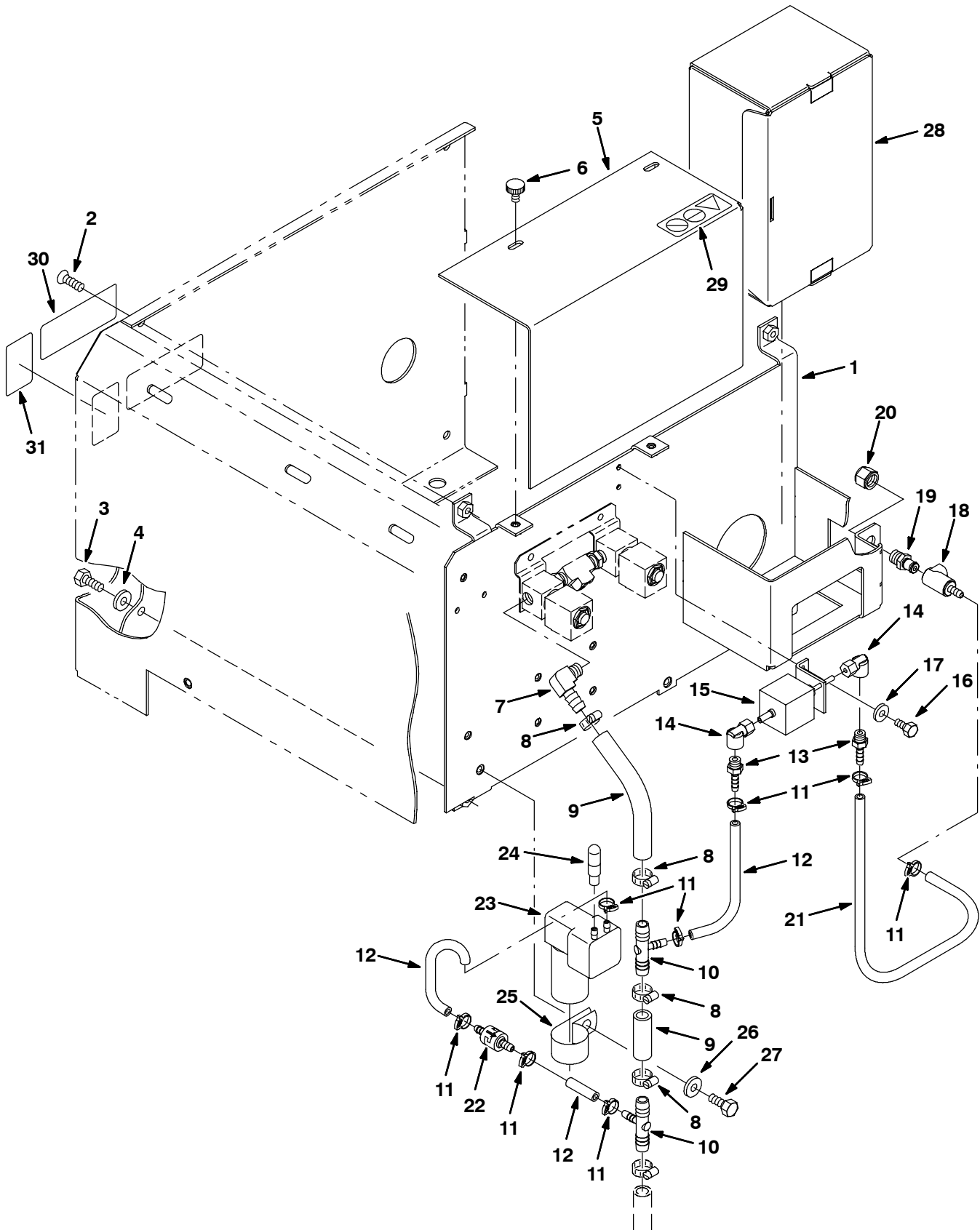


Fig. 68 - FaST Air Pump and Detergent Group (014215- )

Ref.	Part No.	Serial Number	Description	Qty.
1	1019886	(014215-	) Bracket Wldt, Pump [8400 Fast]	1
2	32129	(014215-	) Screw, Flt, M8 X 1.25 X 20, 10.9	2
3	12273	(014215-	) Screw, Hex, M8 X 1.25 X 20, Ss, NI	2
4	01685	(014215-	) Washer, Flat, 0.31 Ss	2
5	1020250	(014215-	) Cover, Instr, Panel [8400]	1
6	603012	(014215-	) Knob, Rnd, 19d, Plstic, M6x12 Stud -Zn	2
7	1010836	(014215-	) Fitting, Brs, E90, Pm04/Bm08	1
8	54333	(014215-	) Clamp, Hose, Wormdrive, 0.31-0.88d, .31w	4
9	1024020	(014215-	) Hose, Afmkt, Pvc, Wir, 0.50 Id 1ft	1
10	1010684	(014215-	) Fitting, Plstc, Tee, Bm08/Bm04/Bm08	2
11	1014575	(014215-	) Clamp, Hose, Plstc .351-.394 Id	8
12	1014987	(014215-	) Hose, Afmkt, Pvc, Clr 0.25id 1ft	3
13	150525	(014215-	) Fitting, Brs, Str, Pm02/Bm04	2
14	1014082	(014215-	) Fitting, Brs, E90, Cf03/Pf02	2
15	1018097	(014215-	) Pump, Detgt, 12vdc [560s]	1
16	11635	(014215-	) Screw, Hex, M6 X 1.0 X 12, Ss, NI	2
17	41579	(014215-	) Washer, Flat, #8, Ss	2
18	1002898	(014215-	) Fitting, Plstc, Str, Bm04, Cplg, Fem	1
19	1002899	(014215-	) Fitting, Plstc, Str, Pm04, Cplg, Mal	1
20	1005435	(014215-	) Fitting, Plstc, Pipe, Cap, Pf04	1
21	1014986	(014215-	) Hose, Afmkt, Pvc, Clr 0.25id 2ft	1
22	1013902	(014215-	) Valve, Check, 2gpm 2psi Bm04/Bm04	1
23	1018780	(014215-	) Pump, Air, Ele, 12vdc	1
24	1005255	(014215-	) Filter Assy, Air, Molded Ure	1
25	53466	(014215-	) Clamp, Cable, Stl, 1.50d X 1.00w, 1h	1
26	32491	(014215-	) Washer, Flat, 0.31 Std	1
27	09010	(014215-	) Screw, Hex, M8 X 1.25 X 25, Ss	1
28	1021878	(014215-	) Detergent Pkg, 4 Liter, Sgl [Tco 665]	1
29	391451	(014215-	) Label, Attention Fast Users 5400s	1
30	1005416	(014215-	) Label [Fast]	1
31	1015012	(014215-	) Label [Nfsi Certification]	1

**Fig. 69 - FaST Foam Filter Group (014215- )**

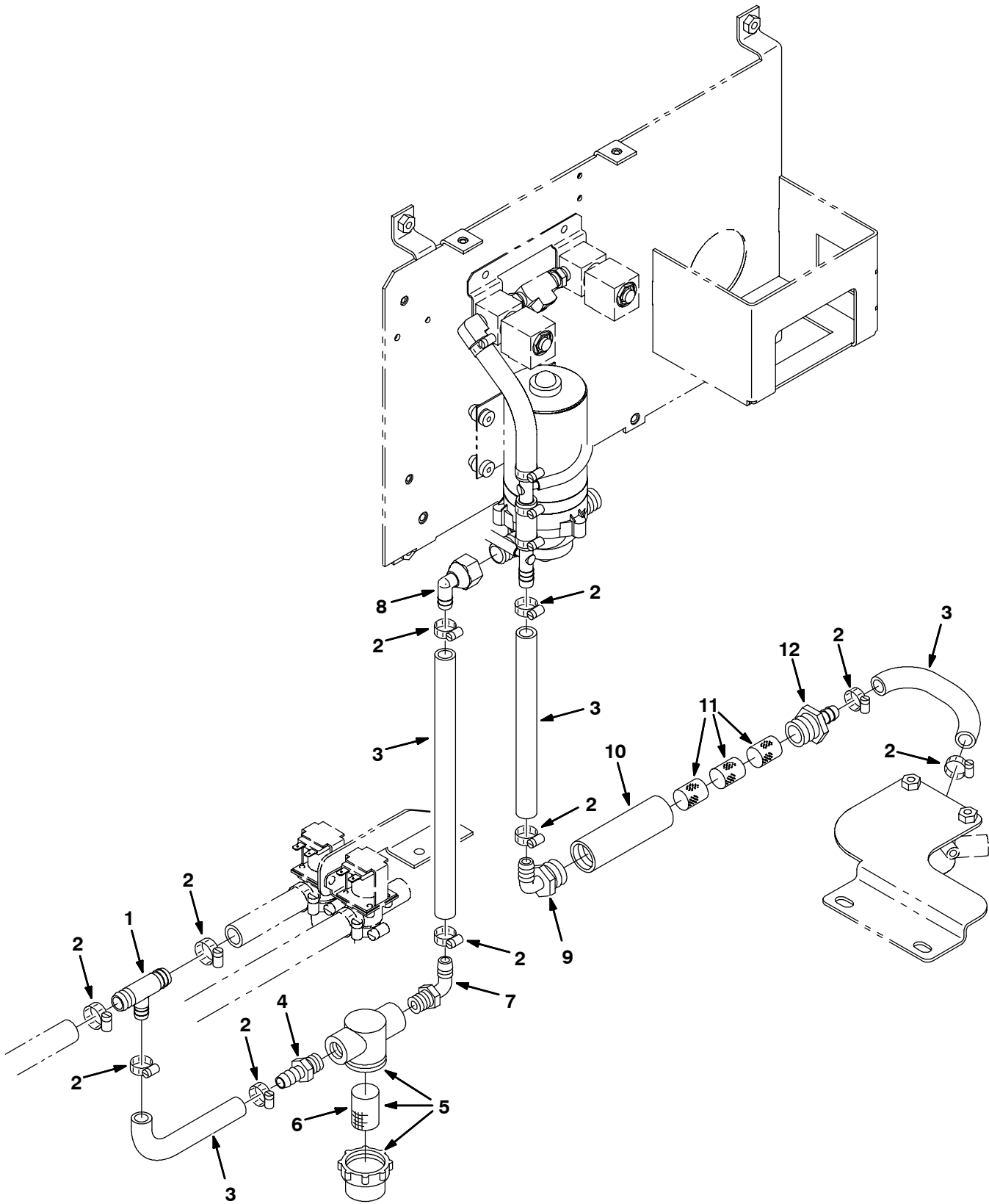


Fig. 69 - FaST Foam Filter Group (014215- )

Ref.	Part No.	Serial Number	Description	Qty.	
1	1015486	(014215-	) Fitting, Plstc, Tee, Bm10/Bm08/Bm10	1	
2	54333	(014215-	) Clamp, Hose, Wormdrive, 0.31-0.88d, .31w	10	
3	1024020	(014215-	) Hose, Afmkt, Pvc, Wir, 0.50 Id 1ft	4	
4	64743	(014215-	) Fitting, Plstc, Str, Bm08/Pm06	1	
▽	5	1005302	(014215-	) Filter, Inline, Pf06/Pf06, 80 Mesh	1
▲	6	1005304	(014215-	) Screen, Fltr, 80 Mesh	1
7	64778	(014215-	) Fitting, Plstc, E90, Bm08/Pm06	1	
8	1018499	(014215-	) Fitting, Plstc, E90, Swivel, Bm08/Pf08s	1	
9	1005552	(014215-	) Fitting, Plstc, E90, Bm08/Pm12, Nyl	1	
10	1005086	(014215-	) Tube, Pvc, Shc80, Clr, 4.0l	1	
11	1002789	(014215-	) Filter, Foam	3	
12	79273-1	(014215-	) Fitting, Plstc, Str, Bm08/Pm12	1	

Fig. 70 - FaST Electrical Group (014215- )

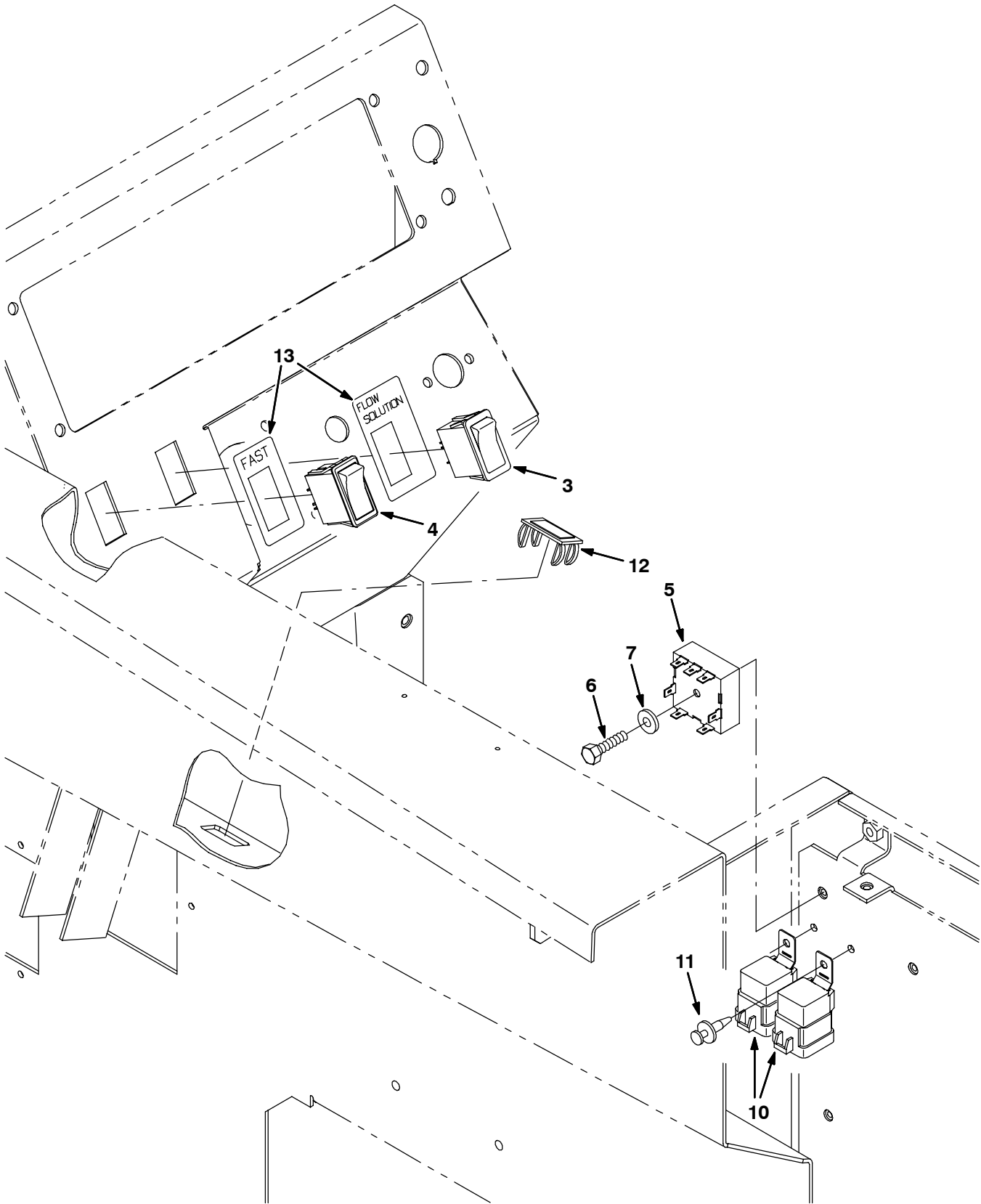




Fig. 70 - FaST Electrical Group (014215- )

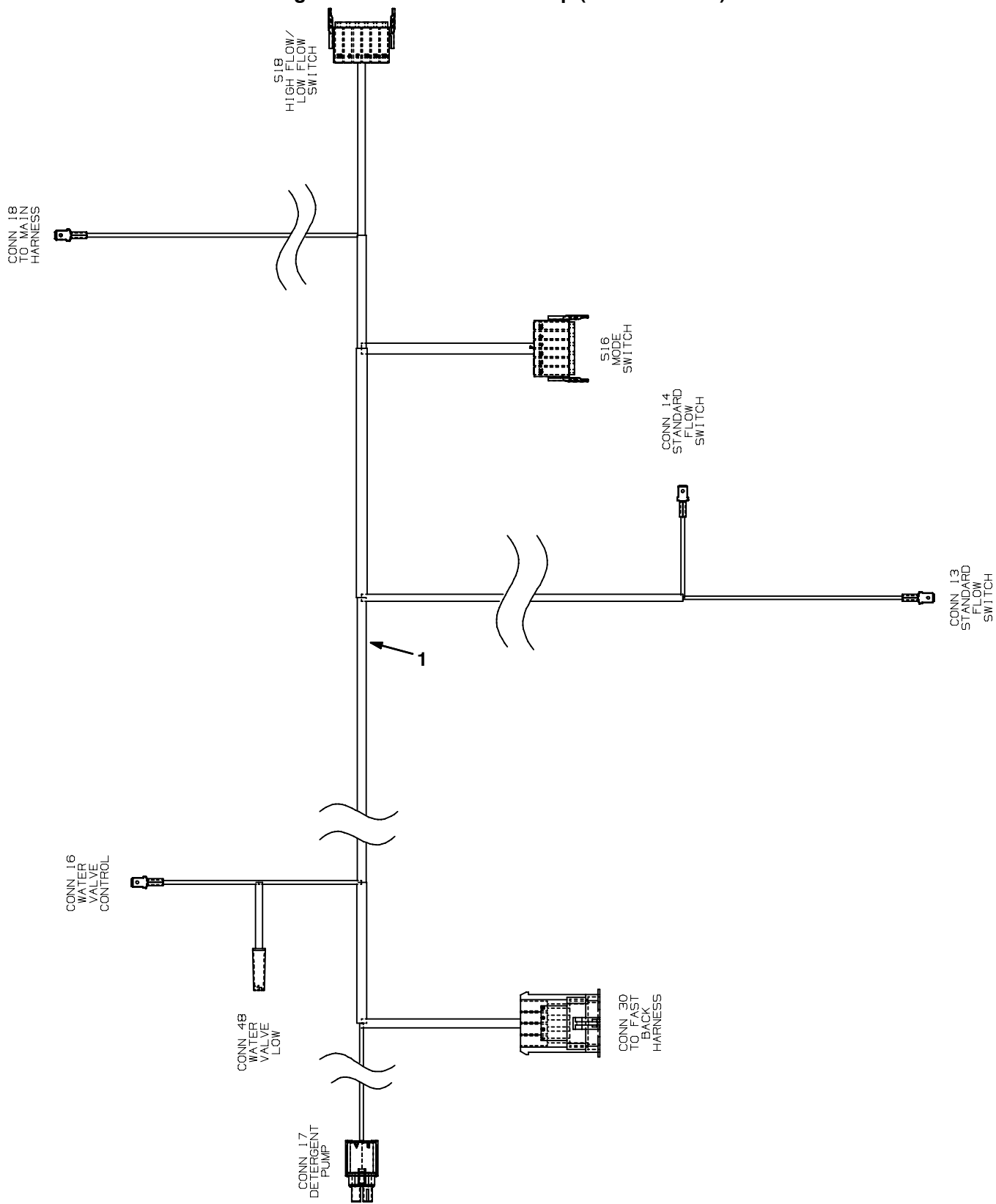


Fig. 70 - FaST Electrical Group (014215- )

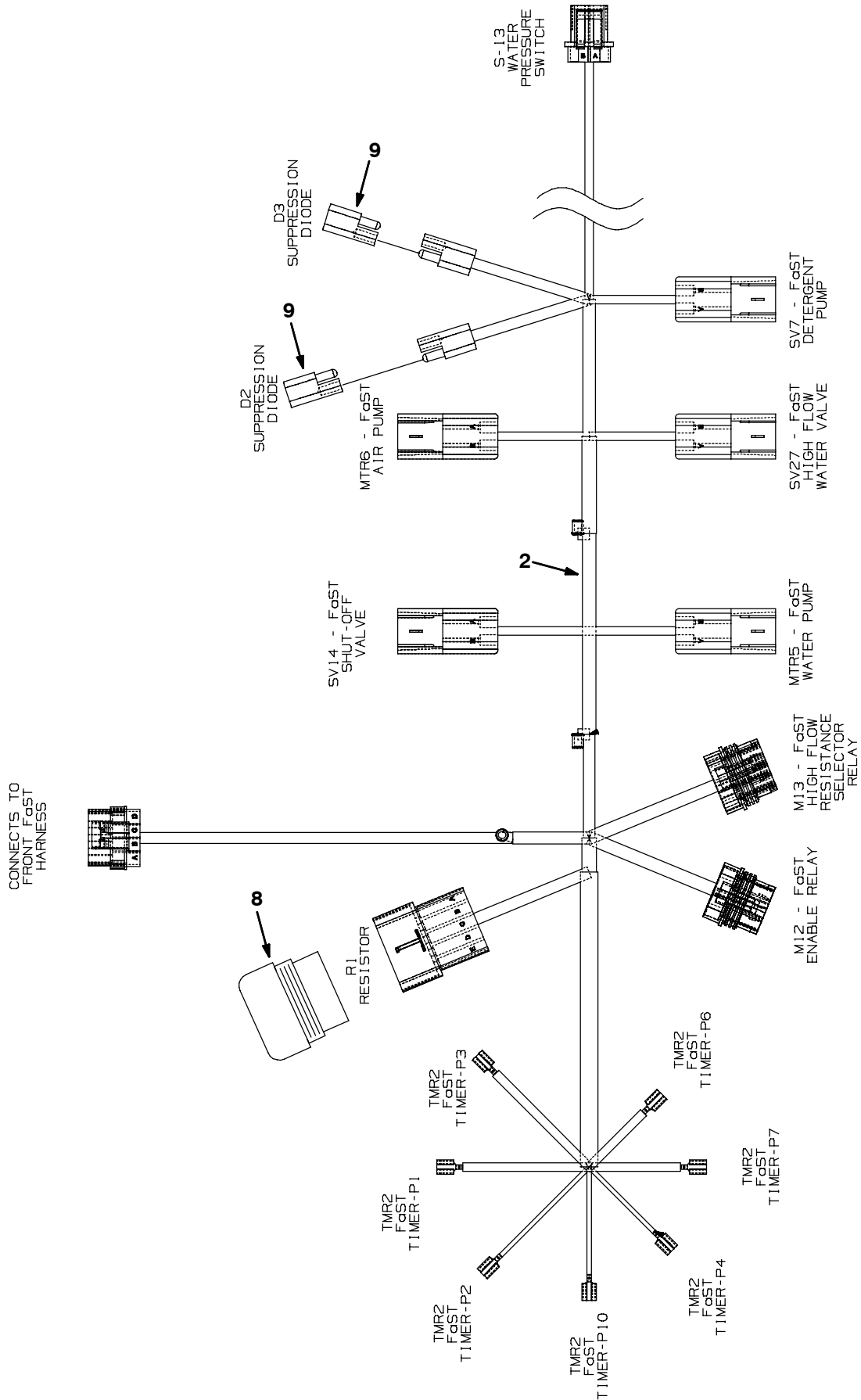
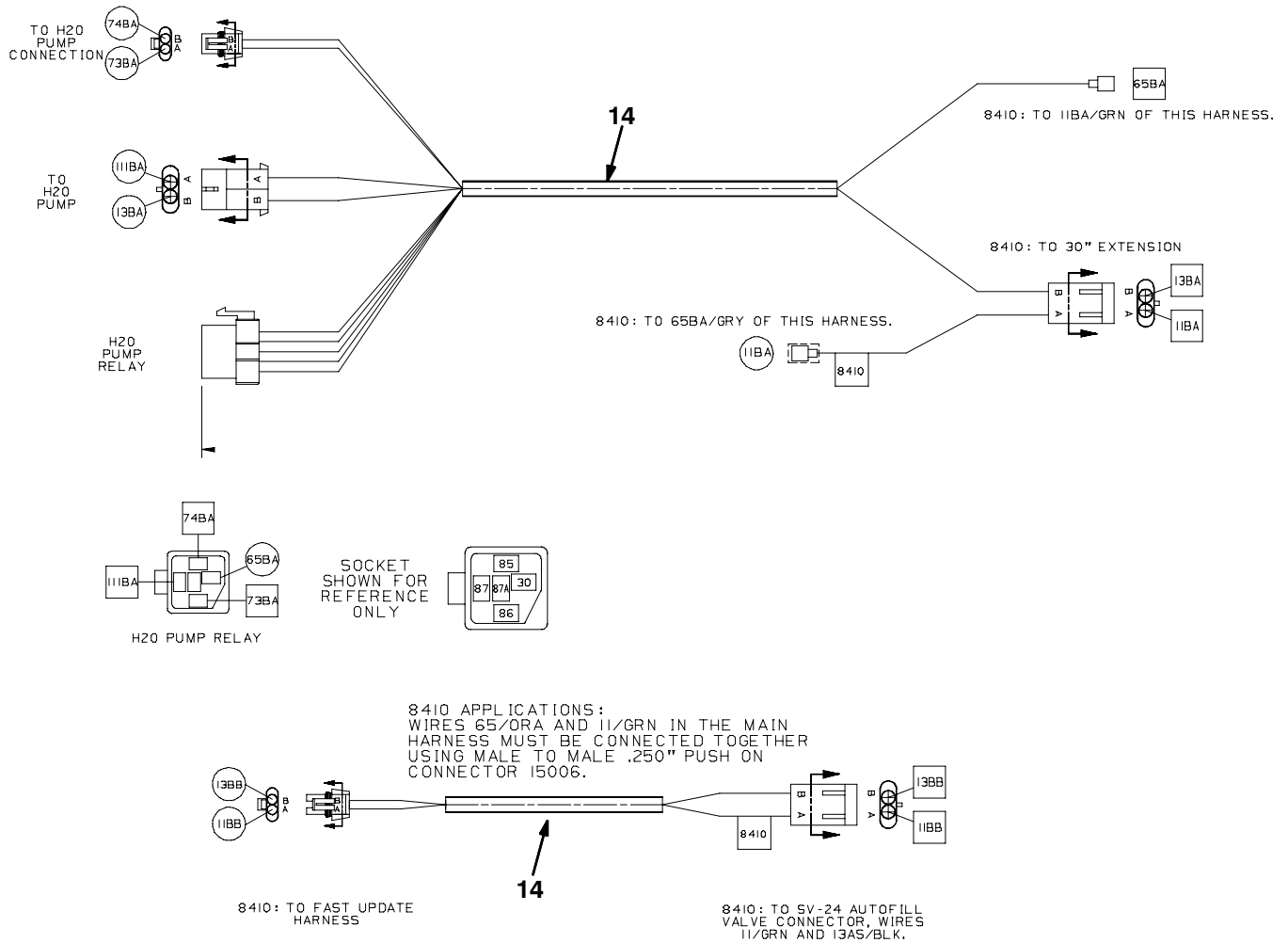


Fig. 70 - FaST Electrical Group (014215- )



354348 - NA,CE

Ref.	Part No.	Serial Number	Description	Qty.
1	1022662	(014215- )	Harness, Front, Fast, [8410]	1
2	1022636	(014215- )	Harness, Back, Fast, [8410]	1
3	377084	(014215- )	Switch, Rocker, 36vdc 05a Progressive	1
4	397889	(014215- )	Switch, Rocker, 36vdc 05a Dpst On/N/On	1
5	1028580	(014215- )	Timer, 9-41vdc, Recycling	1
6	06945	(014215- )	Screw, Hex, M6 X 1.0 X 30, 8.8	1
7	01684	(014215- )	Washer, Flat, 0.25 Ss	1
8	1015096	(014215- )	Resistor Assy W / 5 Pin Plug	1
9	222290	(014215- )	Diode, Ele, Plug	2
10	56186	(014215- )	Relay, 12vdc, 40a, Spdt N/O [Potter]	2
11	72970	(014215- )	Rivet, Plstc, .250d X 0.898	2
12	57772	(014215- )	Button, Plug, Switch, 1.45 X 0.83 Hole	1
13	1020195	(014215- )	Label Set, Opertnl	1
14	1031405	(014215- )	Harness [7400/8410 Fast Update]	1

Fig. 71 - Vacuum Fan Group, Scrubber

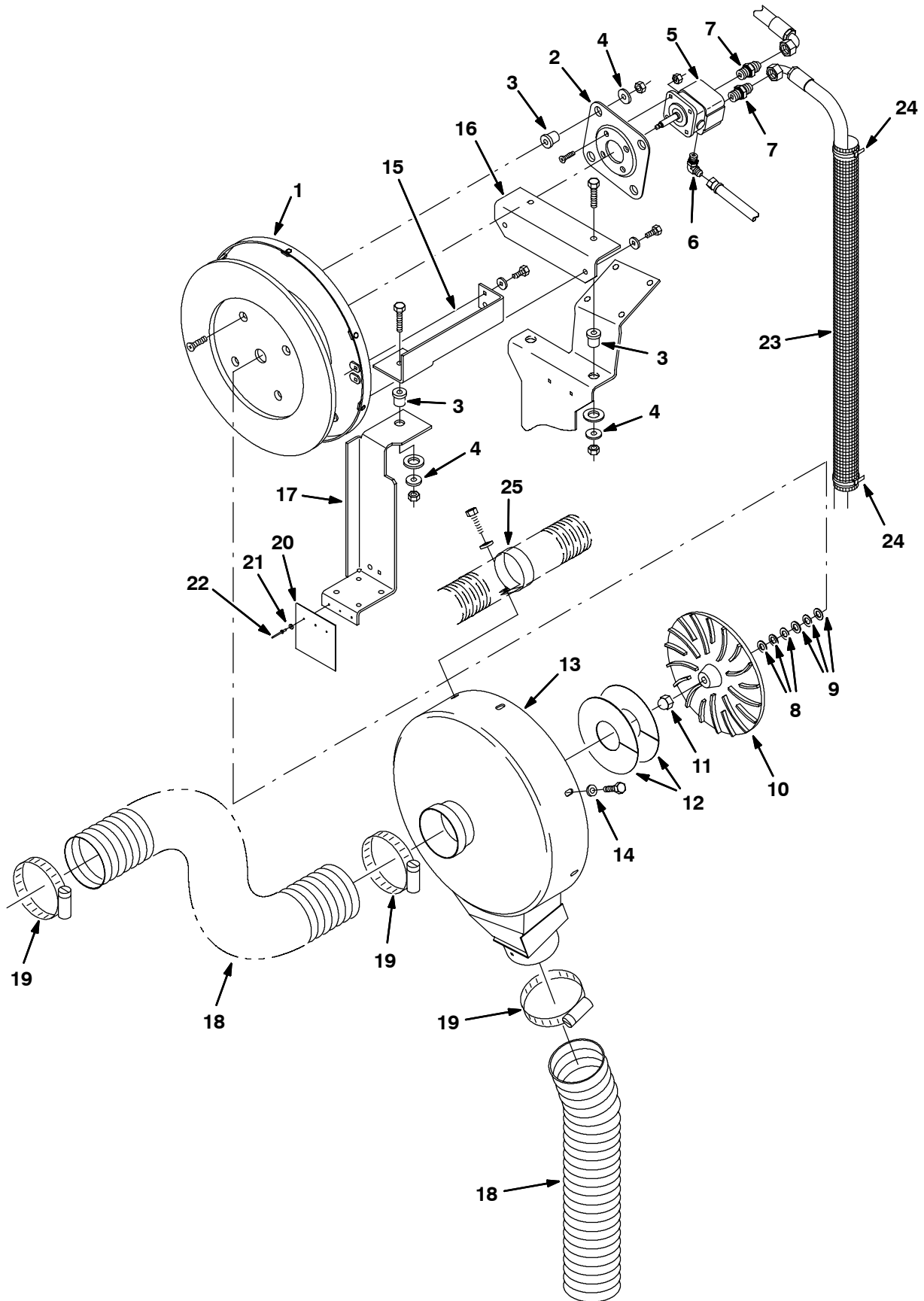


Fig. 71 - Vacuum Fan Group, Scrubber

Ref.	Part No.	Serial Number	Description	Qty.
1	73270	(000000-	) Housing Wldt, Rear	1
2	54275A	(000000-	) Bracket, Mounting Motor	1
3	54274	(000000-	) Isolator-Vibration,125Lb.Ratng	7
4	13248	(000000-	) Washer .400B 1.12D .12Cr Znc	7
5	73112	(000000-	) Motor, Hyd Gear Ex 0.13L 3000 (See Breakdown)	1
6	77097	(000000-	) Ftg-Hyd E90 Jm04 Om04	1
7	56692	(000000-	) Ftg-Hyd Str Jm08/Om10	2
8	75456-3	(000000-	) Shim .020Th 0.88Odx0.506ld	3
9	75456-4	(000000-	) Shim .060Th 0.880Dxo.506ld	3
10	03922	(000000-	) Impeller 9.5 Dia. 18 Blade Mac	1
11	41130	(000000-	) Nut-Low Crown .50-20 Pltd	1
12	58114	(000000-	) Fan, Repair Kit, Reassembly	1
13	77222	(000000-	) Housing, Vac Fan W/Label	1
14	41186	(000000-	) Washer-Belleville .31 Pltd	6
15	73268	(000000-	) Bracket, Fan	1
16	72635	(000000-	) Bracket, Fan	1
17	73269	(000000-	) Bracket, Mounting, Fan	1
18	77320	(000000-	) Hose, Vacuum	1
19	79380	(000000-	) Clamp Wormdrive, 3.75-4.62	3
20	73264	(000000-	) Shield, Exhaust	1
21	02892	(000000-	) Washer, .125B .38D .035 Pltd	3
22	34738	(000000-	) Rivet Pop-.125Dx.32X.25Dhd St	3
23	87676	(000000-	) Sleeve-Nylon	1
24	49266	(000000-	) Tie, Cable 1.75D Max 7.50Lg	2
25	34312	(000000-	) Clamp, Cable 3.00D 1.00W STL	1

Fig. 72 - Steering Group

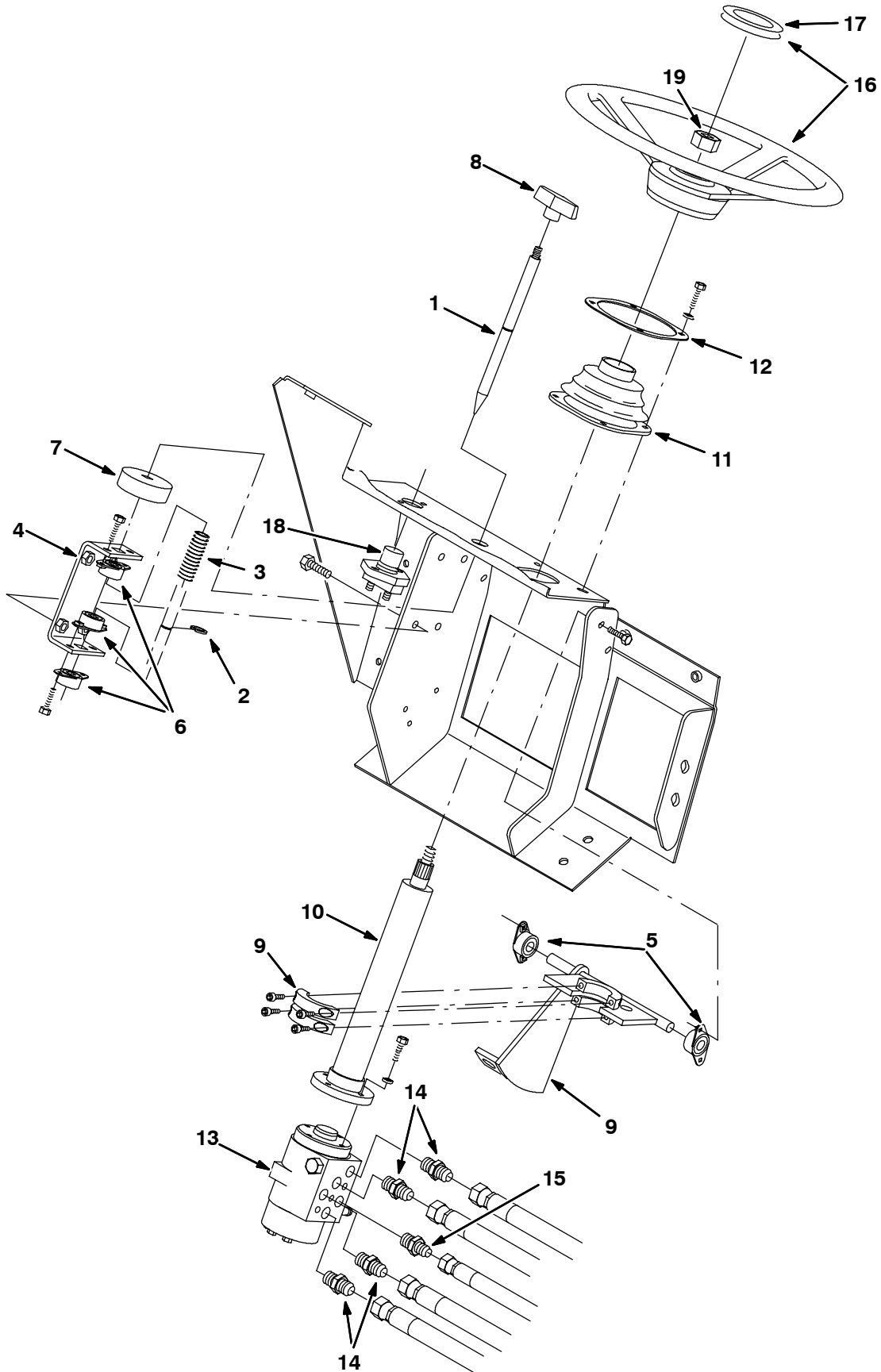


Fig. 72 - Steering Group

Ref.	Part No.	Serial Number	Description	Qty.
1	64651	(000000-	) Rod, Latch, Steering, Tilt	1
2	70717	(000000-	) Ring, Retain, Ex0.50Od,Heavydt	1
3	22290	(000000-	) Sprng,Comp,0.62ldx.06Wire 2.3L	1
4	64655	(000000-	) Channel, Mounting, Steering La	1
5	70709	(000000-	) Bearing, Flange .500B	2
6	47585	(000000-	) Bearing-Flange,2 Hole 0.50Bore	3
7	75968	(000000-	) Seal, Bearing	1
8	04706	(000000-	) Handle Lift Brush	1
9	73027	(000000-	) Bracket Wldt, Steering, Tilt	1
10	73061	(000000-	) Column, Steering #2 10Lg Wire	1
11	70622	(000000-	) Seal, Boot, Steering Column	1
12	70623	(000000-	) Plate, Mtg, Steering Boot	1
13	73093	(000000-	) Steer Control, Hyd#2 06.1 1000 (See Breakdowns)	1
14	56690	(000000-	) Ftg-Hyd Str Jm06/Om06	4
15	55685	(000000-	) Ftg-Hyd Str Jm04/Om06	1
▽	16	1036255	(000000-) Wheel, Steering, 14.Od, Taper Bore	1
▲	17	1038966	(000000-) Cap, Wheel, Steering	1
▲		70219	(000000-) Steering Wheel Insert	1
	18	44078	(000000-) Switch, Pushmom, Spst100A 12V	1
	19	56185	(000000-) Nut	1

Fig. 73 - Electrical Instrument Panel Assembly Main Group

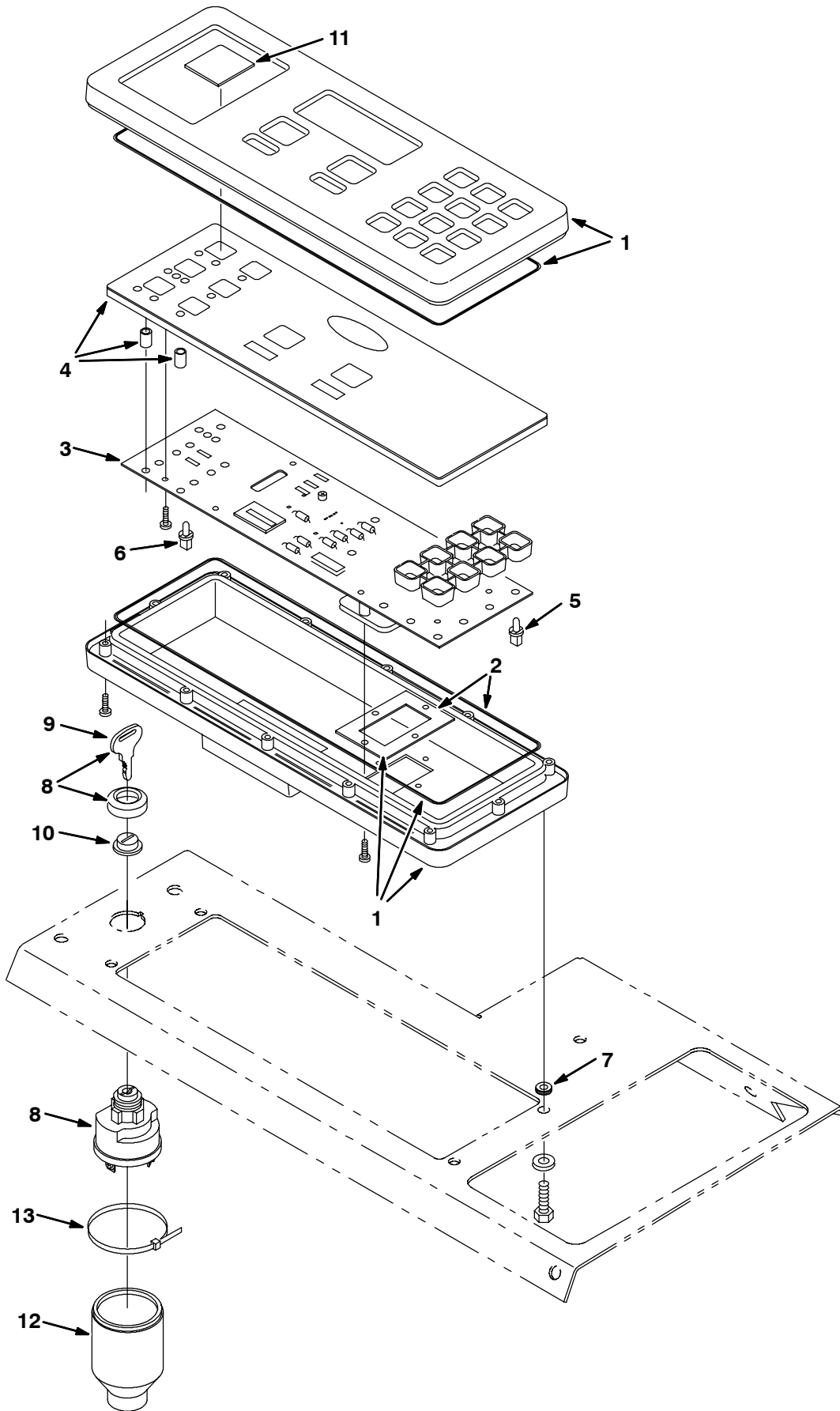




Fig. 73 - Electrical Instrument Panel Assembly Main Group

	Ref.	Part No.	Serial Number	Description	Qty.
▽		84052	(000000-	) Replm Kit, Instr Panel F/83719	1
▲	1	59976	(000000-	) Case, Replmt Kit	1
▲	2	59977	(000000-	) Seal, Replmt Kit	1
▲	3	84061	(000000-	) Circuit Board Rpmt Kit F/71591	1
▲	4	84141	(000000-	) Touch Panel Replmt Kit F/84069	1
▲	5	59971	(000000-	) Lamp, Replmt Kit (8) F/59972	2
▲	6	56346	(000000-	) Lamp, Replmt Kit (8) F/56330	2
	7	10632-5	(000000-	) Grommet Rbr 0.25ld For .09Matl	4
▽	8	87536AM	(000000-	) Switch Ignition	1
▲	9	87866	(000000-	) Key Set, Switch	1
	10	382516	(000000-	) Boot, Switch	1
	11	70646	(000000-	) Label, Overlay, Touch Panel	1
	12	383165	(000000-	) Boot, Switch, Ignition	1
	13	49263	(000000-	) Tie, Cable, Nyl, 11.4l .19w 3.0 Max D	1

Fig. 74 - Electrical Instrument Panel Auxiliary Group

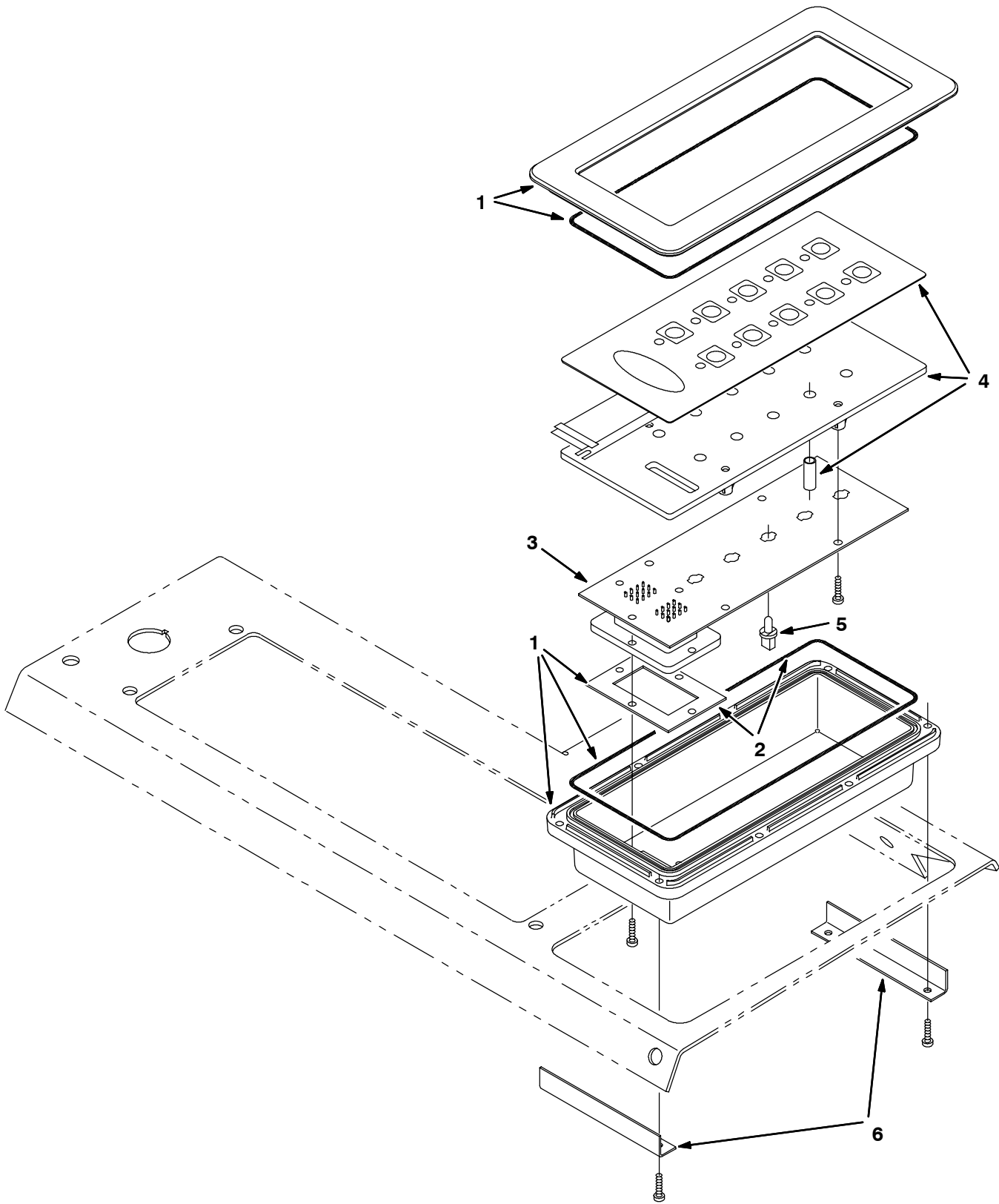


Fig. 74 - Electrical Instrument Panel Auxiliary Group

	Ref.	Part No.	Serial Number	Description	Qty.
▽		84053	(000000-	) Replm Kit, Instr Panel F/83720	1
▲	1	73235	(000000-	) Panel, Instrument, Replmt Kit	1
▲	2	73234	(000000-	) Seal Replmt Kit	1
▲	3	84062	(000000-	) Circuit Board Rplt Kit F/83716	1
▲	4	73230	(000000-	) Panel, Touch, Replmt Kitf/73214	1
▲	5	73205	(000000-	) Lamp Replmt Kit (5) F/59972	2
	6	73239	(000000-	) Bracket, L	2

Fig. 75 - Electrical Circuit Breaker and Relay Group

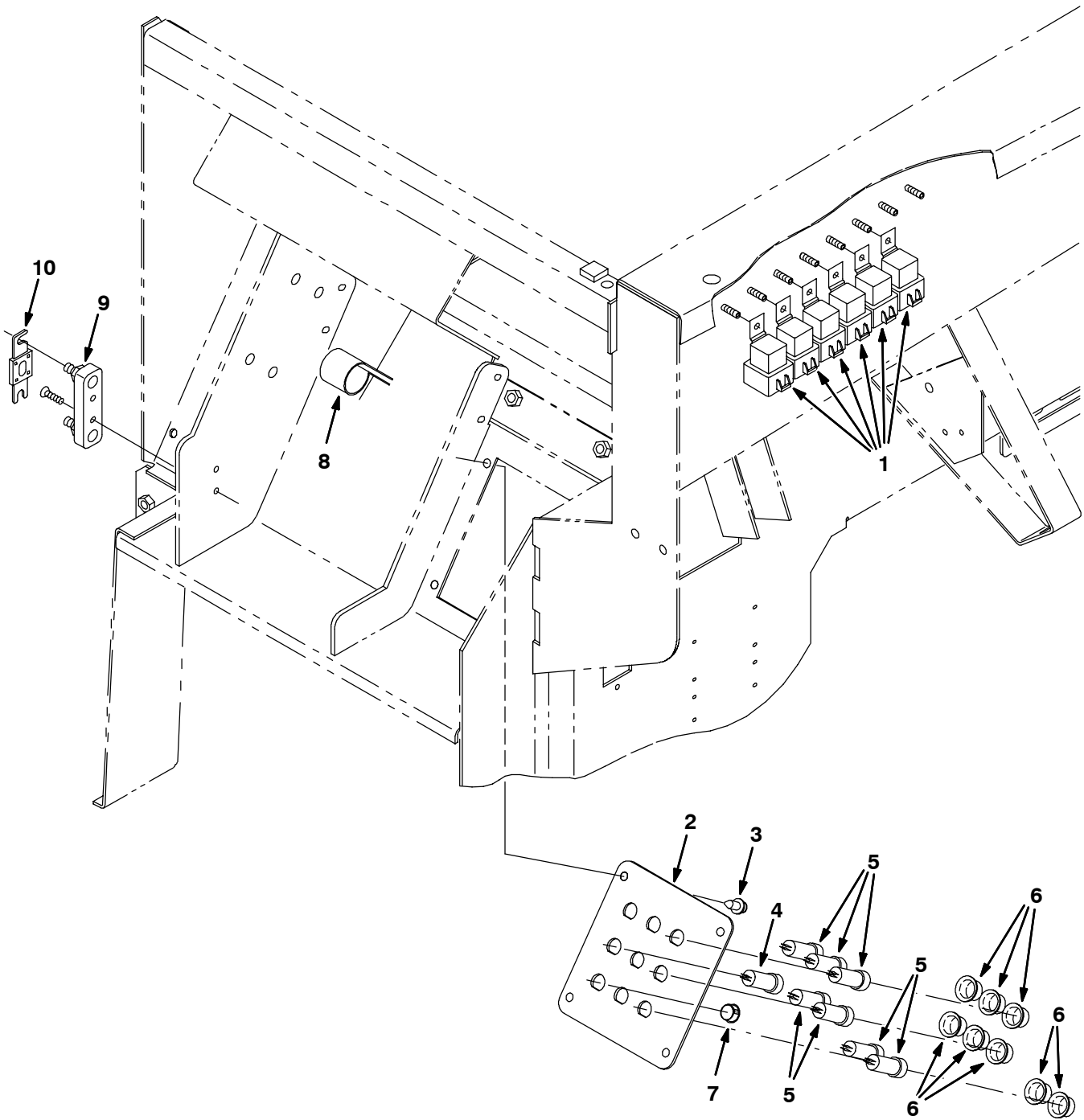


Fig. 75 - Electrical Circuit Breaker and Relay Group

Ref.	Part No.	Serial Number	Description	Qty.
1	56186	(000000-	) Relay, Shrouded, 12 Vdc	6
2	10612	(000000-	) Plate, Circuit Breaker	1
3	72970	(000000-	) Rivet, Plastic .250Dx.898	4
4	57164	(000000-	) Breaker-Circuit 10 Resetable	1
5	57803	(000000-	) Breaker-Circuit, 15A Resetable	7
6	57751	(000000-	) Boot,Circuit Breaker	8
7	57167	(000000-	) Plugbtn .62H .03-.12 Blacknyl	1
8	58366	(000000-	) Clamp,Cable 1.25Dia 1.00W Neo	1
9	86381	(000000-	) Block, Fuse	1
10	87319	(000000-	) Fuse, 40 Amp	1

Fig. 76 - Electrical Schematic (000000-014214)

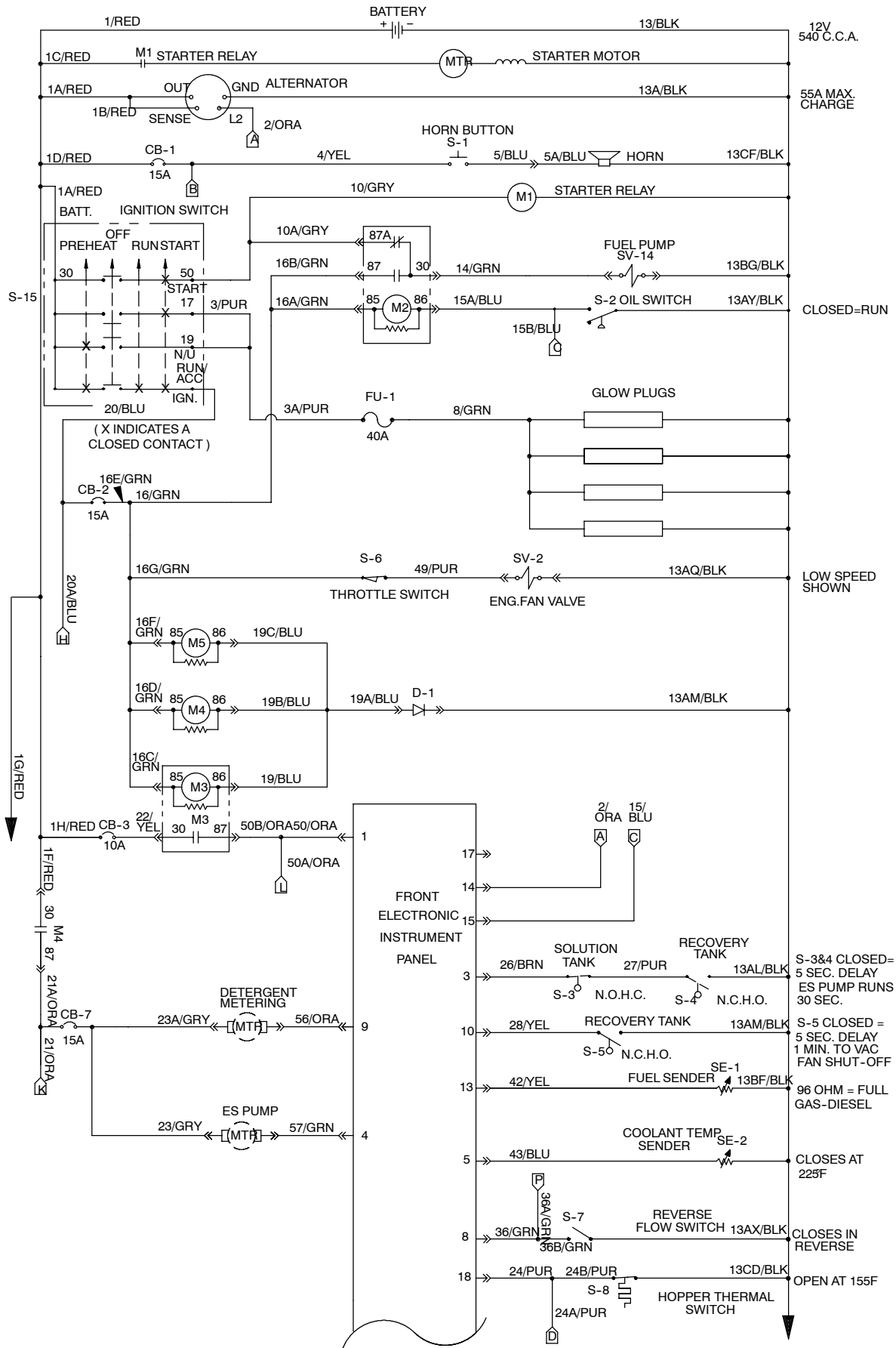


Fig. 76 - Electrical Schematic (000000-014214)

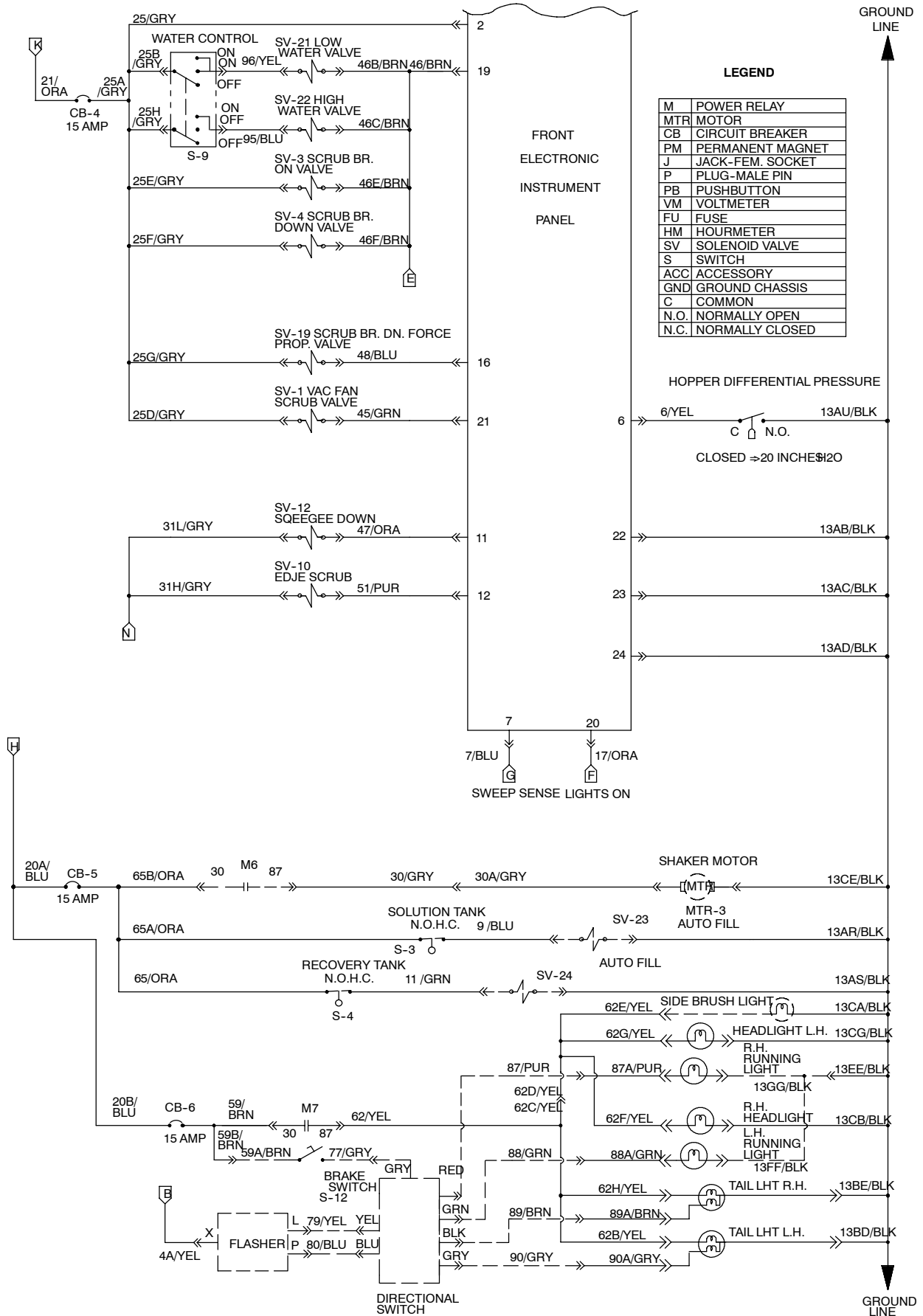


Fig. 76 - Electrical Schematic (000000-014214)

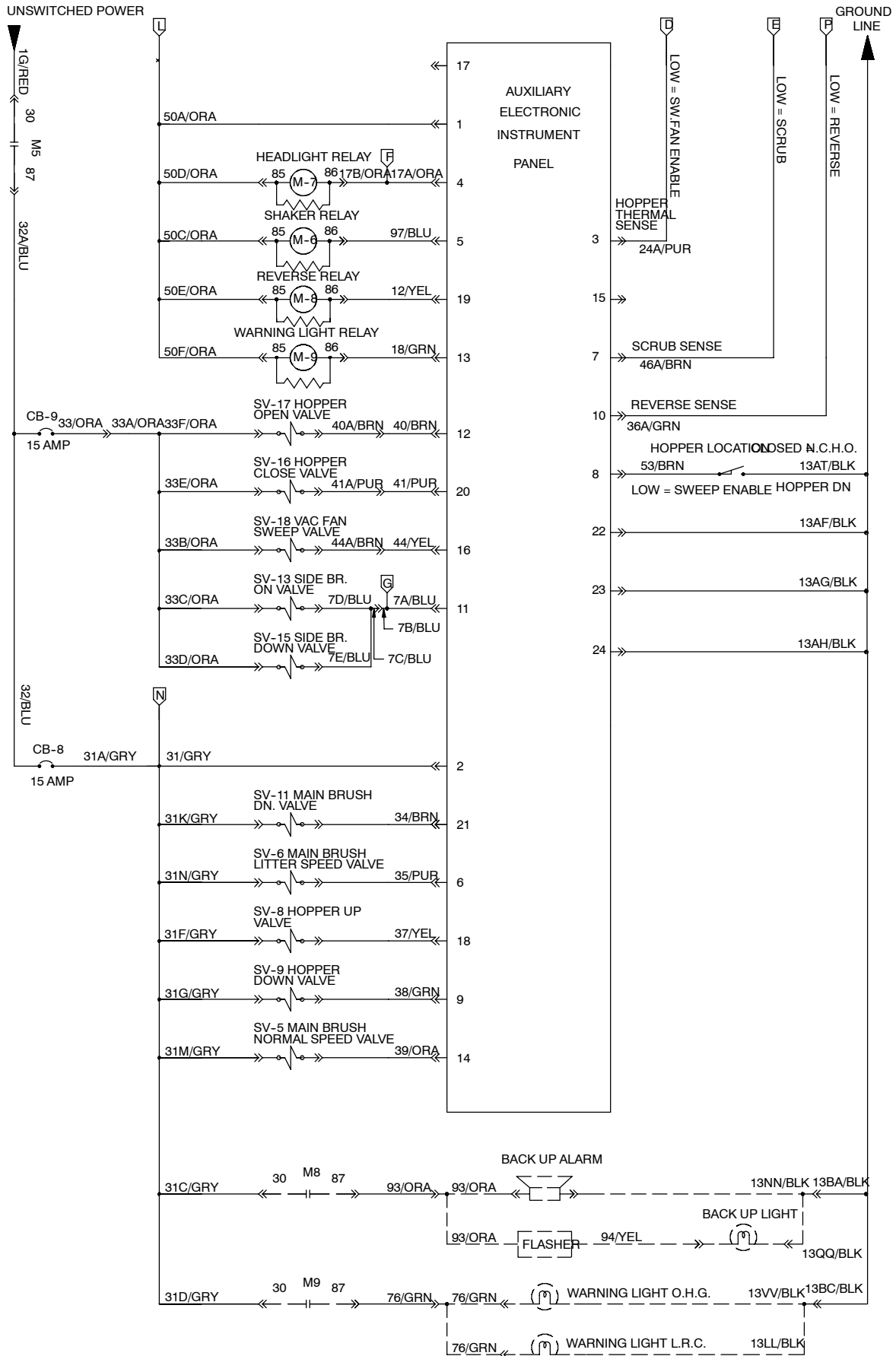






Fig. 77 - Electrical Schematic (014215- )

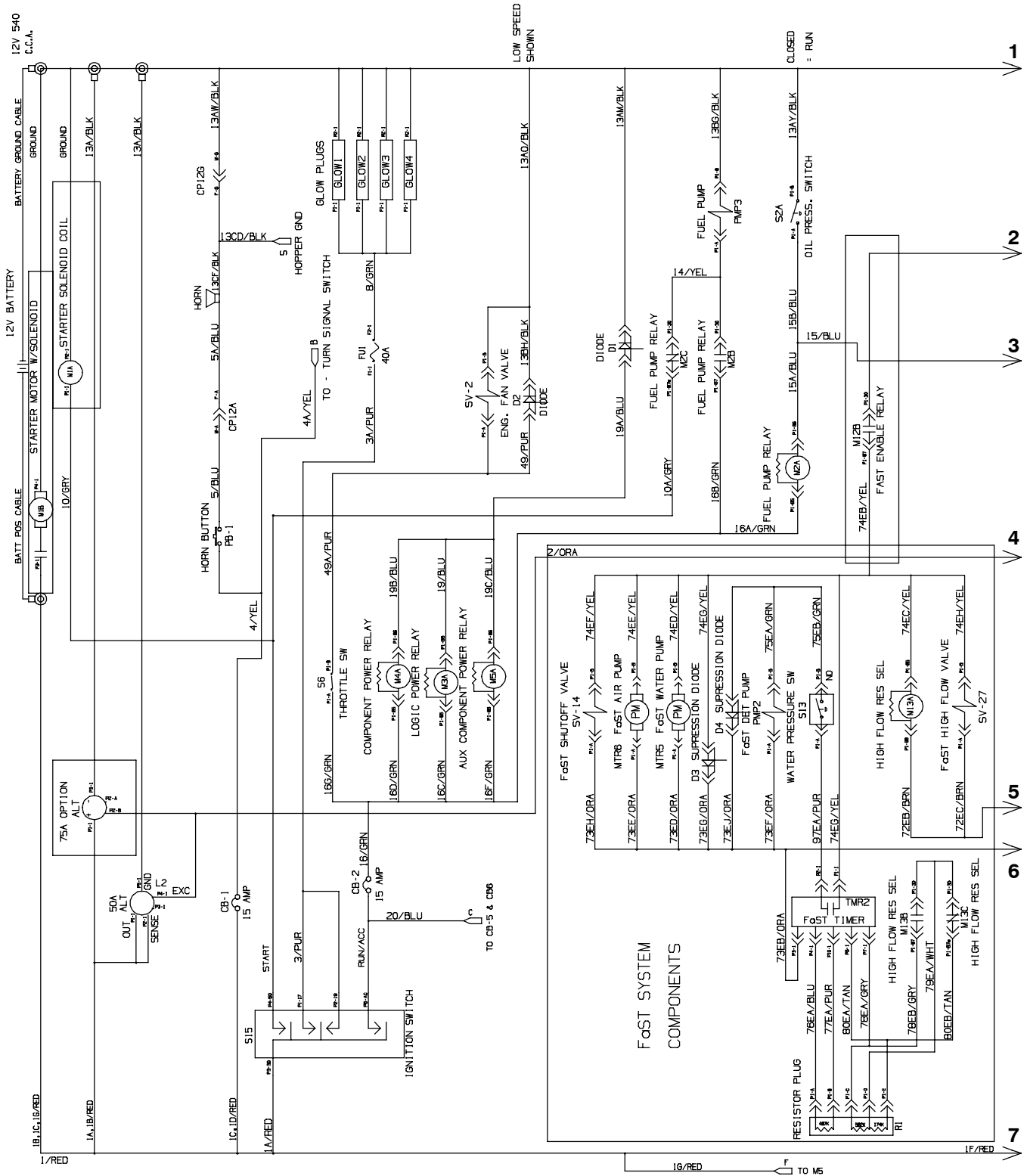


Fig. 77 - Electrical Schematic (014215- )

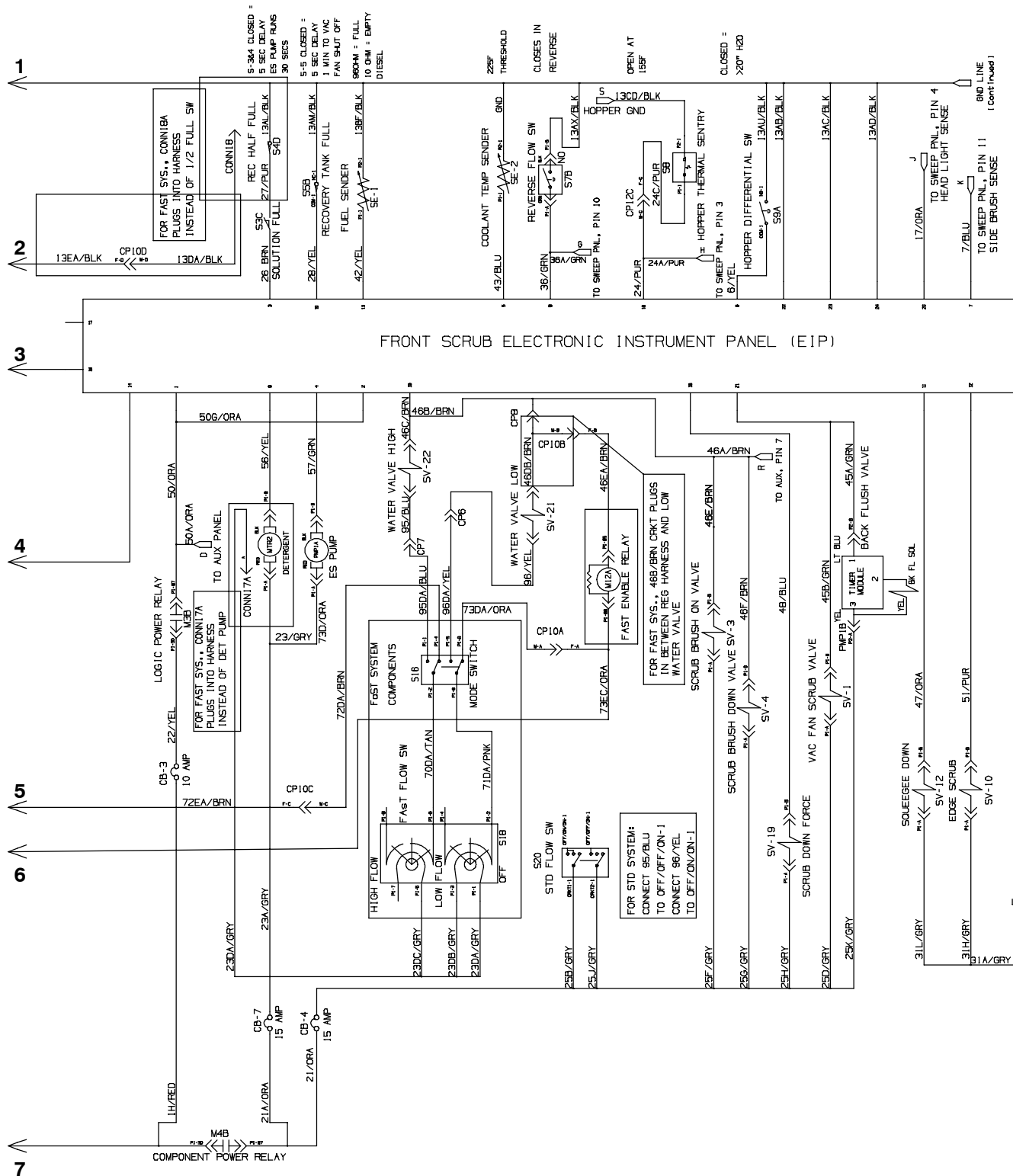


Fig. 77 - Electrical Schematic (014215- )

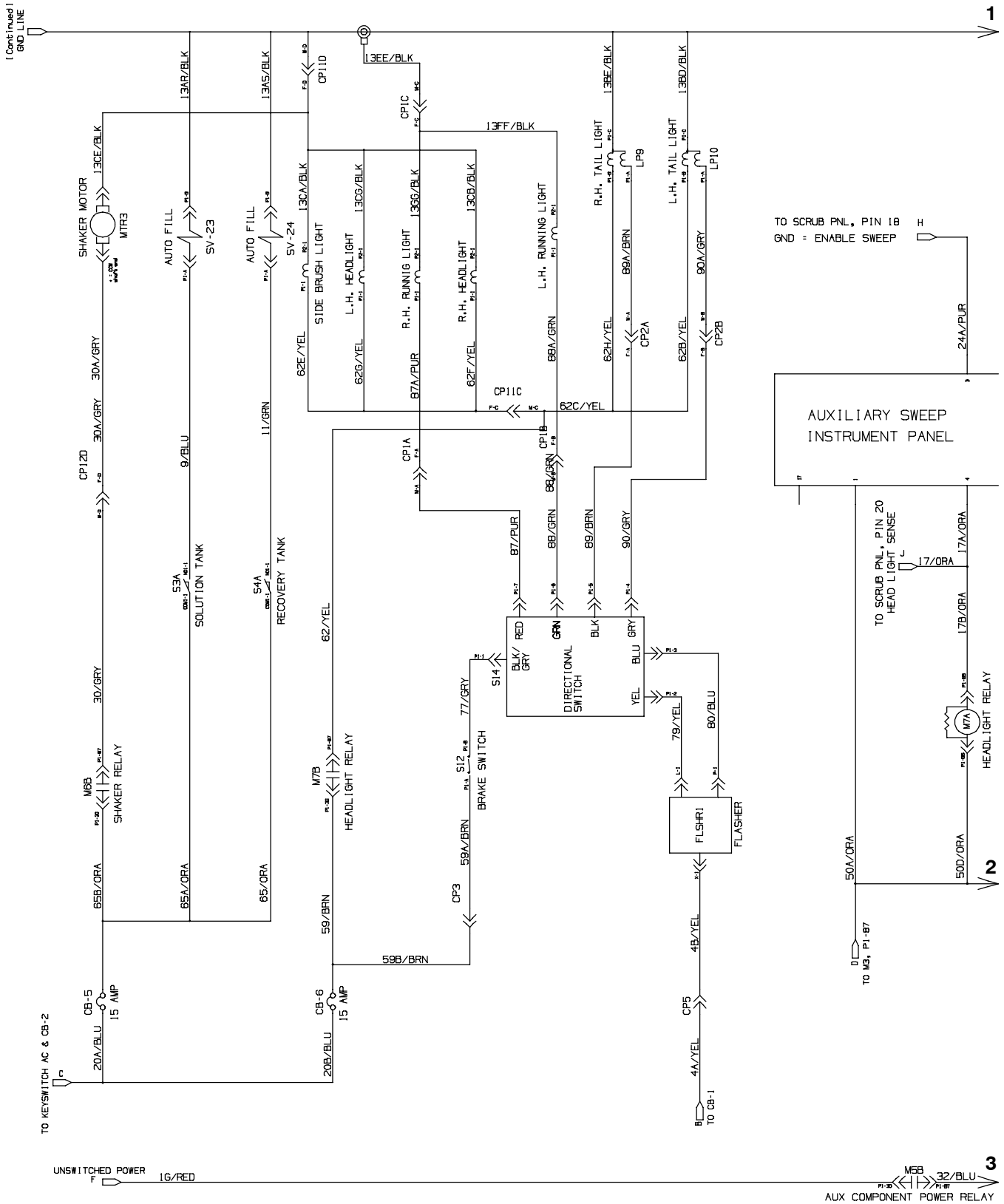


Fig. 77 - Electrical Schematic (014215-

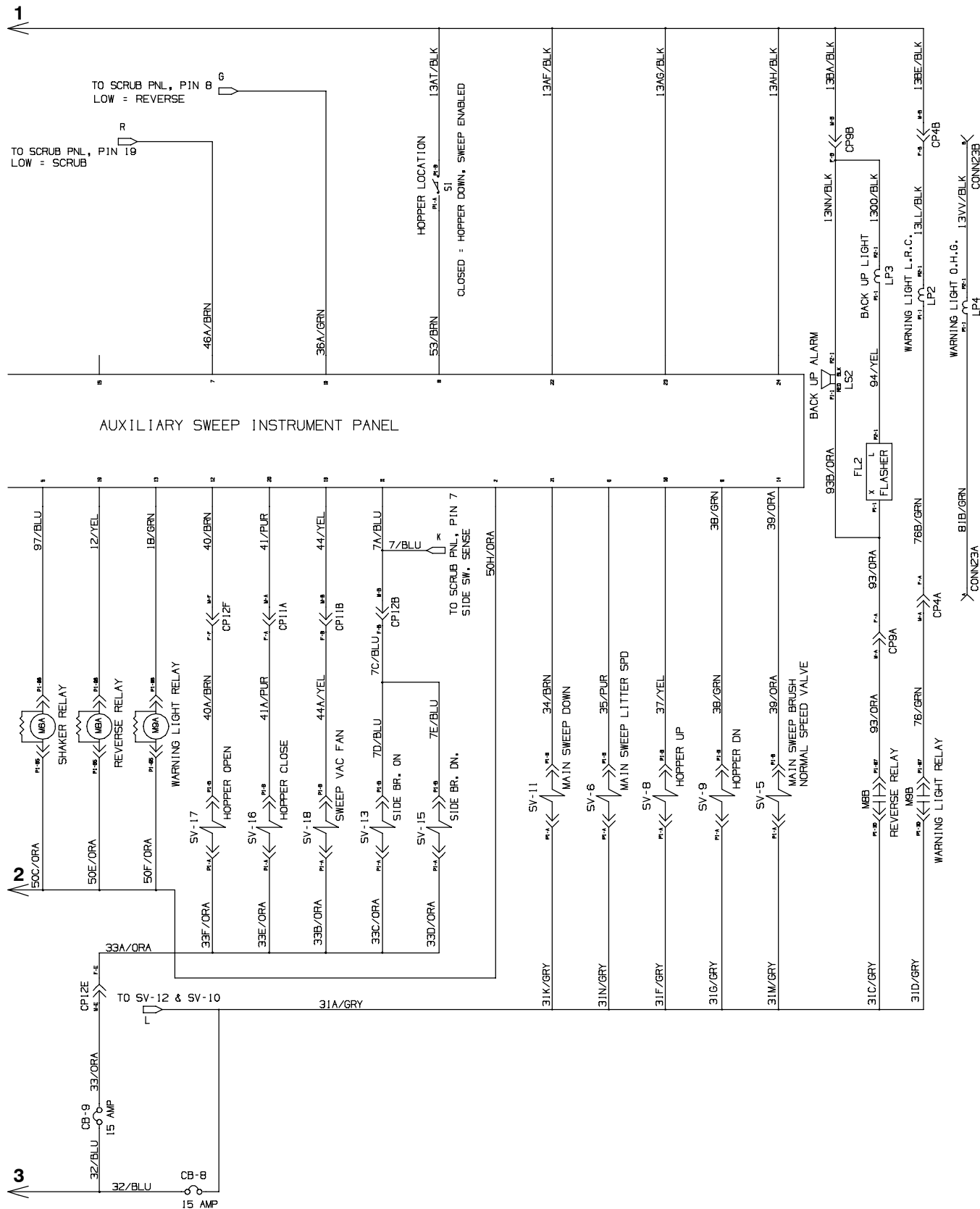


Fig. 78 - Wire Harness Group

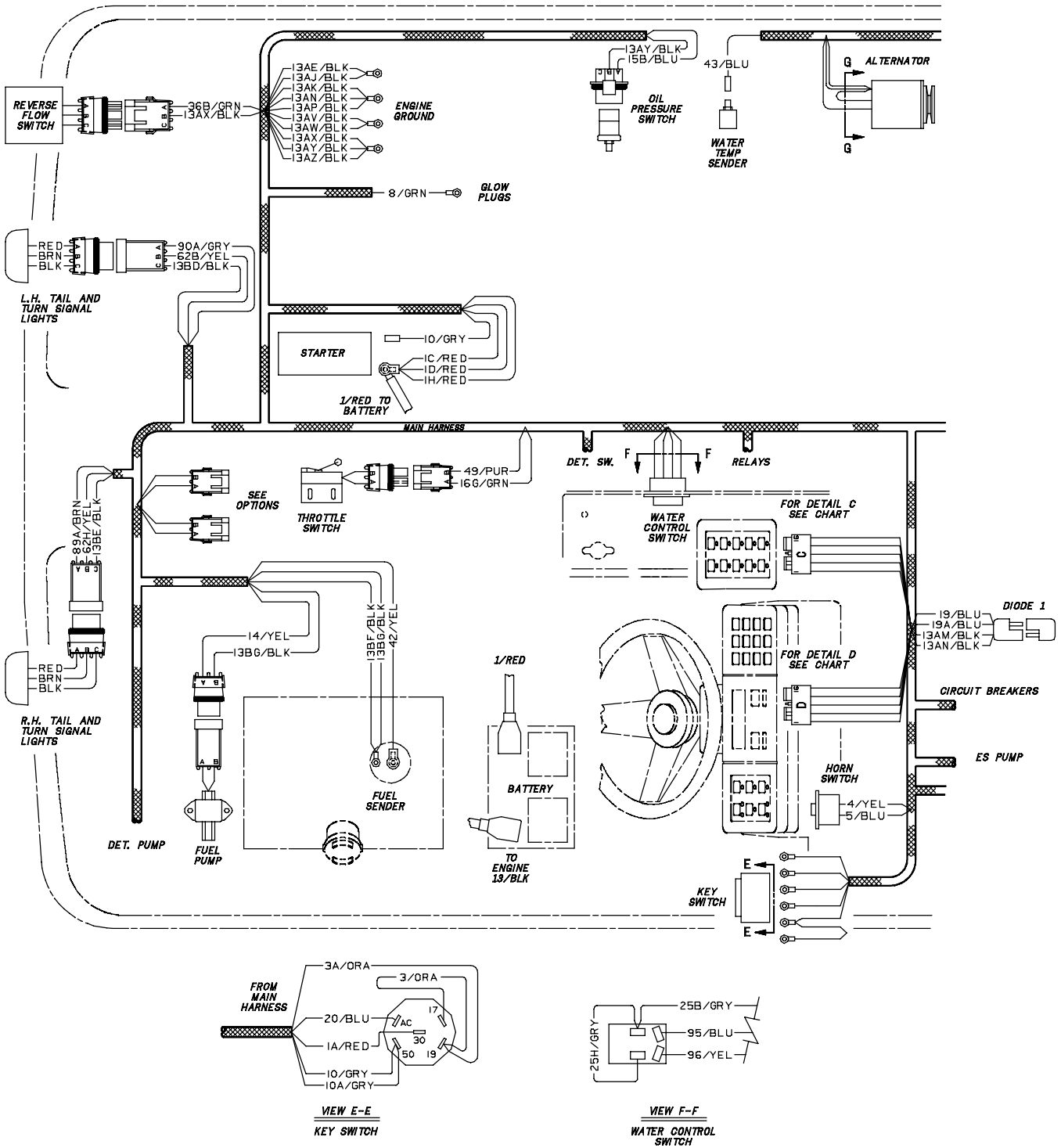
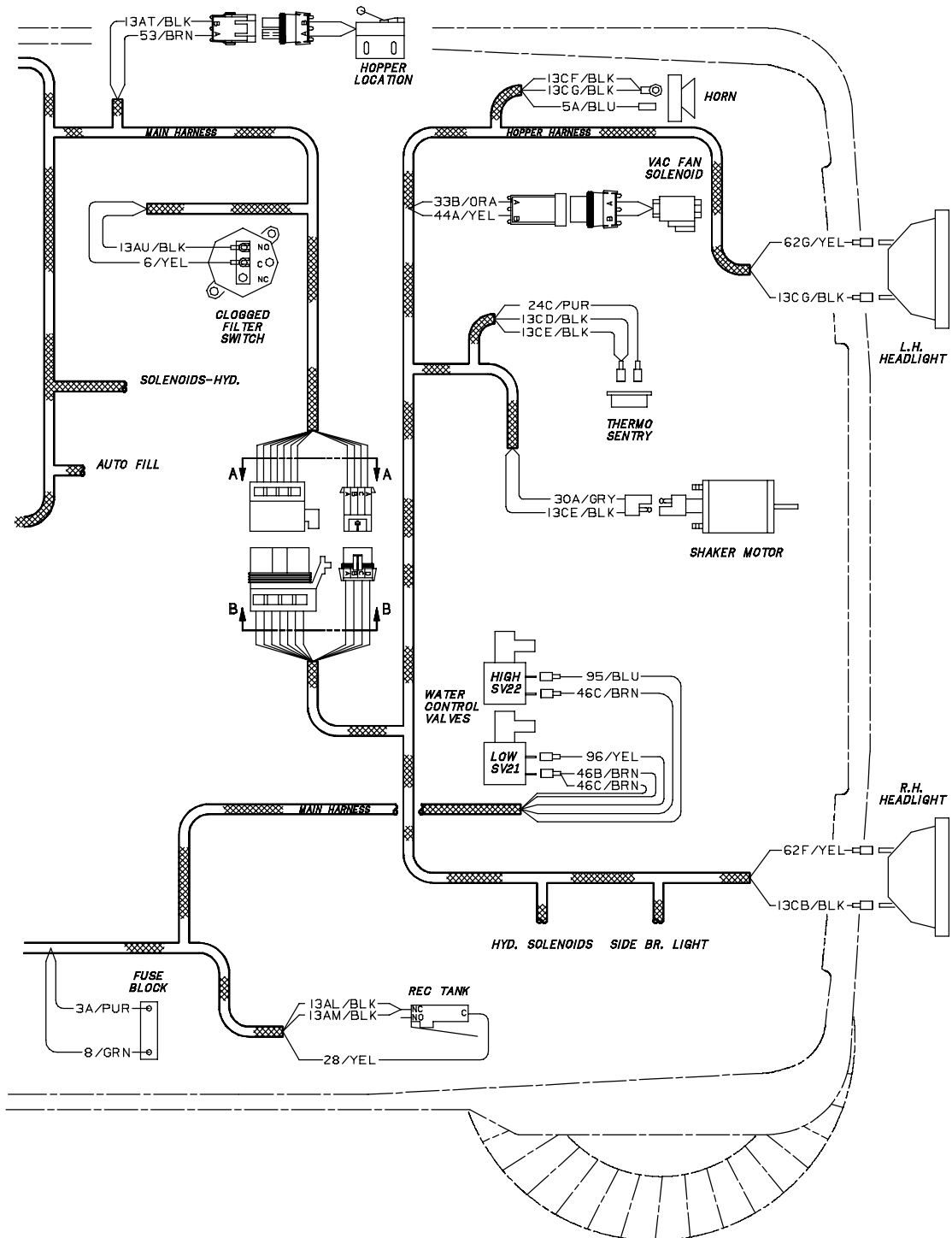
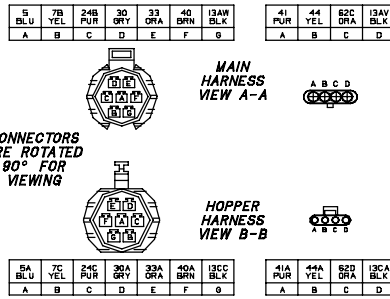
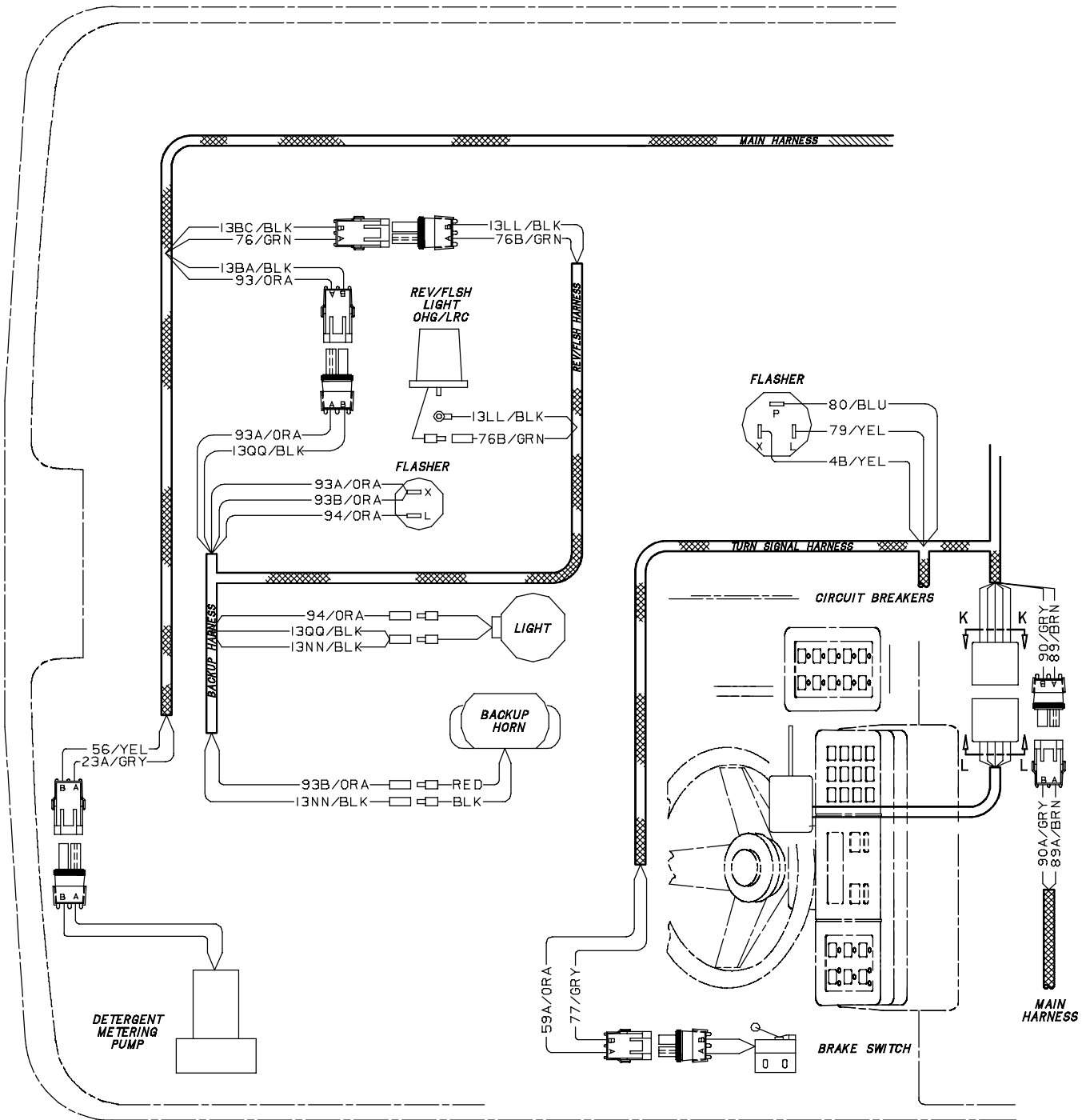


Fig. 78 - Wire Harness Group



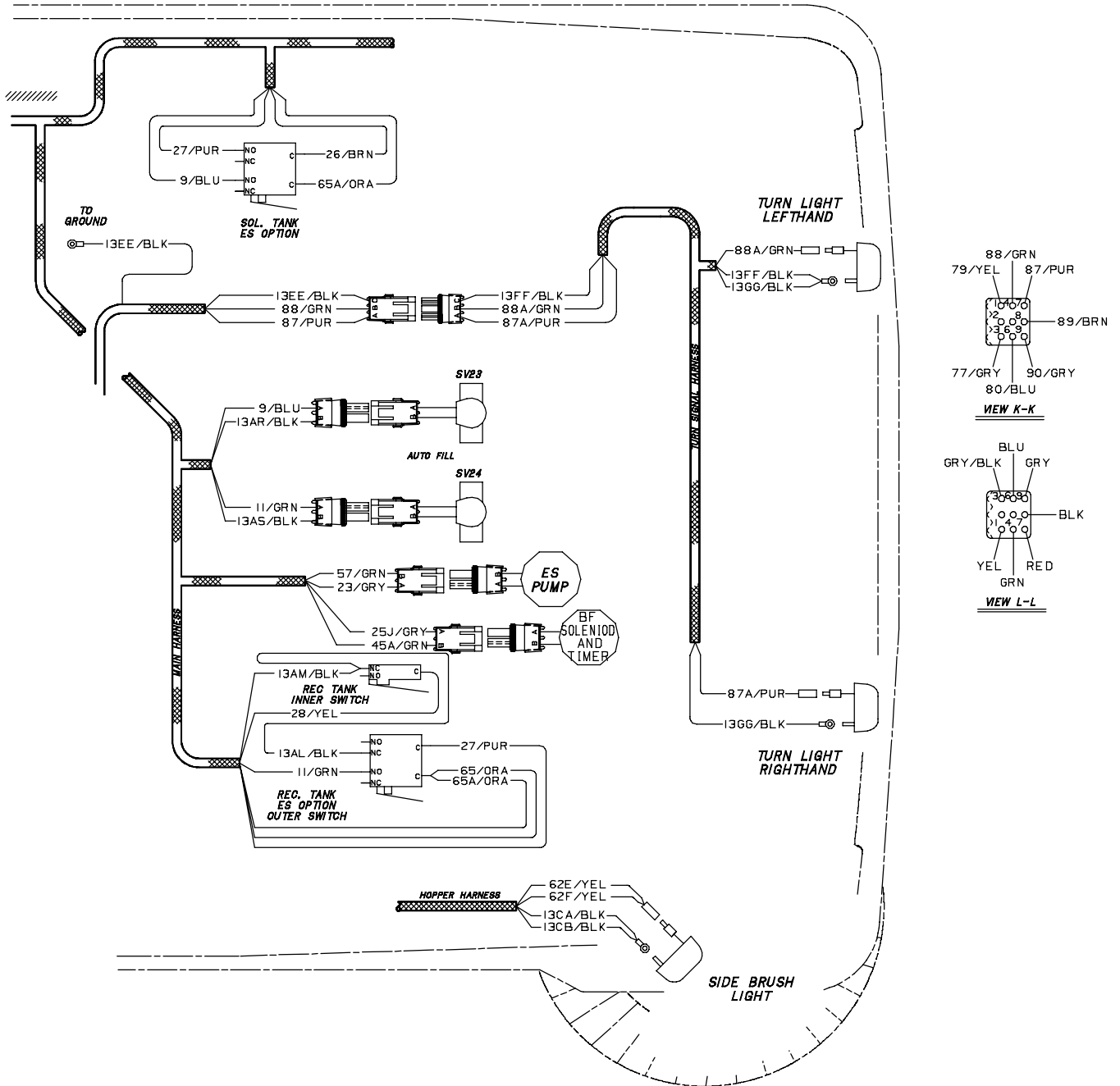
**Fig. 78 - Wire Harnesses Group**



**OPTIONS**

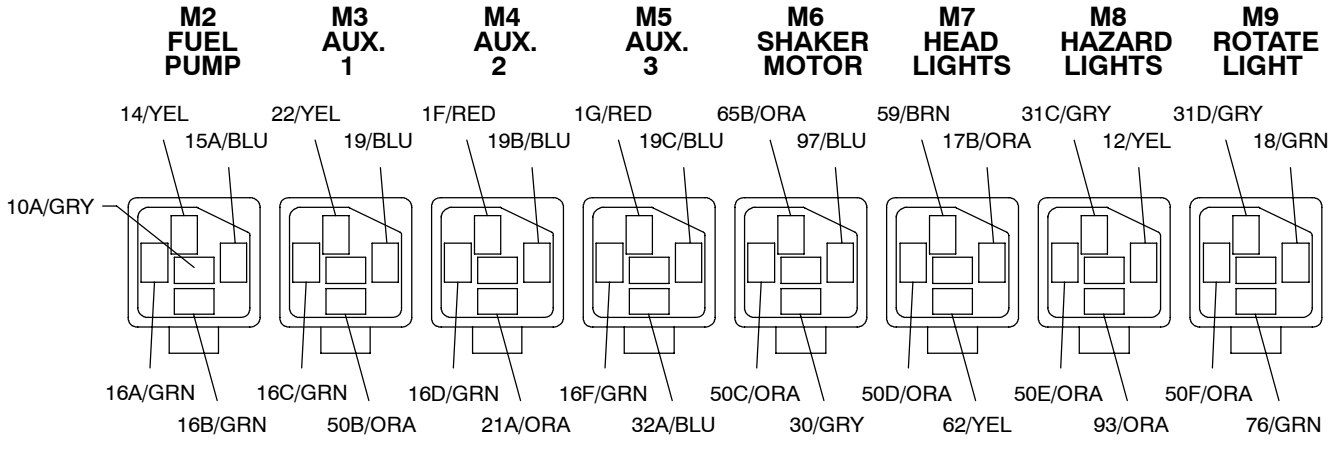


Fig. 78 - Wire Harnesses Group

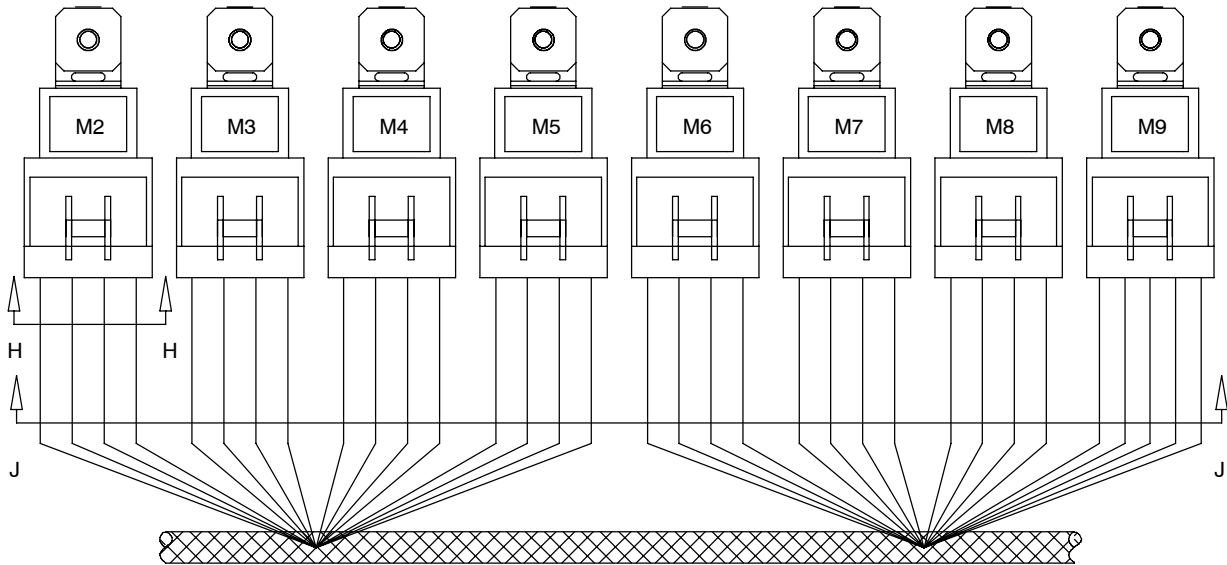


OPTIONS

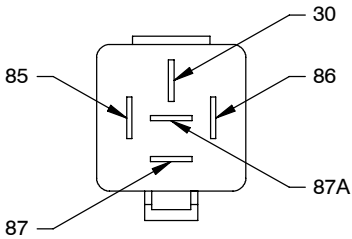
**Fig. 78 - Wire Harnesses Group**



VIEW J-J



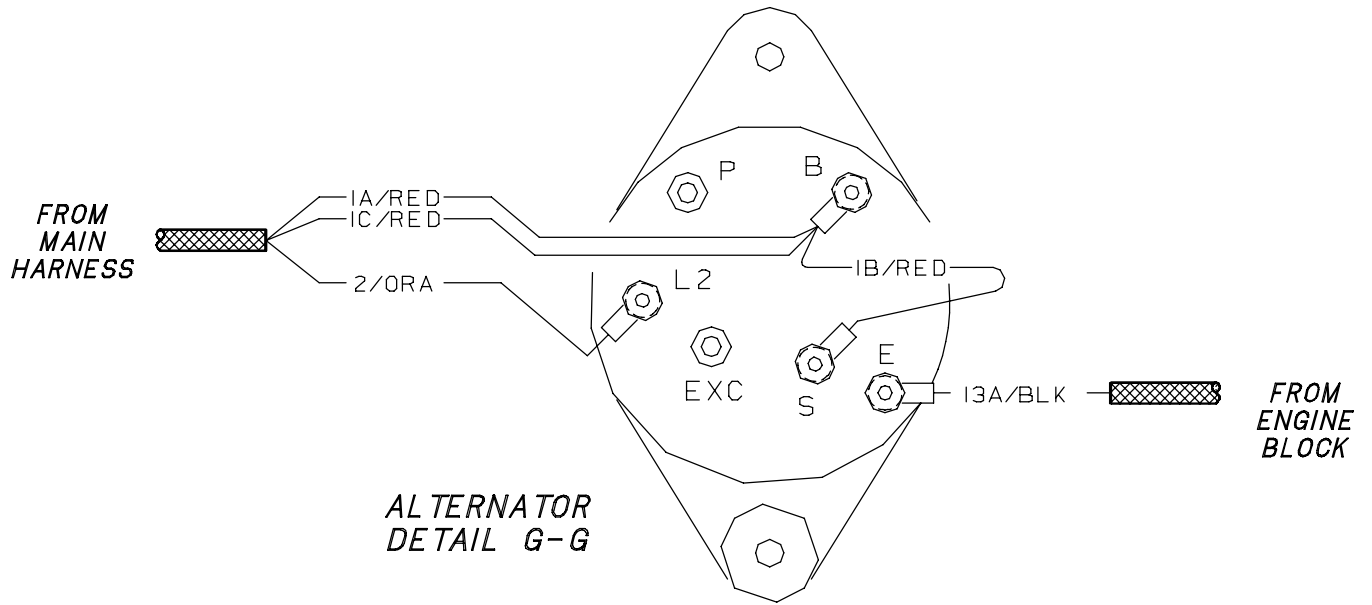
**MAIN HARNESS**



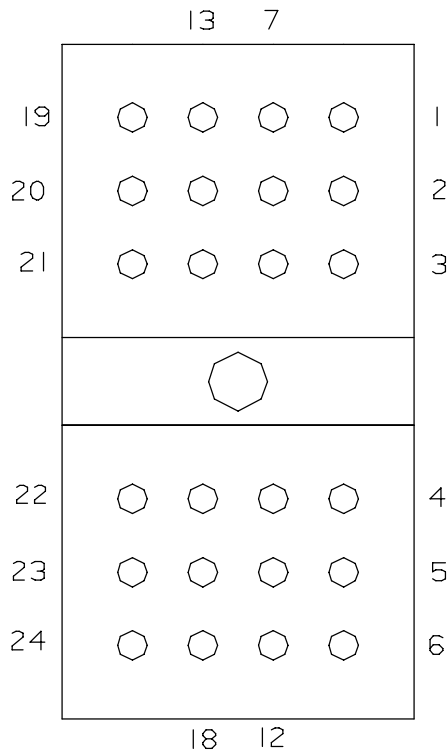
- 85 COIL+
- 86 COIL -
- 30 COMMON CONTACT
- 87 N.O. CONTACT
- 87A N.C. CONTACT

VIEW H-H

Fig. 78 - Wire Harnesses Group



CONNECTOR WIRING



MAIN/AUXILLARY  
INSTRUMENT PANEL  
REAR VIEW  
(REFERENCE ONLY)

SOC. NO.	CONN. C.	CONN. D.
1	50A/GRY	50J/ORA
2	50H/ORA	50G/ORA
3	24A/PUR	26/BRN
4	17A/ORA	57/GRN
5	97/BLU	43/BLU
6	35/YEL	6/YEL
7	46A/BRN	7/BLU
8	53/BRN	36/GRN
9	38/GRN	56/YEL
10	36A/GRN	28/YEL
11	7A/BLU	47/ORA
12	40/BRN	51/PUR
13	18/GRN	42/YEL
14	39/ORA	2/ORA
15	PLUG	15/BLU
16	44/YEL	48/BLU
17	PLUG	PLUG
18	37/YEL	24/PUR
19	12/YEL	46/BRN
20	41/PUR	17/ORA
21	34/BRN	45/GRN
22	13AF/BLK	13AB/BLK
23	13AG/BLK	13AC/BLK
24	13AH/BLK	13AD/BLK

**Fig. 78 - Wire Harnesses Group**

- SV-5 MAIN BRUSH ON - NORMAL SPEED
- SV-6 MAIN BRUSH ON - LITTER SPEED
- SV-8 HOPPER UP
- SV-9 HOPPER DOWN
- SV-10 EDGE SCRUB OUT
- SV-11 MAIN BRUSH DOWN
- SV-12 SQUEEGEE DOWN

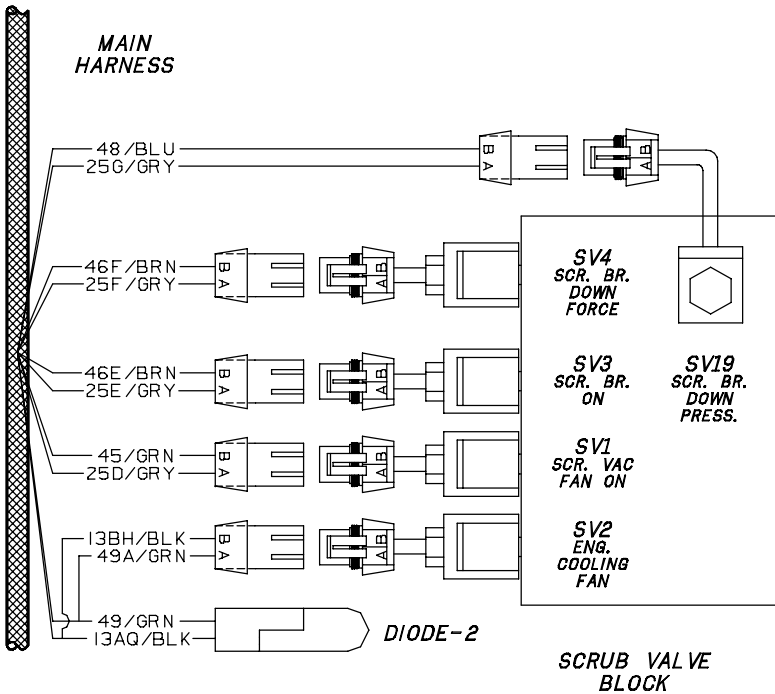
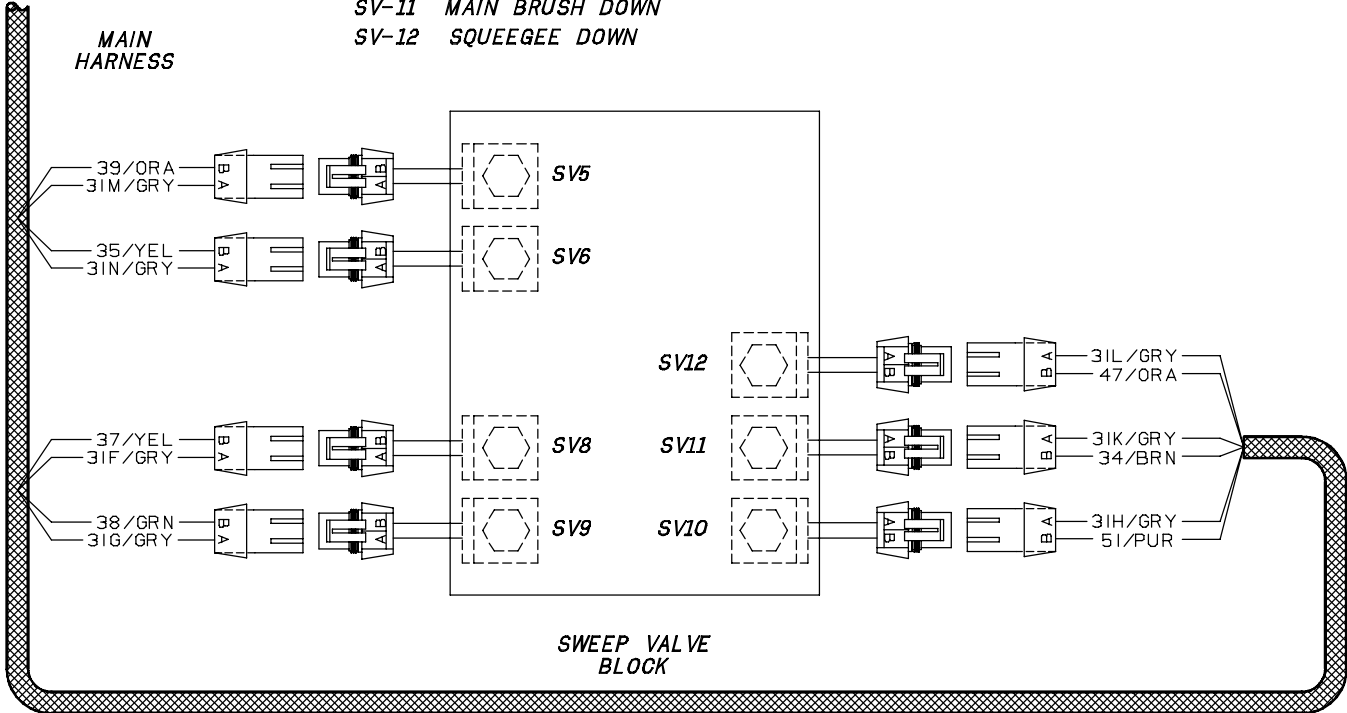
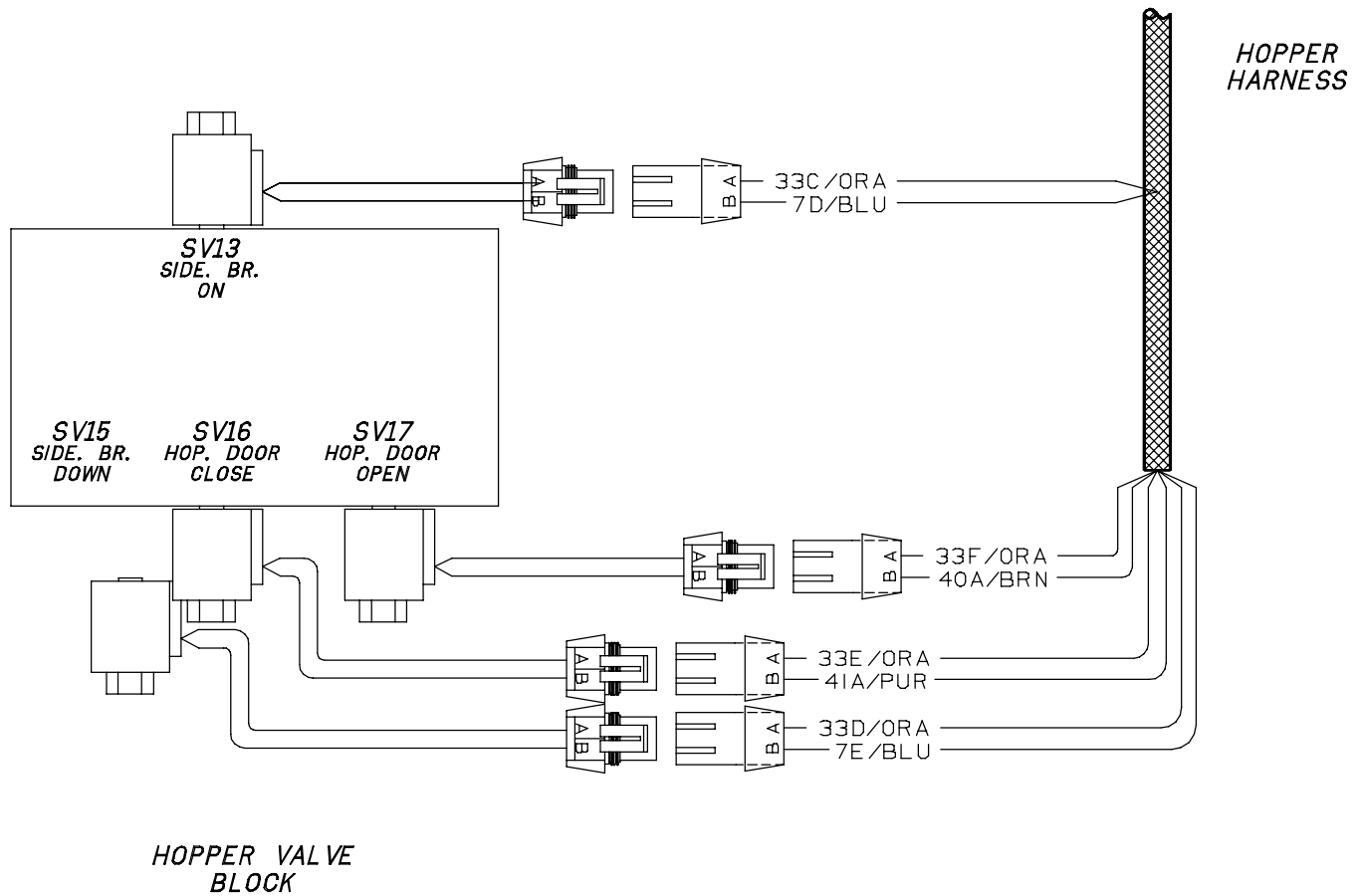
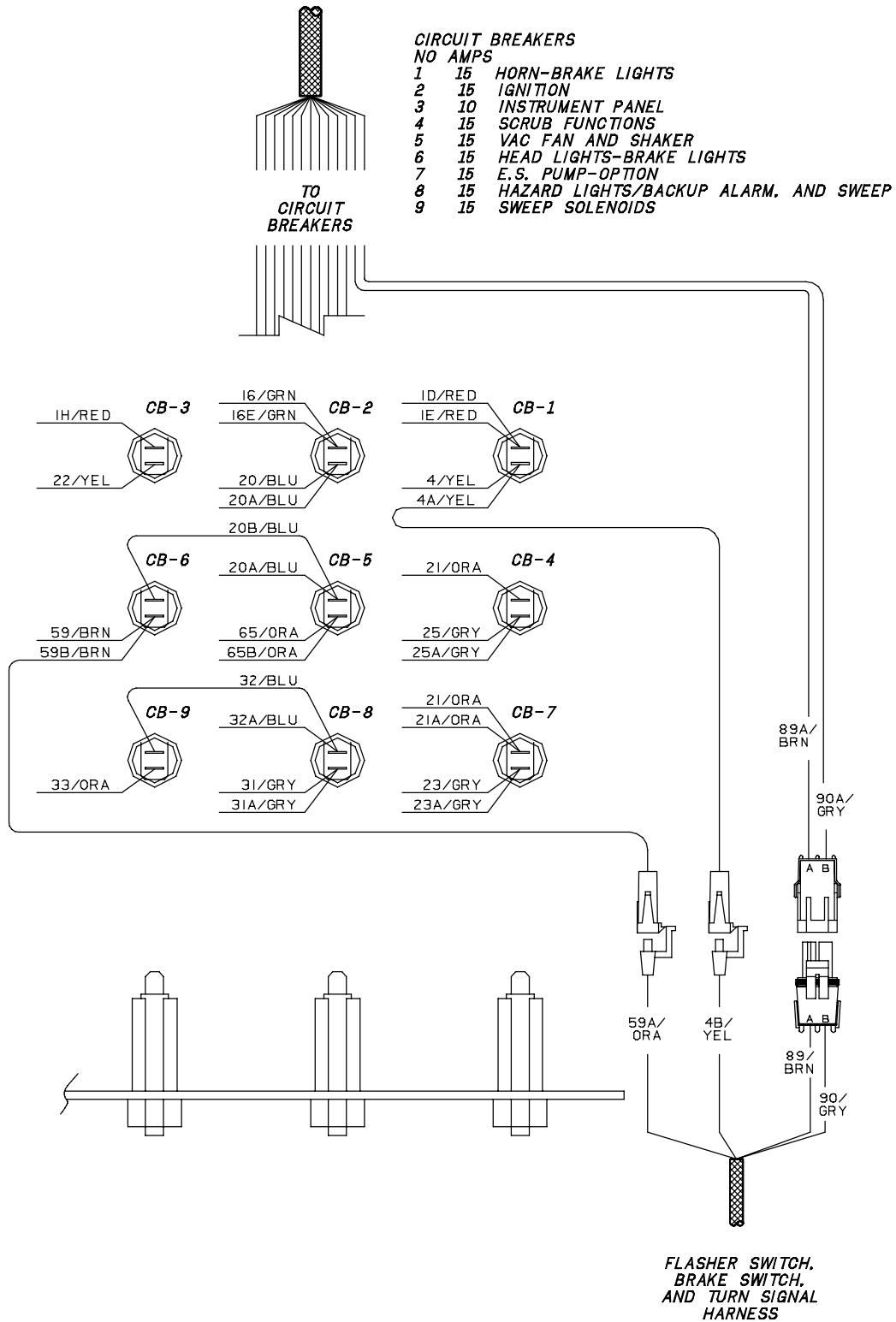


Fig. 78 - Wire Harnesses Group



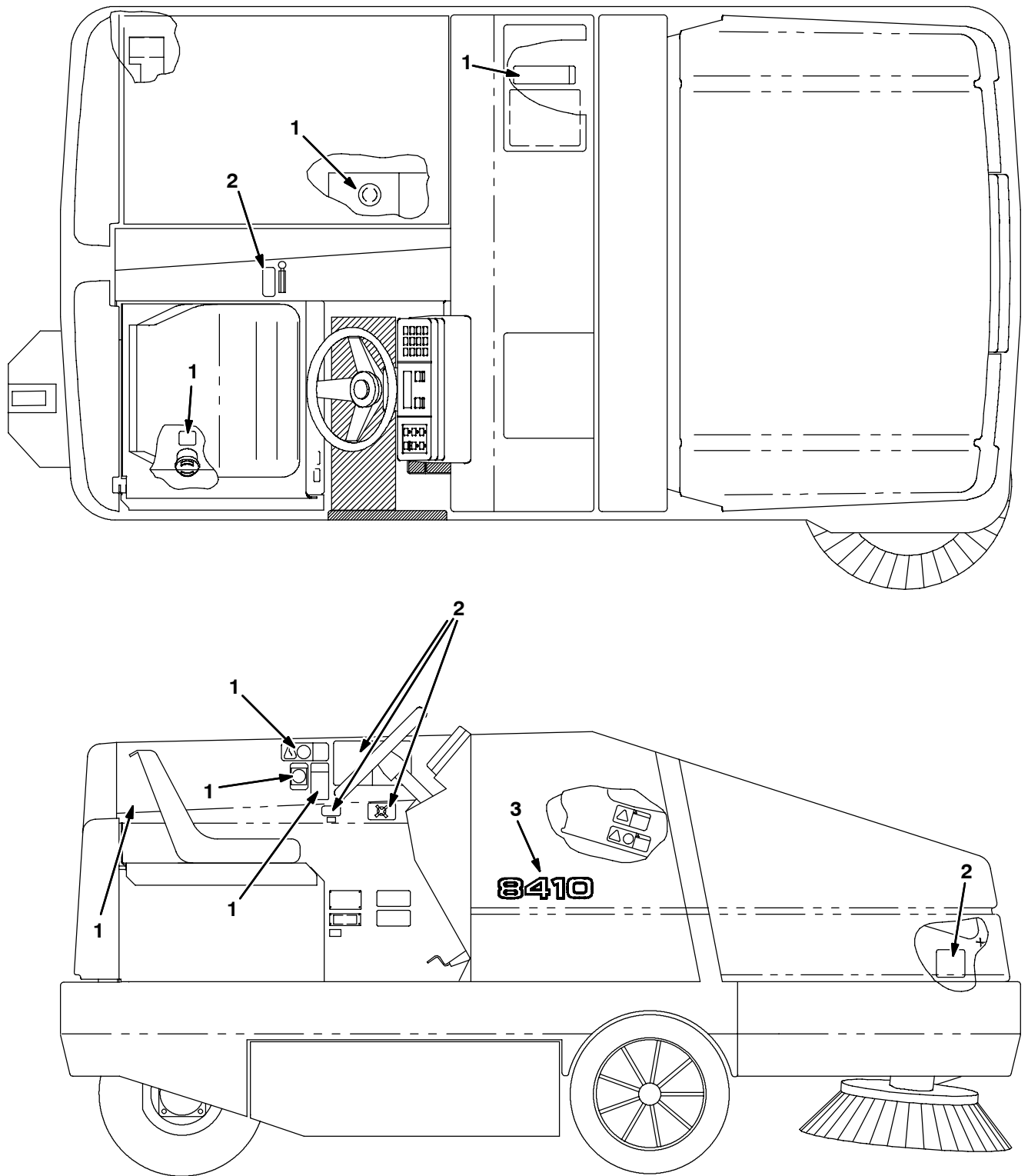
**Fig. 78 - Wire Harness Group**



83711, 11093 - 8410, D

Ref.	Tennant Part No.	Machine Serial Number	Description	Qty.
1	83722	(000000- )	Harness, Main, 8410 Die	1
2	83721	(000000- )	Harness, Hopper 8410	1

Fig. 79 - Label Group



11087 - ALL

Ref.	Tennant Part No.	Machine Serial Number	Description	Qty.
1	77221	(000000- )	Label Set, Info & HZD 8400/8410	1
2	77352	(000000- )	Label Set, Operational 8400/8410	1
3	84027	(000000- )	Label, Numerals 8410	2

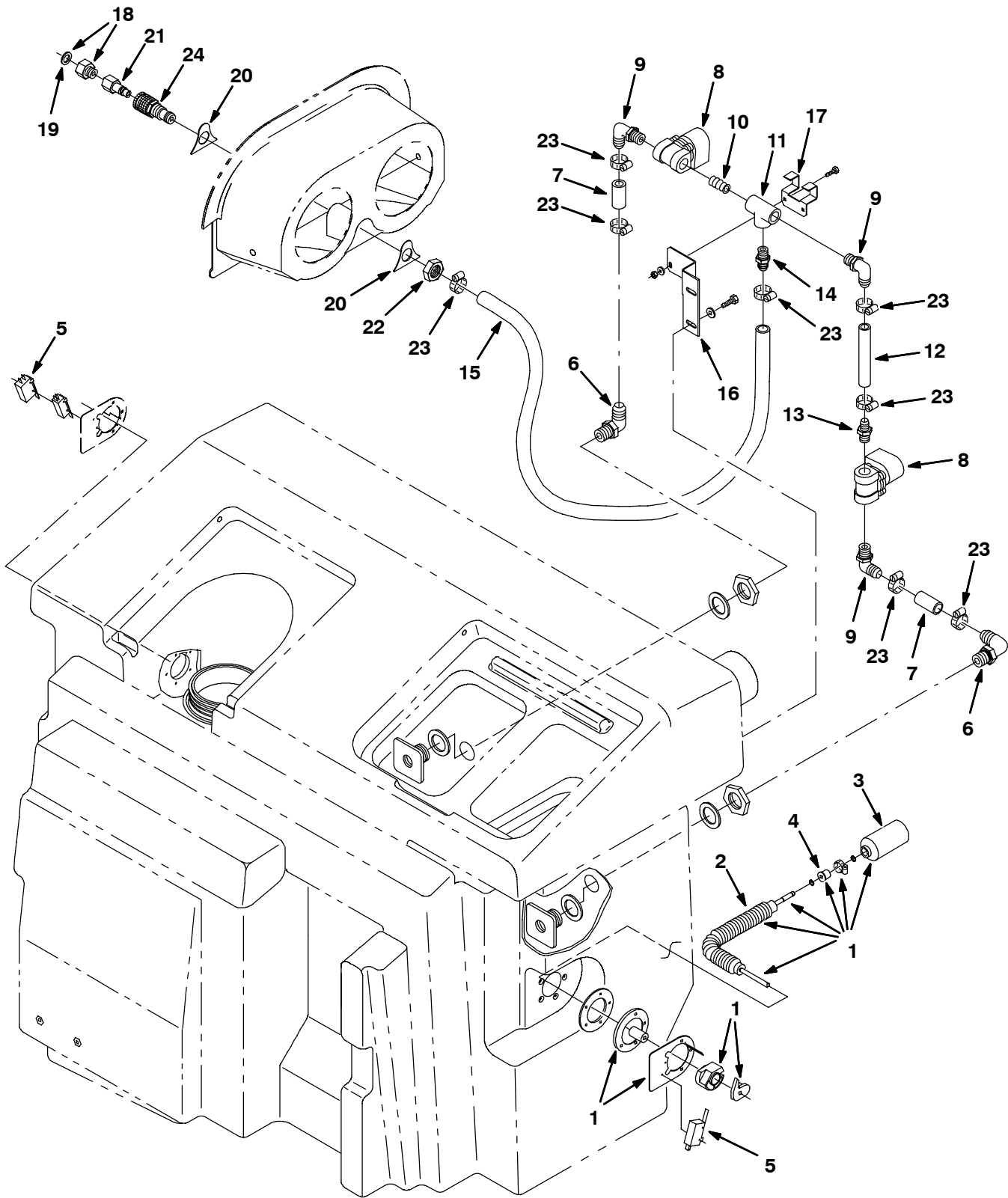




# SECTION 3

Contents	Page
Fig. 1 - ES Autofill Group .....	3-2
Fig. 2 - ES Pump Column Group .....	3-4
Fig. 3 - ES Detergent Tank Group .....	3-6
Fig. 4 - Light Kit, Signal .....	3-8
Fig. 5 - Light Kit, Flashing Overhead Guard ..	3-10
Fig. 6 - Light Kit, Revolving Overhead Guard ..	3-12
Fig. 7 - Light Kit, Flashing LRC .....	3-14
Fig. 8 - Light Kit, Revolving LRC .....	3-16
Fig. 9 - Light Kit, Side Brush .....	3-18
Fig. 10 - Back-Up Alarm Kit .....	3-19
Fig. 11 - Overhead Guard Kit .....	3-20
Fig. 12 - Overhead Guard Kit, 87" .....	3-21
Fig. 13 - Seat Kit .....	3-22
Fig. 14 - Seat Mounting Bracket Kit .....	3-23
Fig. 15 - Seat Belt Kit .....	3-24
Fig. 16 - Fire Extinguisher Kit .....	3-25
Fig. 17 - Spark Arresting Muffler Group .....	3-26
Fig. 18 - Protectoseal Fuel Tank Cap Group ...	3-27
Fig. 19 - Squeegee Wand Kit .....	3-28
Fig. 20 - Positive Solution Control Drain System Kit Std .....	3-29
Fig. 21 - Positive Solution Control Drain System Kit ES .....	3-30
Fig. 22 - Vacuumized Skirt Kit, Main Brush ....	3-31
Fig. 23 - Side Brush Dust Control Kit .....	3-32
Fig. 24 - Right Hand Side Squeegee Guard Kit .	3-34
Fig. 25 - Machine Transport Kit .....	3-36
Fig. 26 - Heavy Duty Engine Air Filter Kit .....	3-38
Fig. 27 - Sight Gauge Kit .....	3-39
Fig. 28 - Solid Turf Tire and Wheel Assembly ..	3-40
Fig. 29 - Solid Non Marking Turf Tire and Wheel Assembly .....	3-41
Fig. 30 - Solid Non Marking Tire and Wheel Assembly .....	3-42
Fig. 31 - Documentation Group .....	3-43

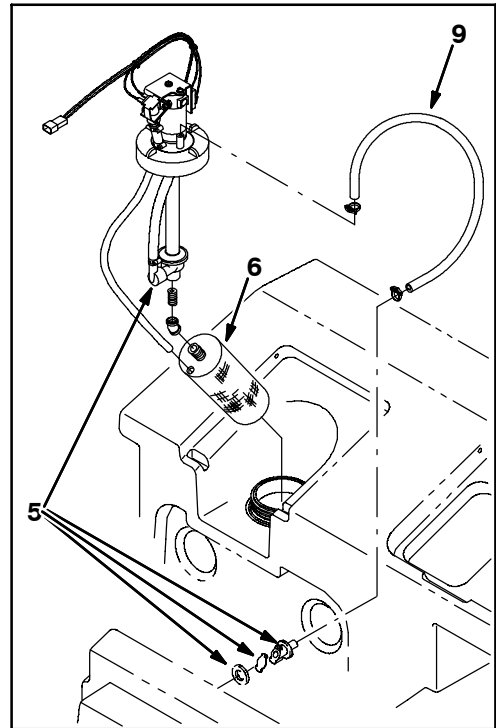
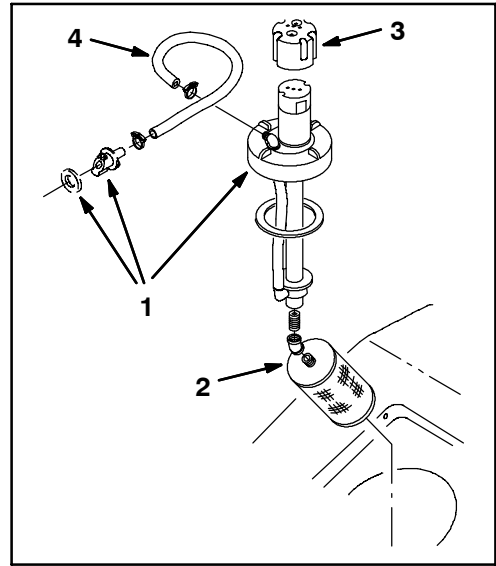
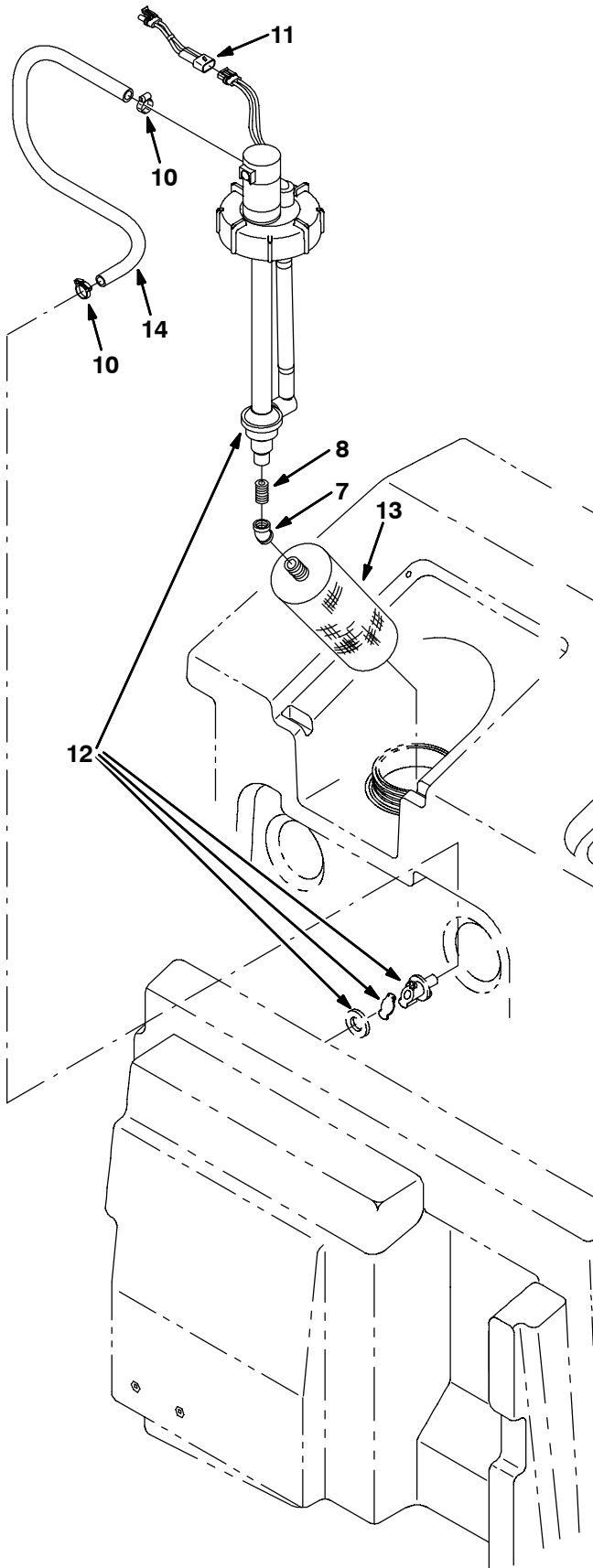
Fig. 1 - ES Autofill Group



**Fig. 1 - ES Autofill Group**

	<b>Ref.</b>	<b>Part No.</b>	<b>Serial Number</b>	<b>Description</b>	<b>Qty.</b>
▽	1	73147	(000000-	) Level Sensing Assy	1
▲	2	73145	(000000-	) Bellows, .75 Id 10.3L	1
▲	3	50238	(000000-	) Float Bottle	1
▲	4	50256	(000000-	) Plug, Float	1
	5	1008147	(000000-	) Switch, Snap Actn, 250vdc 20a Dpdt	2
	6	73468	(000000-	) Fitting-Pls E90	2
	7	83806	(000000-	) Hose, Vinyl .62Id .88Od 2.0L	2
	8	73433	(000000-	) Valve, Solenoid, 12V Dc	2
	9	47701	(000000-	) Ftg,Plstc,Elb,Barb.50Pt-.62Hse	3
	10	86508	(000000-	) Fitting, Plstc, Str, Pm08/Pm08	1
	11	79497	(000000-	) Ftg,Plstc,Tee.50-.50-.50Pipe	1
	12	83807	(000000-	) Hose, Vinyl .62Id .88Od 5.3L	1
	13	41440	(000000-	) Ftg, Plastic,Str	1
	14	78398	(000000-	) Ftg,Plstc,Str,Barb.50Pt-.75Hse	1
	15	73478	(000000-	) Hose, Vinyl Clr, .75Idx 65.0Lg	1
	16	83799	(000000-	) Bracket, Angle	1
	17	83798	(000000-	) Bracket, Clamp	1
▽	18	375322	(000000-	) Kit, Fitting, Garden Hose	1
▲	19	01316	(000000-	) Washer, Rbr, .12 0.66b 1.00d	1
	20	10672	(000000-	) Plate, Backup	2
	21	33295	(000000-	) Ftg Qkdisc, Male	1
	22	48988	(000000-	) Nut-Hx Jam 1.00-14 Pltd	1
	23	86824	(000000-	) Clamp-Wormdrive 0.50-1.06D	8
	24	10678	(000000-	) Fitting, Bulkhead Fem,	1

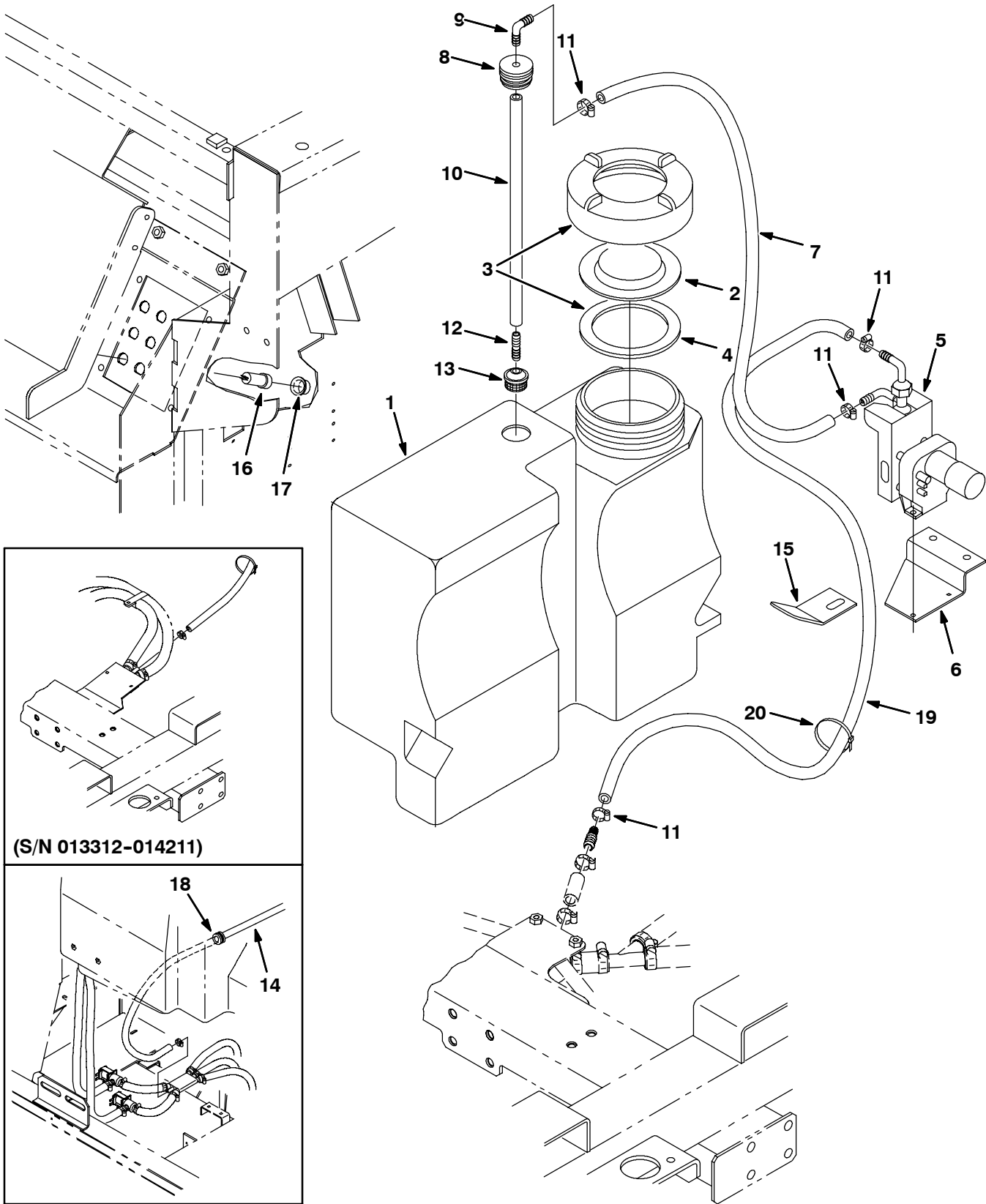
Fig. 2 - ES Pump Column Group



**Fig. 2 - ES Pump Column Group**

<b>Ref.</b>	<b>Part No.</b>	<b>Serial Number</b>	<b>Description</b>	<b>Qty.</b>
1	20866	(000000-012499 )	Kit, Backflush, W/Harness Replaces 379001 (See Breakdowns)	1
2	10573	(000000-012499 )	Screen, Sol, Dbl Cylindrical	1
3	77237	(000000-012499 )	Cover, Motor	1
4	71167	(000000-012499 )	Hose, Rubber	1
5	20891	(012500-014238 )	Pump, Water (See Breakdowns)	1
6	20895	(012500-014238 )	Filter, Backflush 35 Mesh	1
7	10575	(000000-	) Fitting, Plastic	1
8	69784	(000000-	) Fitting, Plstc	1
9	374631	(012500-014238 )	Hose, Molded, Es	1
10	71168	(000000-	) Clamp, Hose	2
11	391946	(014239-	) Harness, Jumper, Pump [7400/8410]	1
12	1021210	(014239-	) Pump Assy, Column, Es (See Breakdowns)	1
13	10573	(014239-	) Strainer, Soltn, 20 Mesh, Cyl 4.0d 8.0l	1
14	369811	(014239-	) Hose, Pvc, Brd, 0.62id 0.88od 09.00l	1

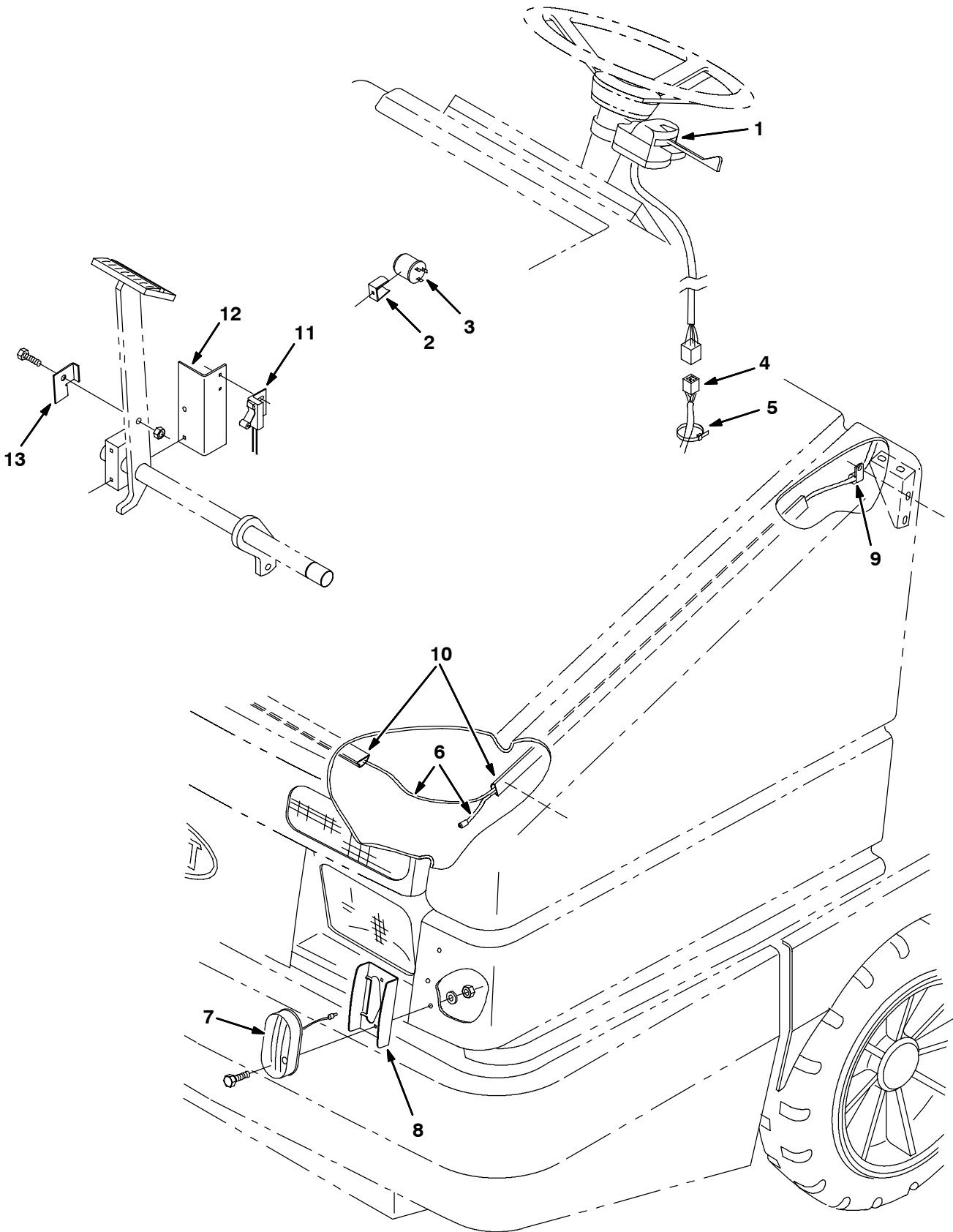
**Fig. 3 - ES Detergent Tank Group**



**Fig. 3 - ES Detergent Tank Group**

Ref.	Part No.	Serial Number	Description	Qty.
1	72991	(000000-	) Tank, Detergent	1
2	86636	(000000-	) Cover Lid	1
▽ 3	24358	(000000-	) Cap Tank	1
▲ 4	1031699	(000000-	) Gasket, .19, 4.05id 5.29od [Buna]	1
5	73260	(000000-	) Pump, Detergent Metering (See Breakdowns)	1
6	72990	(000000-	) Bracket, Metering Pump	1
7	22787	(000000-	) Hose, Vinyl, Cl Nyre .38ldx28L	1
8	20944	(000000-	) Grommet, Detergent Tank	1
9	20951	(000000-	) Fitting-Barb,90Deg,3/8 Id Hose	1
10	22786	(000000-	) Hose, Vinyl, Cl Nyre .38ldx21L	1
11	43844	(000000-	) Clamp-Wormdrive, 0.25- 0.62D	4
12	20950	(000000-	) Fitting-Barb, Strt 3/8 Id Hose	1
13	20952	(000000-	) Screen, Pump, Detergent	1
14	84084	(000000-013311	) Hose, Vinyl Clr.38ld X 80.0Lg	1
15	72989	(000000-	) Bracket, Detergent Tank	1
16	57803	(000000-	) Breaker-Circuit, 15A Resetable	1
17	57751	(000000-	) Boot,Circuit Breaker	1
18	10632-18	(000000-013311	) Grommet, Rbr, 0.69ld	1
19	22787	(013312-	) Hose, Vinyl, Cl Nyre .38ldx28L	1
20	49266	(013312-	) Tie, Cable, Nyl, 07.3l .19w 1.8 Max D	1

Fig. 4 - Light Kit, Signal

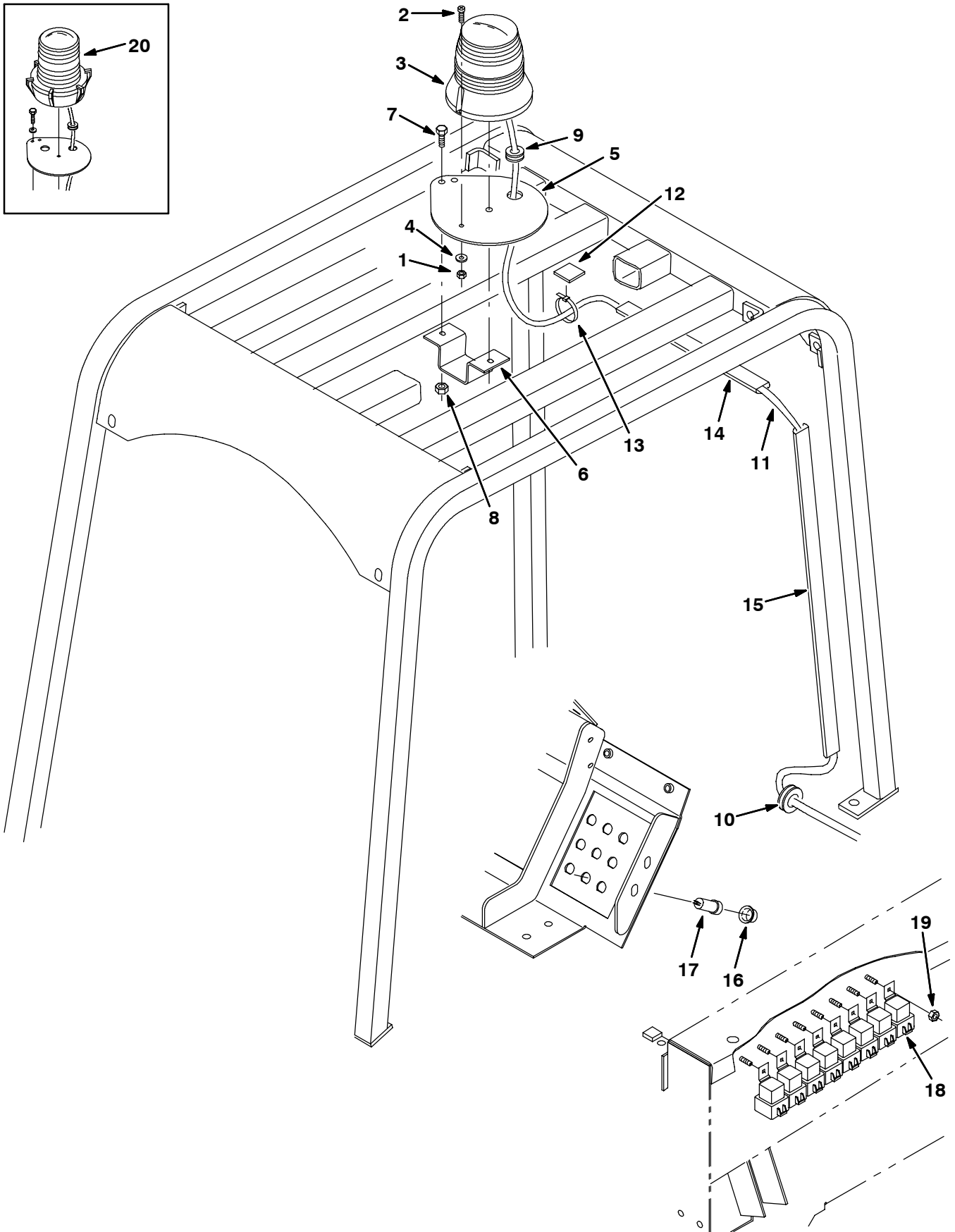




**Fig. 4 - Light Kit, Signal**

	<b>Ref.</b>	<b>Part No.</b>	<b>Serial Number</b>	<b>Description</b>	<b>Qty.</b>
▽		73455	(000000-	) Light Kit Signal	1
▲▽	1	60751	(000000-	) Signal Turn	1
▲▲		48570	(000000-	) Bulb, 12V .1A 01Cp #53	1
▲	2	24576-1	(000000-	) Bracket, Flasher	1
▲	3	31922	(000000-	) Flasher Heavy Duty	1
▲	4	73440	(000000-	) Harness, Turn Signal	1
▲	5	49266	(000000-	) Tie, Cable 1.75D Max 7.50Lg	6
▲	6	60284	(000000-	) Harness, Turn Signal	1
▲▽	7	34848	(000000-	) Light Assy Mark/Yel 12V- . A	2
▲▲		87948	(000000-	) Bulb, 12V .27A 2Cp #194	1
▲	8	72178	(000000-	) Bracket, Light, Sbdc	2
▲	9	40678	(000000-	) Clamp,Cable .44D .62Wide	1
▲	10	86332	(000000-	) Duct, Vinyl .40X.75X26.0 .25D	2
▲	11	59962	(000000-	) Switch, Roller	1
▲	12	73425	(000000-	) Bracket, Switch	1
▲	13	78935	(000000-	) Bracket	1

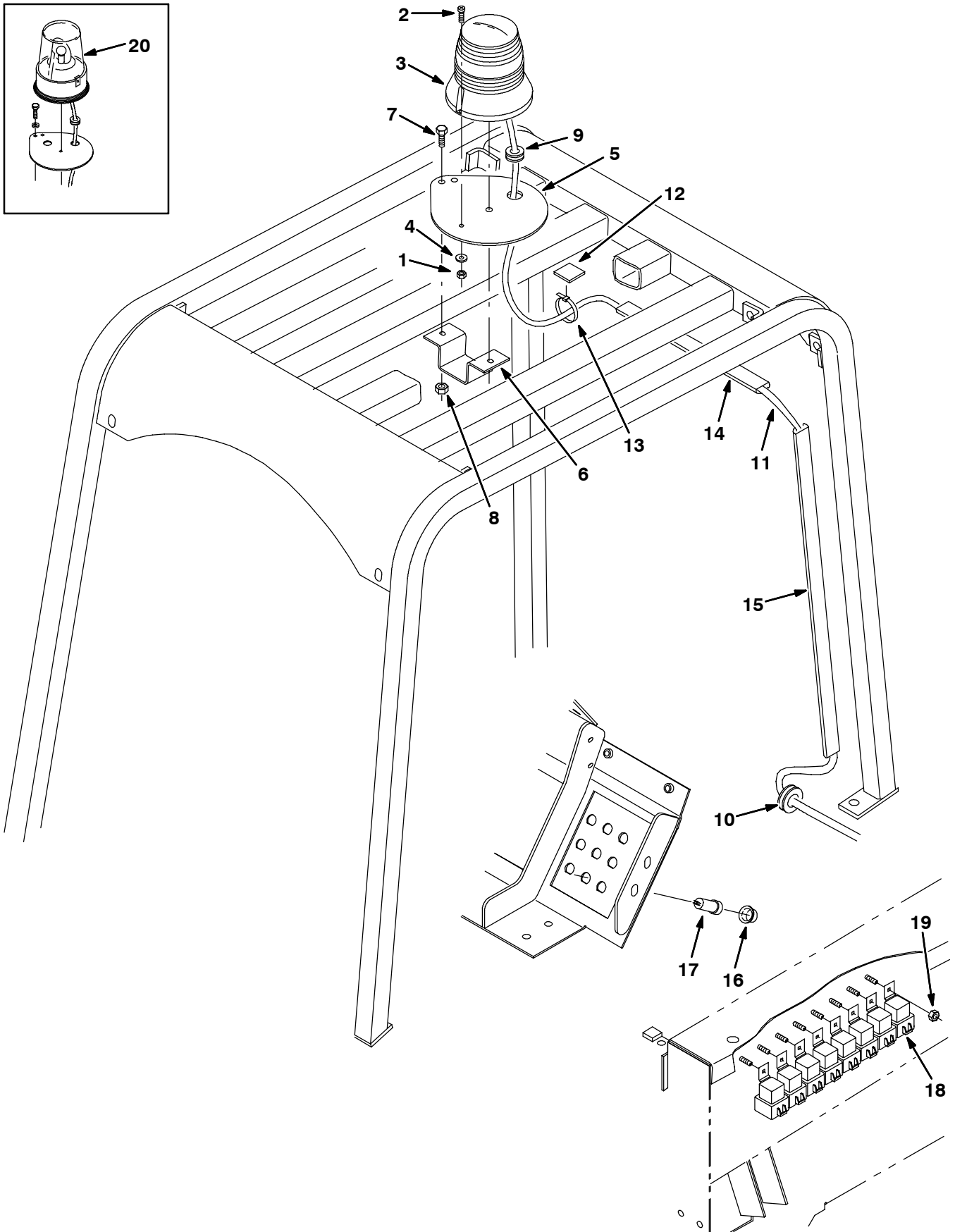
Fig. 5 - Light Kit, Flashing Overhead Guard



**Fig. 5 - Light Kit, Flashing Overhead Guard**

Ref.	Part No.	Serial Number	Description	Qty.
▽	73457	(000000-	) Light Kit, Strobe, Ohg, Ci [8400/10]	1
▲	1 06549	(000000-	) Nut, Hex, Lock, M5 X 0.8, NI	2
▲	2 09244	(000000-	) Screw, Hex, M5 X 0.8 X 16, 8.8	2
▲▽	3 1017250	(014206-	) Lamp Strobe, Amb [12-48 Vdc]	1
▲▲	9000879	(014206-	) Lens, Lamp, Amb, Strobe/Flasher	1
▲▲	9000846	(014206-	) Lamp, Bulb, Lamp, Strobe	1
▲	29192	(014206-	) Terminal, Ring, .25stud 16-14ga, Ins	1
▲	55272	(014206-	) Terminal, Bullet, Mal, .157d, 12ga	1
▲	4 19066	(000000-	) Washer, Flat, #10	2
▲	5 57220	(000000-	) Plate, Mtg, Light	1
▲	6 59447	(000000-	) Bracket, Mtg, Light, Ohg	1
▲	7 06942	(000000-	) Screw, Hex, M6 X 1.0 X 16, 8.8	1
▲	8 07790	(000000-	) Nut, Hex, Flng, M6 X 1.0	1
▲	9 10632-9	(000000-	) Grommet, Rbr, 0.63id, F/0.8h, .12 Matl	1
▲	10 10632-18	(000000-	) Grommet, Rbr, 0.69id, F/0.1h, .25 Matl	1
▲	11 60288	(000000-	) Harness, Light, Revl, Ohg [355]	1
▲	12 55248	(000000-	) Mount, Cable Tie	10
▲	13 49266	(000000-	) Tie, Cable, Nyl, 07.3l .19w 1.8 Max D	16
▲	14 86330	(000000-	) Duct, Vyl, 0.40 X 0.75 .25d 10.0l	2
▲	15 78732	(000000-	) Duct, Vyl, 0.40 X 0.75 .25d 19.0l	1
▲	72114	(000000-	) Duct, Vyl, 0.40 X 0.75 .25d 06.0l	1
▲	16 57751	(000000-	) Boot, Dome, .72id .72l, Clear	1
▲	17 57803	(000000-	) Circuitbreaker, 15.0a [Resetable]	1
▲	18 56186	(000000-	) Relay, 12vdc, 40a, Spdt N/O	1
▲	19 08708	(000000-	) Nut, Hex, Lock, M6 X 1.0, NI	1
▽	20 82063	(000000-014205 )	Light, Flsh, 12vdc, Amb, Rwk 82198	1
▲	58520	(000000-014205 )	Lens, Amb, Flsh Light [Fr207]	1
▲	45779	(000000-014205 )	Lamp, 12vdc, 2.1a, 32cp [#1156]	1
	58518	(000000-014205 )	Lens, Red, Flsh Light [Fr207]	1
	58519	(000000-014205 )	Lens, Blu, Flsh Light [Fr207]	1

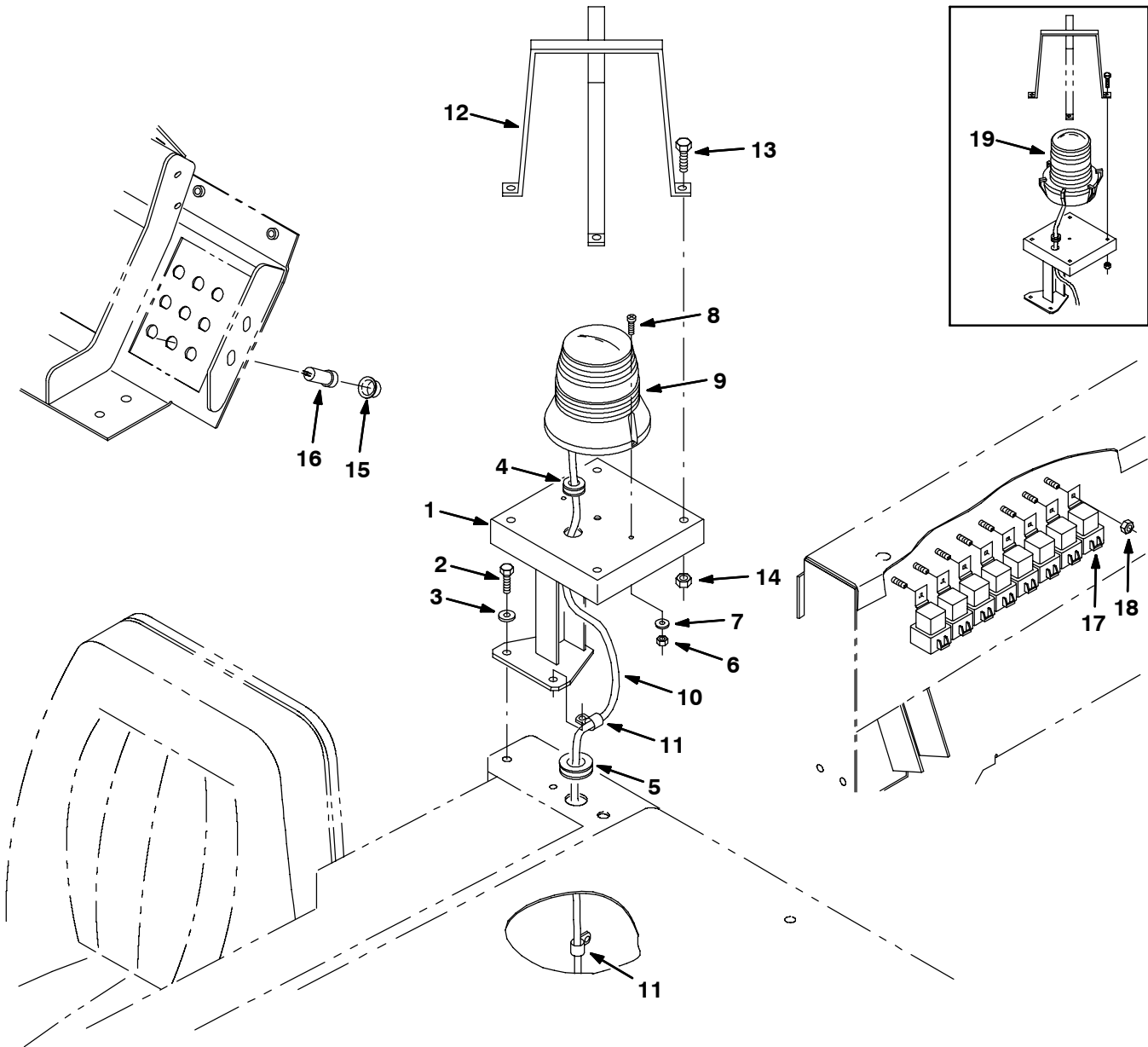
Fig. 6 - Light Kit, Revolving Overhead Guard



**Fig. 6 - Light Kit, Revolving Overhead Guard**

	<b>Ref.</b>	<b>Part No.</b>	<b>Serial Number</b>	<b>Description</b>	<b>Qty.</b>
▽		73457	(000000-	) Light Kit, Strobe, Ohg, Ci [8400/10]	1
▲	1	06549	(000000-	) Nut, Hex, Lock, M5 X 0.8, NI	2
▲	2	09244	(000000-	) Screw, Hex, M5 X 0.8 X 16, 8.8	2
▲▽	3	1017250	(014206-	) Lamp Strobe, Amb [12-48 Vdc]	1
▲▲		9000879	(014206-	) Lens, Lamp, Amb, Strobe/Flasher	1
▲▲		9000846	(014206-	) Lamp, Bulb, Lamp, Strobe	1
▲		29192	(014206-	) Terminal, Ring, .25stud 16-14ga, Ins	1
▲		55272	(014206-	) Terminal, Bullet, Mal, .157d, 12ga	1
▲	4	19066	(000000-	) Washer, Flat, #10	2
▲	5	57220	(000000-	) Plate, Mtg, Light	1
▲	6	59447	(000000-	) Bracket, Mtg, Light, Ohg	1
▲	7	06942	(000000-	) Screw, Hex, M6 X 1.0 X 16, 8.8	1
▲	8	07790	(000000-	) Nut, Hex, Flng, M6 X 1.0	1
▲	9	10632-9	(000000-	) Grommet, Rbr, 0.63id, F/0.8h, .12 Matl	1
▲	10	10632-18	(000000-	) Grommet, Rbr, 0.69id, F/0.1h, .25 Matl	1
▲	11	60288	(000000-	) Harness, Light, Revl, Ohg [355l]	1
▲	12	55248	(000000-	) Mount, Cable Tie	10
▲	13	49266	(000000-	) Tie, Cable, Nyl, 07.3l .19w 1.8 Max D	16
▲	14	86330	(000000-	) Duct, Vyl, 0.40 X 0.75 .25d 10.0l	2
▲	15	78732	(000000-	) Duct, Vyl, 0.40 X 0.75 .25d 19.0l	1
▲		72114	(000000-	) Duct, Vyl, 0.40 X 0.75 .25d 06.0l	1
▲	16	57751	(000000-	) Boot, Dome, .72id .72l, Clear	1
▲	17	57803	(000000-	) Circuitbreaker, 15.0a [Resetable]	1
▲	18	56186	(000000-	) Relay, 12vdc, 40a, Spdt N/O	1
▲	19	08708	(000000-	) Nut, Hex, Lock, M6 X 1.0, NI	1
▽	20	82200	(000000-014205	) Light, Flsh, 12vdc, Amb, Rwk	1
▲		44681-1	(000000-014205	) Lens, Light, Revl, Amb	1
▲		45779	(000000-014205	) Lamp, 12vdc, 2.1a, 32cp [#1156]	1
		44681	(000000-014205	) Lens, Light, Revl, Red	1
		44681-2	(000000-014205	) Lens, Light, Revl, Blu	1

Fig. 7 - Light Kit, Flashing LRC



**Fig. 7 - Light Kit, Flashing LRC**

	<b>Ref.</b>	<b>Part No.</b>	<b>Serial Number</b>	<b>Description</b>	<b>Qty.</b>
▽		73461	(000000-	) Light Kit, Strobe, Ped, Ci [8400/10]	1
▲	1	73405	(000000-	) Bracket, Wldt, Light, Rotating	1
▲	2	16931	(000000-	) Screw, Hex, M8 X 1.25 X 20, 8.8	2
▲	3	32491	(000000-	) Washer, Flat, 0.31, Std	2
▲	4	10632-9	(000000-	) Grommet, Rbr, 0.63id, F/0.8h, .12 Matl	2
▲	5	10632-18	(000000-	) Grommet, Rbr, 0.69id, F/0.1h, .25 Matl	1
▲	6	06549	(000000-	) Nut, Hex, Lock, M5 X 0.8, NI	2
▲	7	08793	(14206-	) Washer, Flat, .20b .50d .06, Alm, Blind	2
▲	8	09244	(14206-	) Screw, Hex, M5 X 0.8 X 16, 8.8	2
▲▽	9	1017250	(14206-	) Lamp Strobe, Amb [12-48 Vdc]	1
▲▲		9000879	(14206-	) Lens, Lamp, Amb, Strobe/Flasher	1
▲▲		9000845	(14206-	) Lamp, Bulb, Lamp, Flsh	1
▲		55272	(14206-	) Terminal, Bullet, Mal, .157d, 12ga	1
▲		29192	(14206-	) Terminal, Ring, .25stud 16-14ga, Ins	1
▲	10	71543	(000000-	) Harness, Light, Flsh, Revl, [ 355l]	1
▲	11	46236	(000000-	) Clamp, Cable, Stl, 0.25d X 0.56w, 1h	2
▲	12	45272	(000000-	) Guard Wldt, Light, Revl/Flsh	1
▲	13	06943	(000000-	) Screw, Hex, M6 X 1.0 X 20, 8.8	4
▲	14	08708	(000000-	) Nut, Hex, Lock, M6 X 1.0, NI	4
▲	15	57751	(000000-	) Boot, Dome, .72id .72l, Clear	1
▲	16	57803	(000000-	) Circuitbreaker, 15.0a [Resetable]	1
▲	17	56186	(000000-	) Relay, 12vdc, 40a, Spdt N/O	1
▲	18	08708	(000000-	) Nut, Hex, Lock, M6 X 1.0, NI	1
▽	19	82063	(000000-14205	) Light, Flsh, 12vdc, Amb, Rwk 82198	1
▲		58520	(000000-14205	) Lens, Amb, Flsh Light [Fr207]	1
▲		45779	(000000-14205	) Lamp, 12vdc, 2.1a, 32cp [#1156]	1
		58518	(000000-14205	) Lens, Red, Flsh Light [Fr207]	1
		58519	(000000-14205	) Lens, Blu, Flsh Light [Fr207]	1

Fig. 8 - Light Kit, Revolving LRC

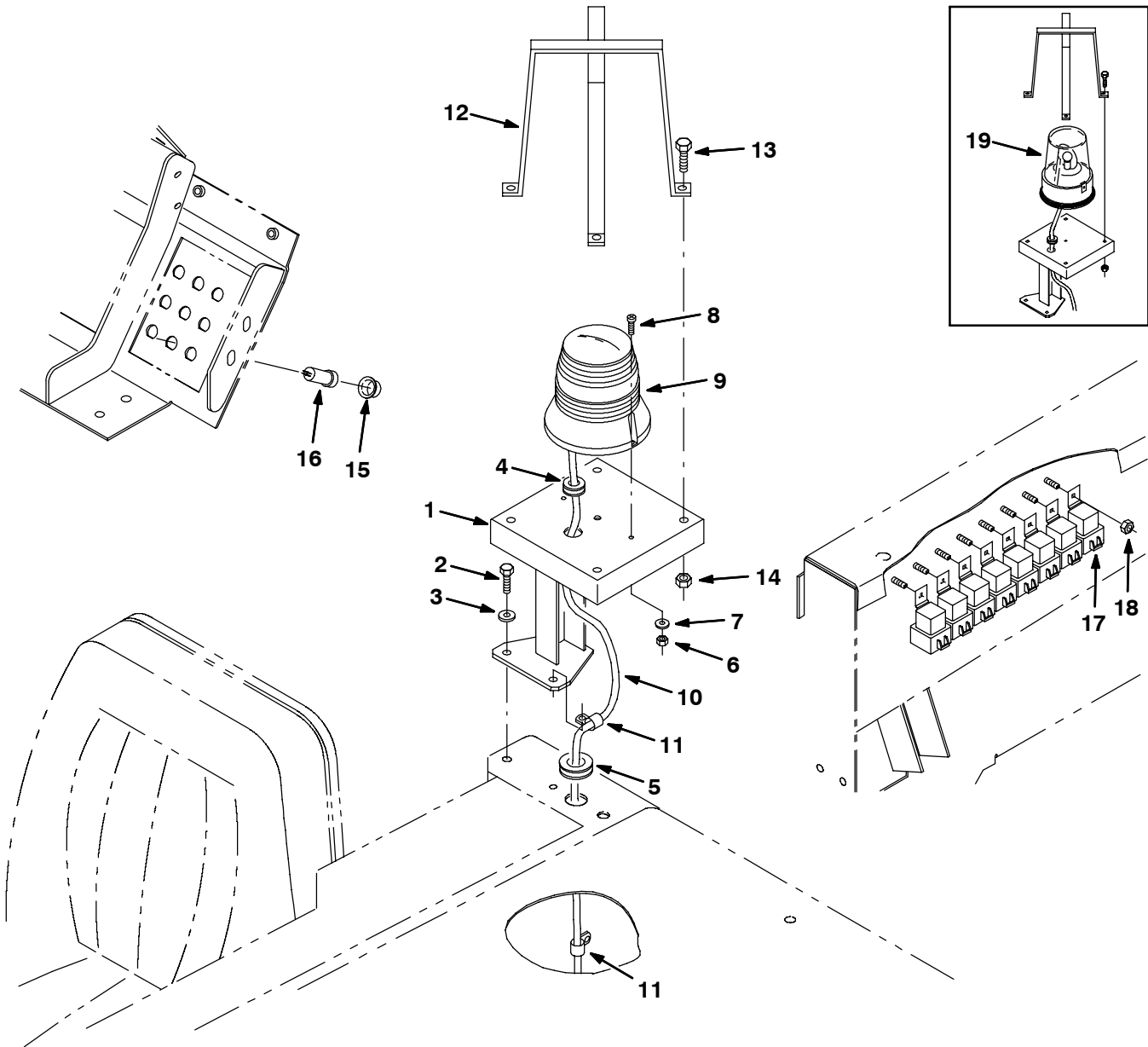
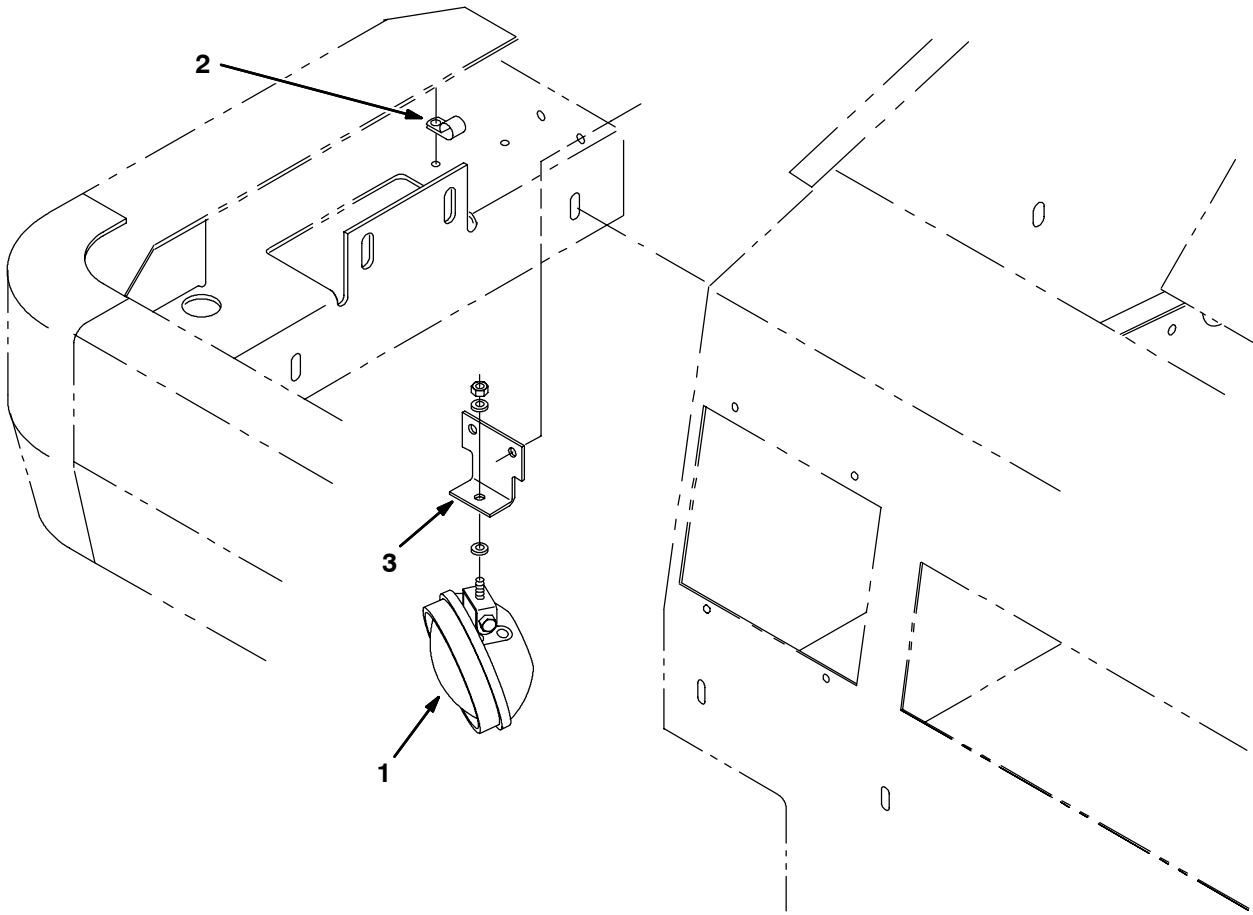




Fig. 8 - Light Kit, Revolving LRC

Ref.	Part No.	Serial Number	Description	Qty.
▽	73463	(000000-	) Light Kit, Flsh, Ped, Ci [8400/10]	1
▲	1 73405	(000000-	) Bracket, Wldt, Light, Rotating	1
▲	2 16931	(000000-	) Screw, Hex, M8 X 1.25 X 20, 8.8	2
▲	3 32491	(000000-	) Washer, Flat, 0.31, Std	2
▲	4 10632-9	(000000-	) Grommet, Rbr, 0.63id, F/0.8h, .12 Matl	2
▲	5 10632-18	(000000-	) Grommet, Rbr, 0.69id, F/0.1h, .25 Matl	1
▲	6 06549	(000000-	) Nut, Hex, Lock, M5 X 0.8, NI	2
▲	7 08793	(14206-	) Washer, Flat, .20b .50d .06, Alm, Blind	2
▲	8 09244	(14206-	) Screw, Hex, M5 X 0.8 X 16, 8.8	2
▲▽	9 1017250	(14206-	) Lamp Strobe, Amb [12-48 Vdc]	1
▲▲	9000879	(14206-	) Lens, Lamp, Amb, Strobe/Flasher	1
▲▲	9000845	(14206-	) Lamp, Bulb, Lamp, Flsh	1
▲	55272	(14206-	) Terminal, Bullet, Mal, .157d, 12ga	1
▲	29192	(14206-	) Terminal, Ring, .25stud 16-14ga, Ins	1
▲	10 71543	(000000-	) Harness, Light, Flsh, Revl, [ 355l]	1
▲	11 46236	(000000-	) Clamp, Cable, Stl, 0.25d X 0.56w, 1h	2
▲	12 45272	(000000-	) Guard Wldt, Light, Revl/Flsh	1
▲	13 06943	(000000-	) Screw, Hex, M6 X 1.0 X 20, 8.8	4
▲	14 08708	(000000-	) Nut, Hex, Lock, M6 X 1.0, NI	4
▲	15 57751	(000000-	) Boot, Dome, .72id .72l, Clear	1
▲	16 57803	(000000-	) Circuitbreaker, 15.0a [Resetable]	1
▲	17 56186	(000000-	) Relay, 12vdc, 40a, Spdt N/O	1
▲	18 08708	(000000-	) Nut, Hex, Lock, M6 X 1.0, NI	1
▽	19 82200	(000000-14205	) Light, Flsh, 12vdc, Amb, Rwk	1
▲	44681-1	(000000-14205	) Lens, Light, Revl, Amb	1
▲	45779	(000000-14205	) Lamp, 12vdc, 2.1a, 32cp [#1156]	1
	44681	(000000-14205	) Lens, Light, Revl, Red	1
	44681-2	(000000-14205	) Lens, Light, Revl, Blu	1

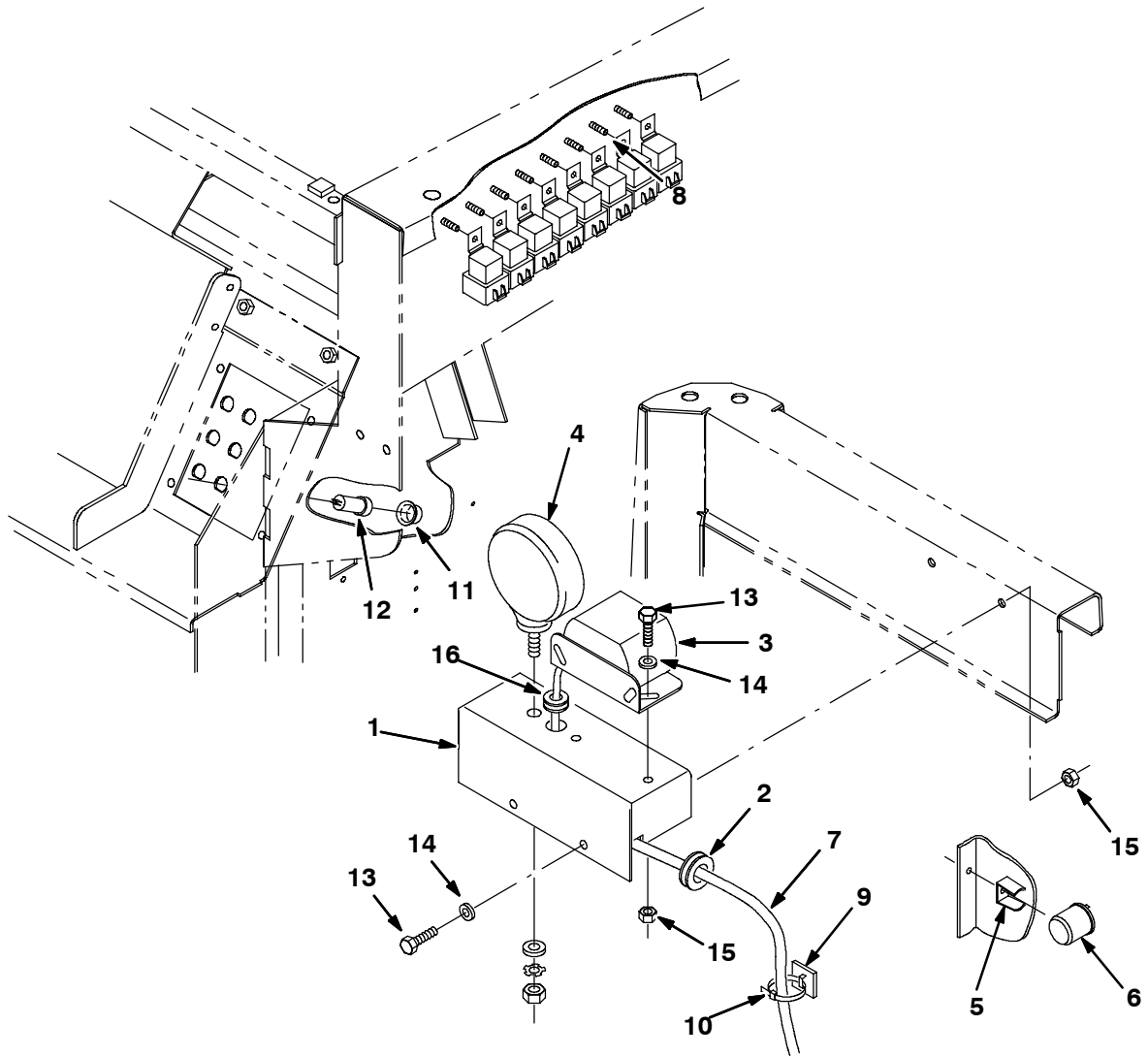
**Fig. 9 - Light Kit, Side Brush**



09688 - ALL

Ref.	Part No.	Serial Number	Description	Qty.
▽	73470	(000000-	) Light Kit, Side Brush	1
▲▽	1 73403	(000000-	) Light Assy Work/Clr 12V- . A	1
▲▲	51570	(000000-	) Bulb GE	1
▲	2 40678	(000000-	) Clamp, Cable .44D .62Wide	1
▲	3 79397	(000000-	) Bracket, Mounting	1

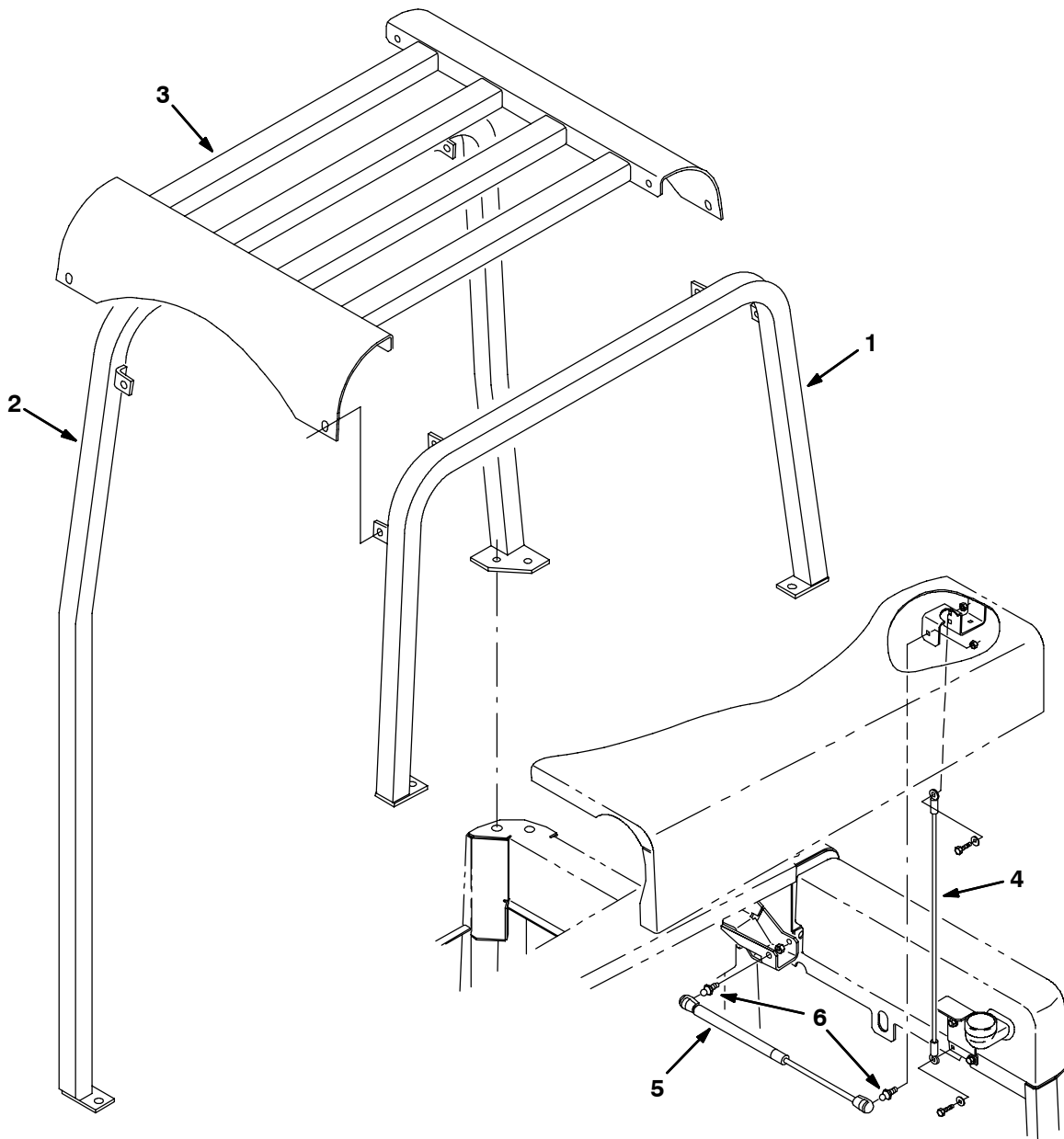
Fig. 10 - Back-Up Alarm Kit



11185 - ALL

Ref.	Part No.	Serial Number	Description	Qty.
▽	84073	(000000-	) Alarm Kit, Backup	1
▲	1 73421	(000000-	) Bracket, Alarm Backup	1
▲	2 10632-18	(000000-	) Grommet, Rbr, 0.69Id, For.25Matl	1
▲	3 61920	(000000-	) Horn, Back-Up Alarm	1
▲▽	4 36438	(000000-	) Headlight Assy, 210G	1
▲▲	36439	(000000-	) Bulb, 12V .9A 15	1
▲	5 24576-1	(000000-	) Bracket, Flasher	1
▲	6 24576	(000000-	) Flasher, 12V. Ideal	1
▲	7 71544	(000000-	) Harness, Alarm, Backup	1
▲	8 56186	(000000-	) Relay, Shrouded, 12 VDC	1
▲	9 55248	(000000-	) Cabletie Mount, Adhesive	2
▲	10 49266	(000000-	) Tie, Cable 1.75D Max 7.50Lg	5
▲	11 57751	(000000-	) Boot, Circuit Breaker	1
▲	12 57803	(000000-	) Breaker-Circuit, 15A Resetable	1
▲	13 16931	(000000-	) Screw, Hex, M8 X 1.25 X 20, 8.8	4
▲	14 32491	(000000-	) Washer, Flat, 0.31, Std	4
▲	15 07791	(000000-	) Nut, Hex, Flng, M8 X 1.25	4
▲	16 10632-9	(000000-	) Grommet, Rbr, 0.63id, F/0.8h, .12 Matl	1

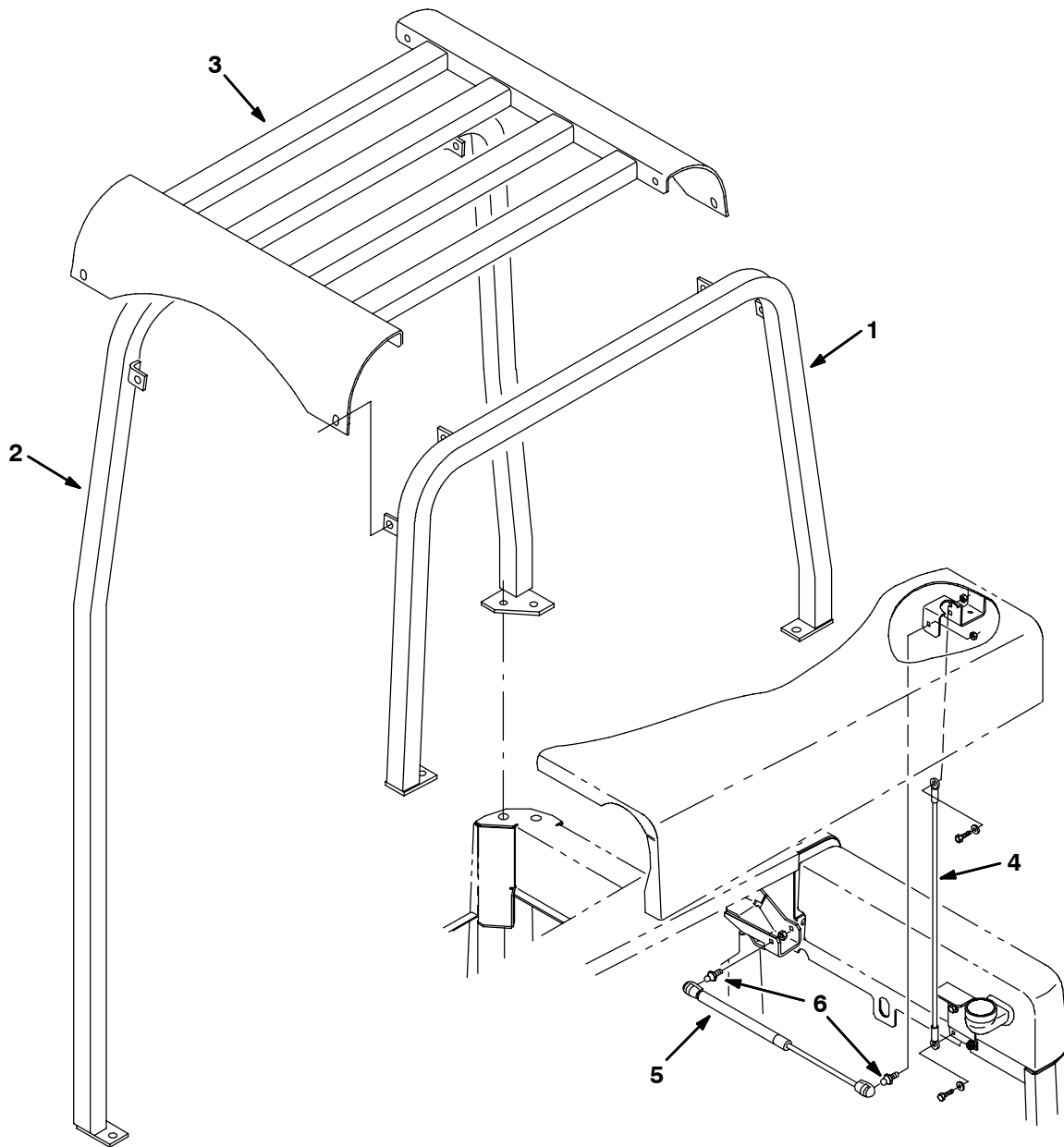
**Fig. 11 - Overhead Guard Kit**



11187 - 8410, NA

Ref.	Part No.	Serial Number	Description	Qty.
▽	83898	(000000-	) Guard Kit, Ohg	1
▲	1 73404	(000000-	) Tube, Leg, Ohg, Lh	1
▲	2 73408	(000000-	) Tube, Leg, Ohg, Rh	1
▲	3 73412	(000000-	) Guard Wldt, Oh, Top	1
▲	4 36192	(000000-	) Lanyard Assy	1
▲	5 84018	(000000-	) Spring, Gas 90Lb 5.98 Stroke	1
▲	6 58494	(000000-	) Stud, Ball, Gas Spring	2

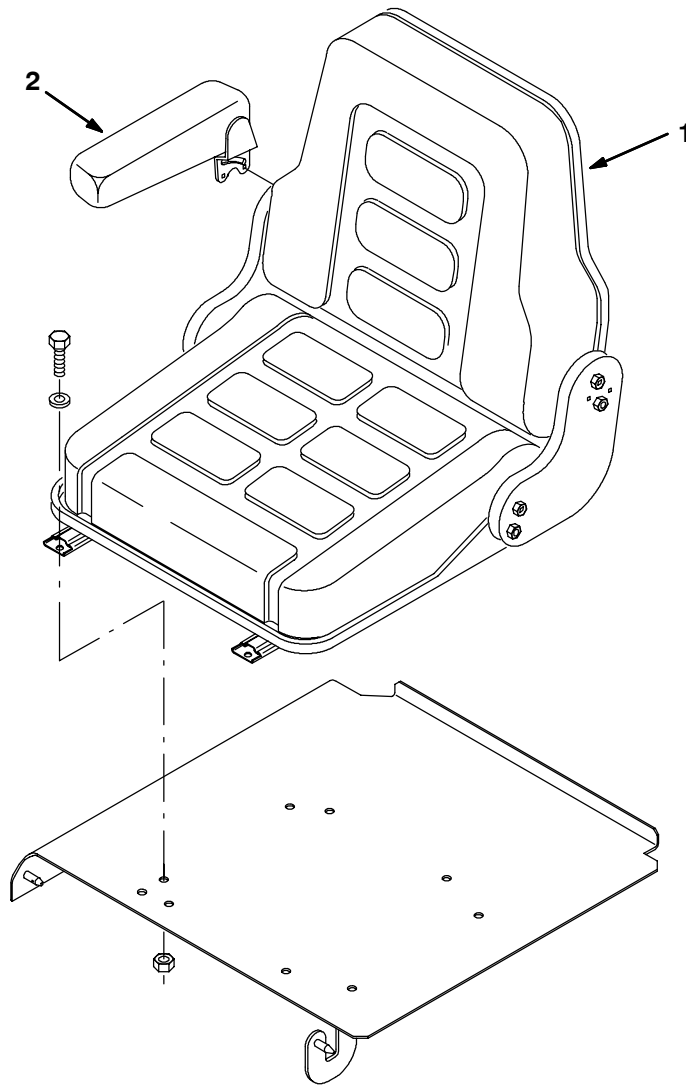
Fig. 12 - Overhead Guard Kit, 87"



11195 - 8410, NA

Ref.	Part No.	Serial Number	Description	Qty.
▽	84076	(000000-	) Guard Kit, Overhead, 87 Height	1
▲	1 22911	(000000-	) Tube Wldt, Leg, Ohg	1
▲	2 22912	(000000-	) Tube Wldt, Leg, Ohg, Lh	1
▲	3 73412	(000000-	) Guard Wldt, Oh, Top	1
▲	4 36192	(000000-	) Lanyard Assy	1
▲	5 84018	(000000-	) Spring, Gas 90Lb 5.98 Stroke	1
▲	6 58494	(000000-	) Stud, Ball, Gas Spring	2

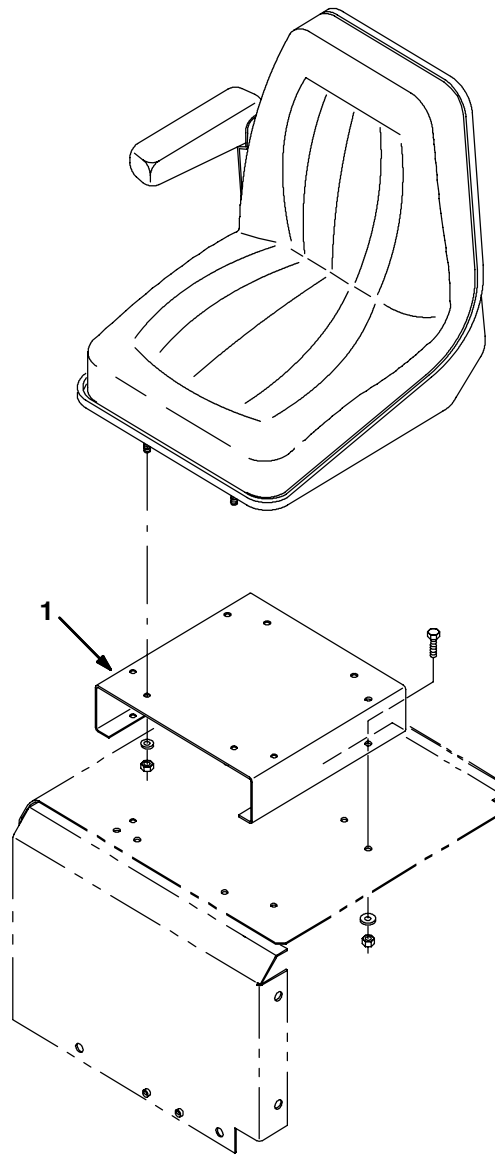
**Fig. 13 - Seat Kit**



09106 - ALL

	<b>Ref.</b>	<b>Part No.</b>	<b>Serial Number</b>	<b>Description</b>	<b>Qty.</b>
▽		78981	(000000-	) Seat Kit, Grammer 8400/8410	1
▲	1	53845	(000000-	) Seat, Grammer	1
▲	2	71477	(000000-	) Armrest Assy, Rh	1

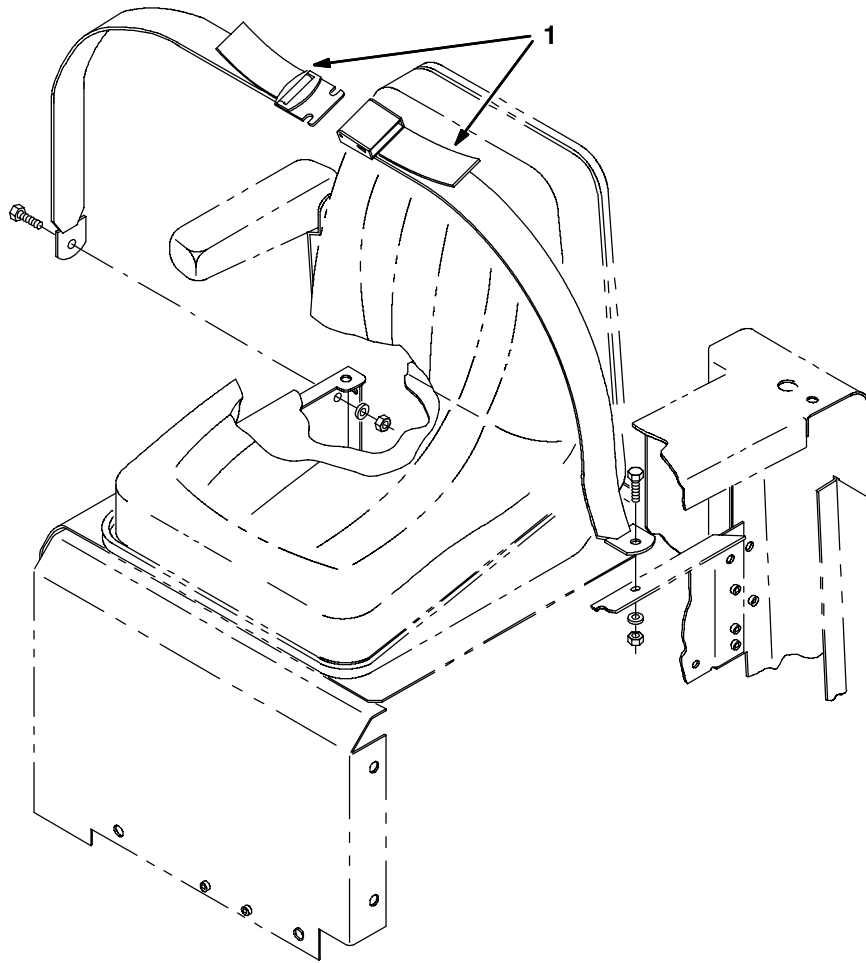
Fig. 14 - Seat Mounting Bracket Kit



10234 - ALL

	Ref.	Part No.	Serial Number	Description	Qty.
▽		10595	(000000-	) Bracket, Mounting, Seat Kit	1
▲	1	10581	(000000-	) Bracket, Mounting, Seat	1

**Fig. 15 - Seat Belt Kit**

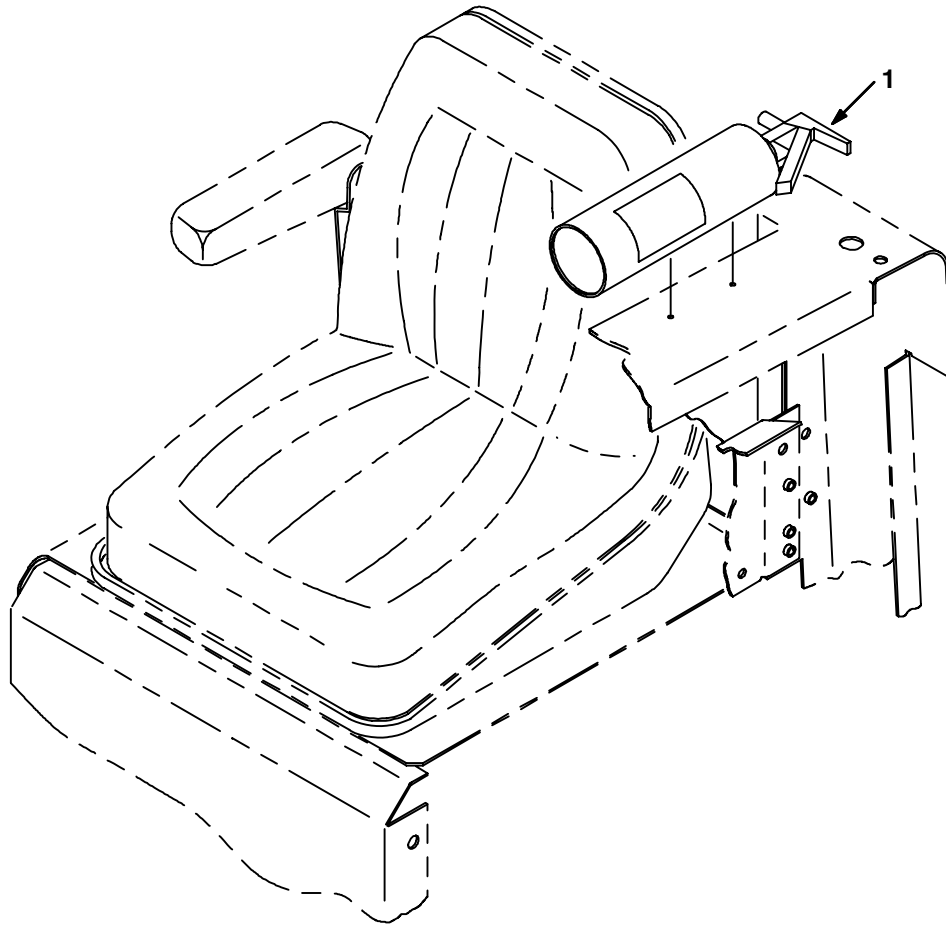


09108 - ALL

	<b>Ref.</b>	<b>Part No.</b>	<b>Serial Number</b>	<b>Description</b>	<b>Qty.</b>
▽		78985	(000000-	) Seat Belt Kit 8400/8410	1
▲	1	30533	(000000-	) Seat Belt	1



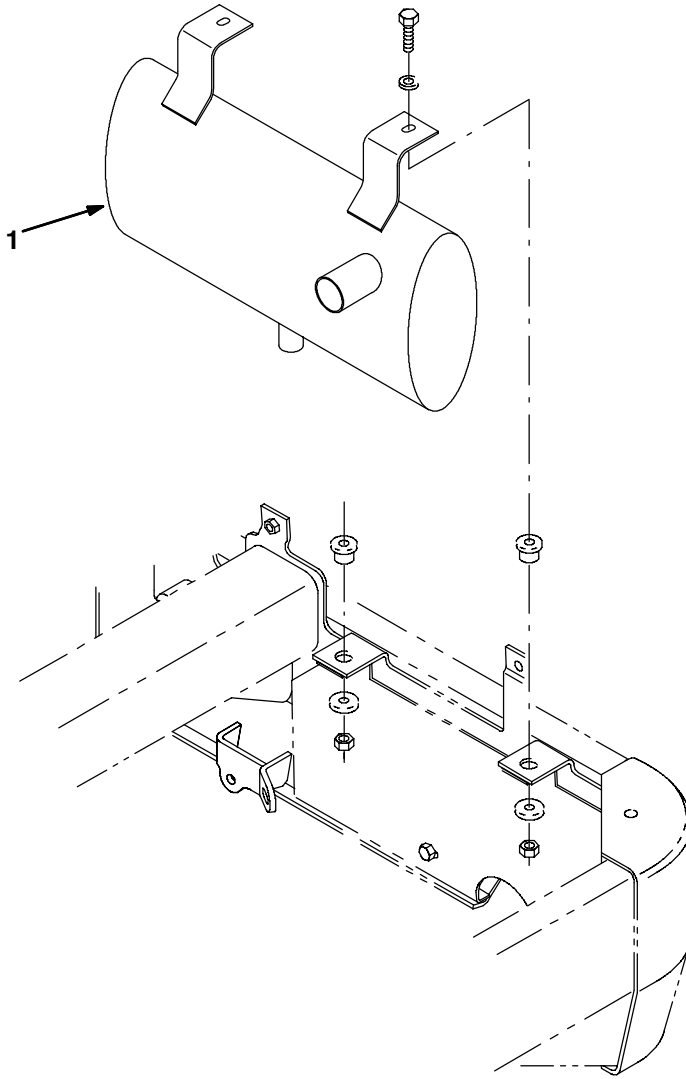
Fig. 16 - Fire Extinguisher Kit



09104 - ALL

Ref.	Part No.	Serial Number	Description	Qty.
▽	78987	(000000-	) Extinguisher Kit Fire 8400/8410	1
▲	1 25312	(000000-	) Extinguisher, Fire	1

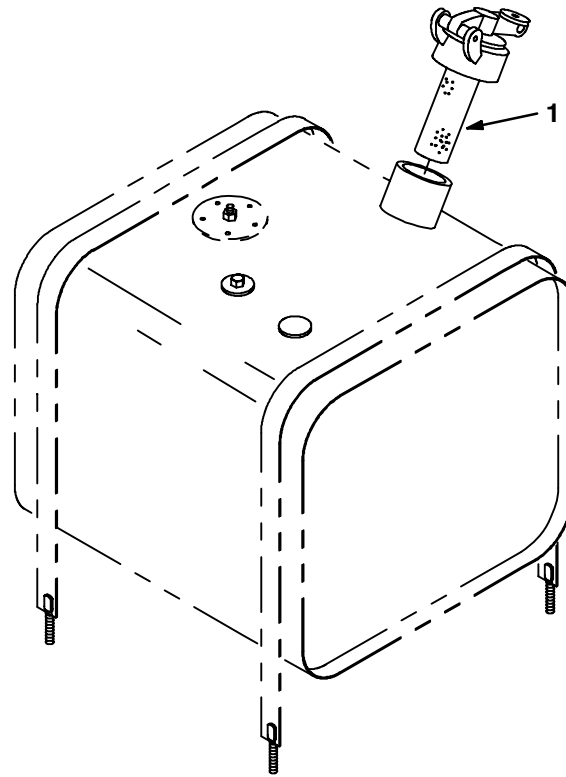
**Fig. 17 - Spark Arresting Muffler Group**



11199 - ALL

Ref.	Part No.	Serial Number	Description	Qty.
1	84007	(000000-	) Muffler, Spark Arresting	1

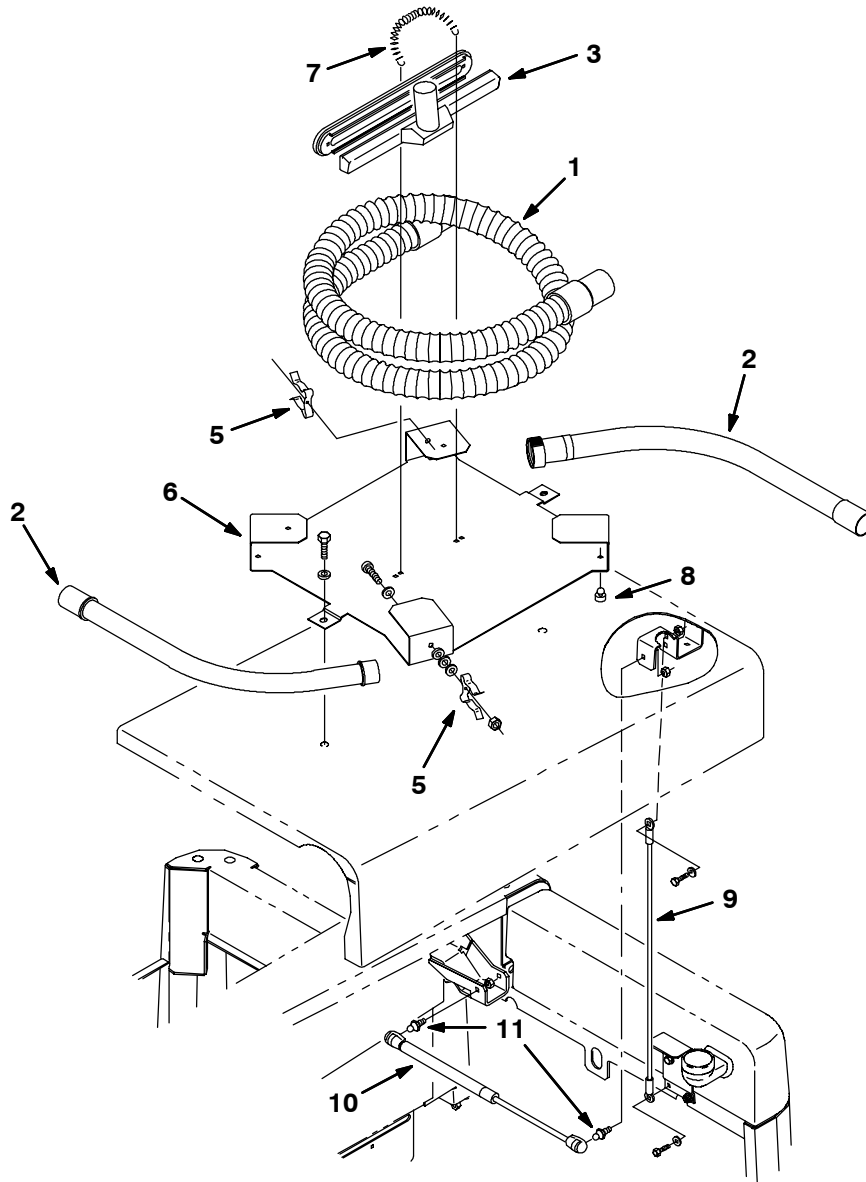
Fig. 18 - Protectoseal Fuel Tank Cap Group



07471 - ALL

Ref.	Part No.	Serial Number	Description	Qty.
1	02506-6	(000000-	) Gas Cap, Protectoseal	1

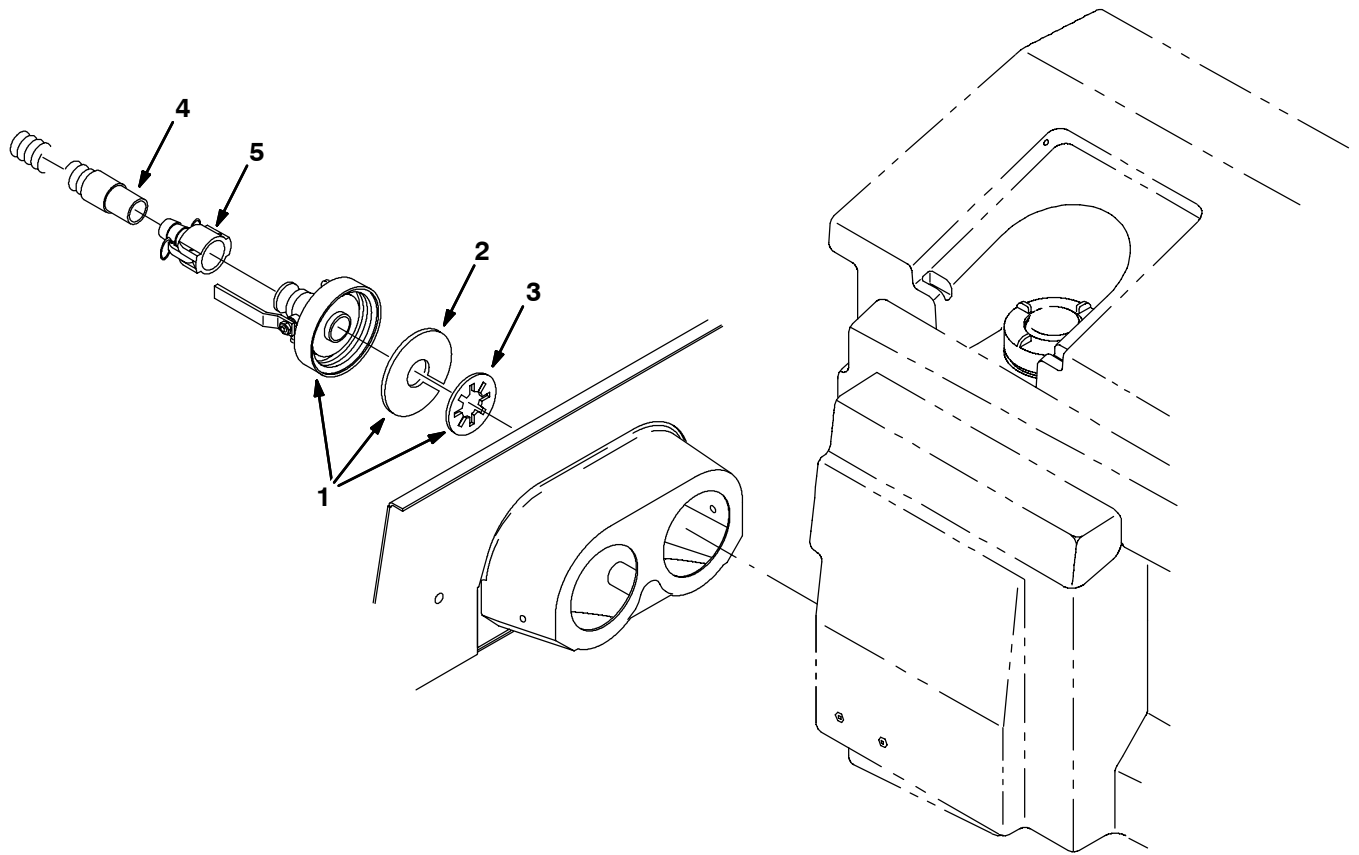
**Fig. 19 - Squeegee Wand Kit**



11193 - ALL

Ref.	Part No.	Serial Number	Description	Qty.
▽	84071	(000000-	) Squeegee Wand Kit 8410	1
▲	1 78808	(000000-	) Hose, Vacuum	1
▲	2 63448	(000000-	) Wand, Metal - 2PC	1
▲	3 63451	(000000-	) Nozzle, Plastic Wand 14.OLG	1
▲	4 63430	(000000-	) Shoe, Plastic-Squeegee 14IN	1
▲	5 67004	(000000-	) Clip-Finger Grip	4
▲	6 77322	(000000-	) Panel, MTG, Hose	1
▲	7 50304	(000000-	) Spring, EXT	1
▲	8 51787	(000000-	) Bumper, Rubber	4
▲	9 36192	(000000-	) Lanyard Assy	1
▲	10 84018	(000000-	) Spring, Gas 90Lb 5.98 Stroke	1
▲	11 58494	(000000-	) Stud, Ball, Gas Spring	2

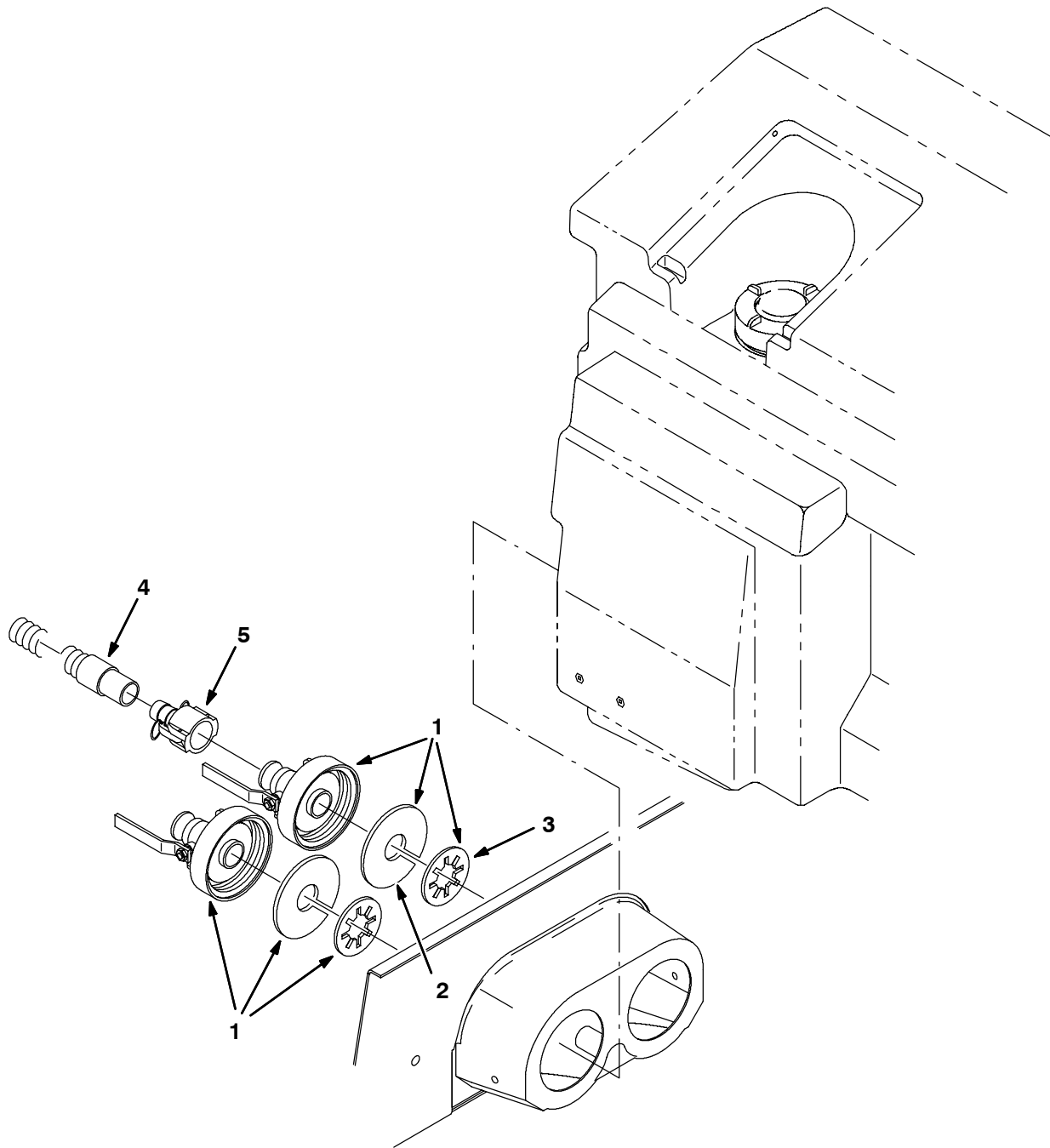
Fig. 20 - Positive Solution Control Drain System Kit Std



11189 - ALL

Ref.	Part No.	Serial Number	Description	Qty.
▽	48742	(000000-	) Pos Sol Control Drain Sys Kits	1
▲▽	1 48739	(000000-	) Cap Assy, Pos Drain	1
▲▲	23456	(000000-	) Cap, Drain	1
▲▲	375014	(000000-	) Kit, Valve Handle	1
▲▲	2 1031700	(000000-	) Gasket, 2.00id 5.38od .19 [Buna]	1
▲▲	3 20932	(000000-	) Washer, Poly	1
▲	4 75635AM	(000000-	) Hose Assy, W/1cuff, 1.5d 120l 1.5/	1
▲	5 48734	(000000-	) Coupler, Female X Hose Shank	1

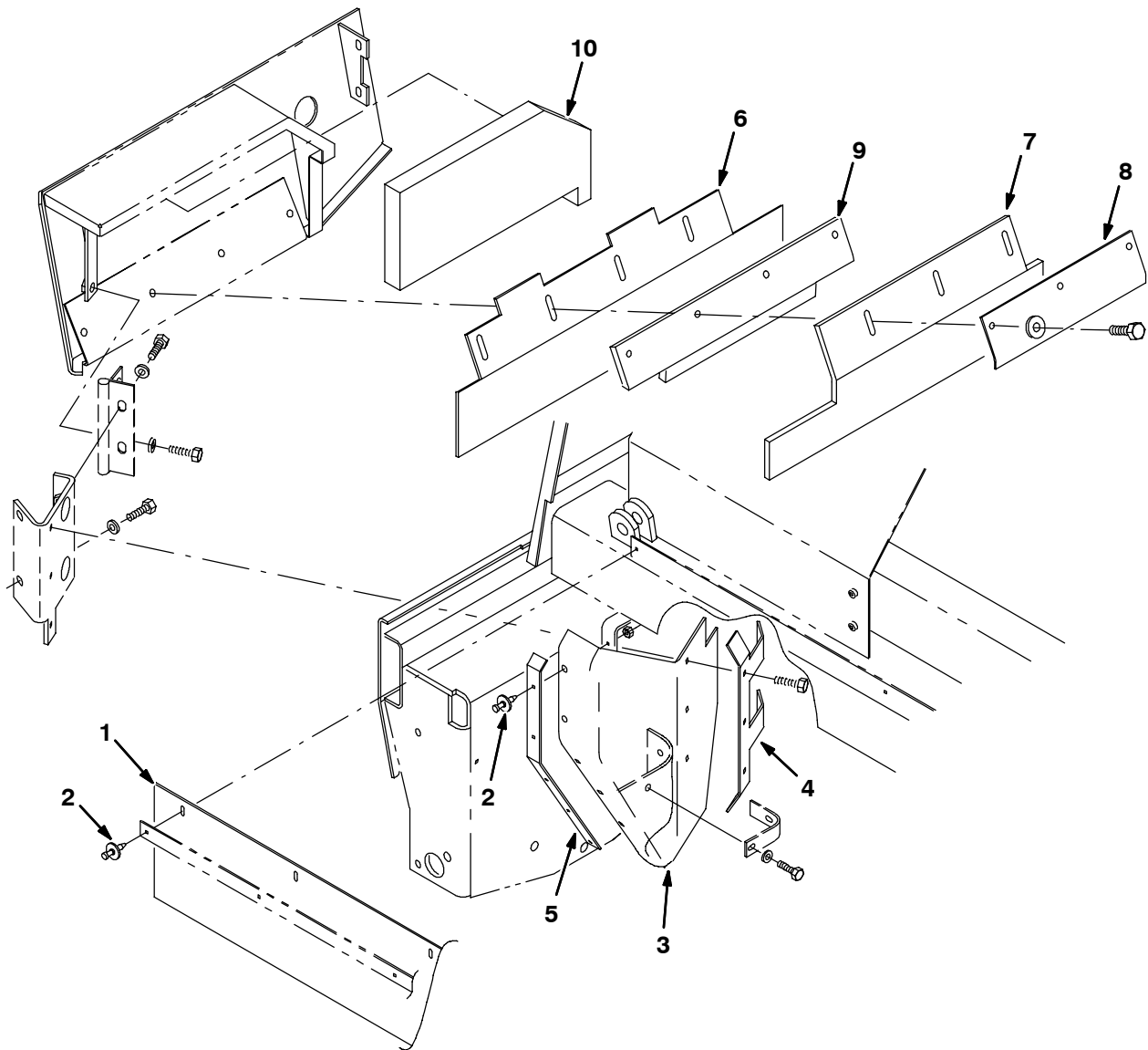
**Fig. 21 - Positive Solution Control Drain System Kit ES**



11191 - ALL

Ref.	Part No.	Serial Number	Description	Qty.
▽	48743	(000000-	) Pos Sol Ctrl Drain Sys Kit Es	1
▲▽	1 48739	(000000-	) Cap Assy, Pos Drain	2
▲▲	23456	(000000-	) Cap, Drain	1
▲▲	375014	(000000-	) Kit, Valve Handle	1
▲▲	2 1031700	(000000-	) Gasket, 2.00id 5.38od .19 [Buna]	1
▲▲	3 20932	(000000-	) Washer, Poly	1
▲	4 75635AM	(000000-	) Hose Assy, W/1cuff, 1.5d 120l 1.5/	1
▲	5 48734	(000000-	) Coupler, Female X Hose Shank	1

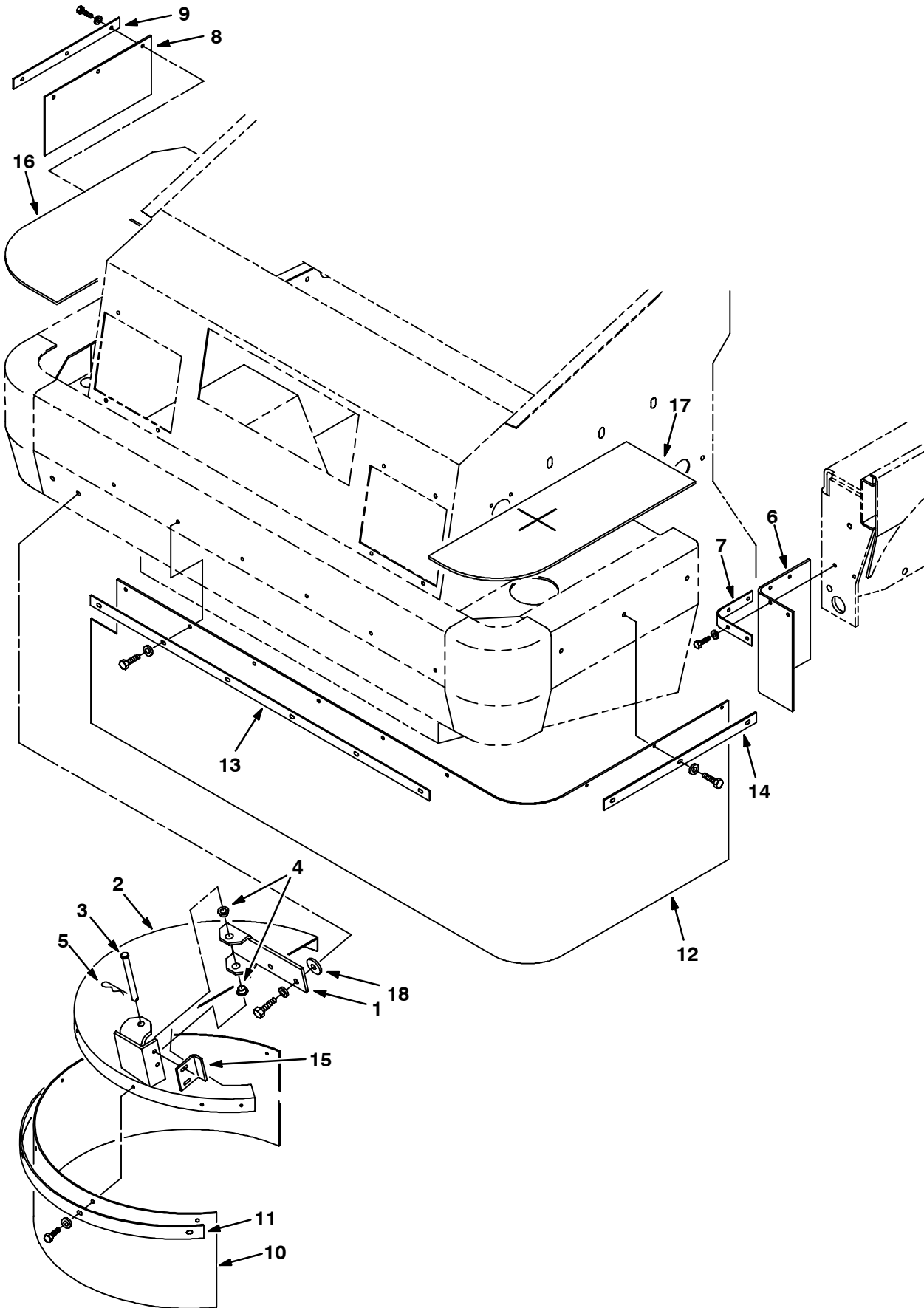
Fig. 22 - Vacuumized Skirt Kit, Main Brush



10193 - ALL

Ref.	Part No.	Serial Number	Description	Qty.
▽	70229	(000000-	) Vacuumized Skirt Kit, Main Bru	1
▲	1 56872	(000000-	) Skirt, Hopper, Top	1
▲	2 72968	(000000-	) Rivet, Plastic .250x.898	15
▲	3 70230	(000000-	) Skirt, Deflection, Vac Kit	2
▲	4 70227	(000000-	) Strap, Deflector, Rh	1
▲	70228	(000000-	) Strap, Deflector, Lh (Not Shown)	1
▲	5 56914	(000000-	) Strap	2
▲	6 70222	(000000-	) Skirt, Brush Door, Outer	2
▲	7 70223	(000000-	) Skirt, Brush Door, Inner	2
▲	8 70224	(000000-	) Strip, Retainer	2
▲	9 374568	(000000-	) Angle, Filler Plate	2
▲	10 70226	(000000-	) Seal, Foam, Door	2

Fig. 23 - Side Brush Dust Control Kit

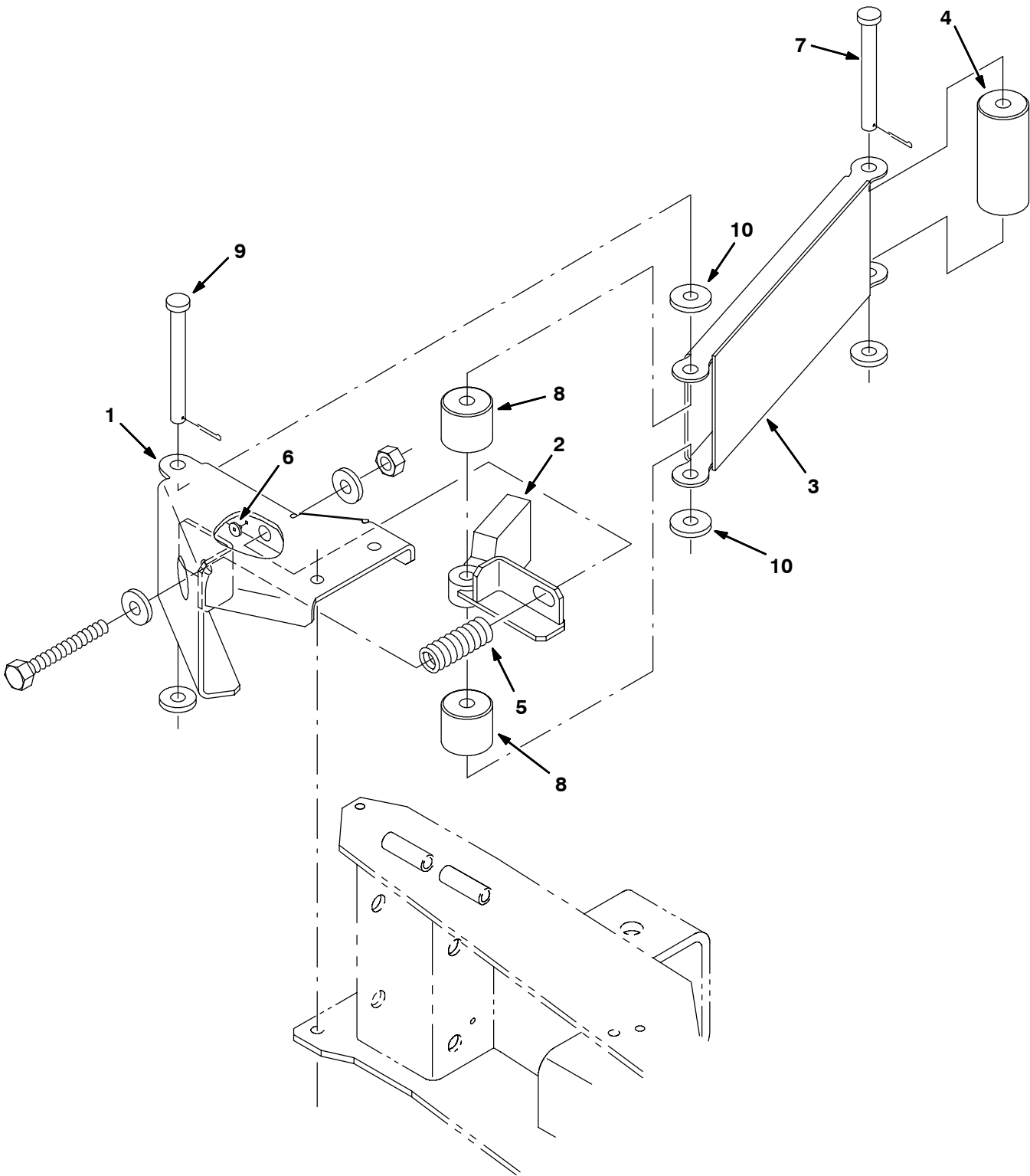




**Fig. 23 - Side Brush Dust Control Kit**

	<b>Ref.</b>	<b>Part No.</b>	<b>Serial Number</b>	<b>Description</b>	<b>Qty.</b>
▽		78904	(000000-	) Dust Cont Kit S Br 8400	1
▲	1	74383	(000000-	) Bracket, Sbdc	1
▲	2	74375	(000000-	) Cover, Sbdc	1
▲	3	51538	(000000-	) Pin,Clevis,0.50 Dia.X 5.00 Lg	1
▲	4	23274	(000000-	) Bshg,Flange,0.50Bx0.62Odx0.40L	2
▲	5	44906	(000000-	) Pin,Hair Cotter #Lhcot-2,Leitk	1
▲	6	66176	(000000-	) Skirt, Wheel Pocket, Sbdc	2
▲	7	66177	(000000-	) Plate, Retainer, Wheel Pocket	2
▲	8	53576	(000000-	) Skirt, Sbdc, Rh	1
▲	9	53610	(000000-	) Plate, Retainer, Sbdc, Rh	1
▲	10	66178	(000000-	) Skirt, Cover, Sbdc	1
▲	11	66179	(000000-	) Plate, Retainer, Cover, Sbdc	1
▲	12	74379	(000000-	) Skirt, Front, Sbdc	1
▲	13	74380	(000000-	) Plate, Reainer, Front, Sbdc	1
▲	14	74381	(000000-	) Plate, Retainer, Front,Lh Sbdc	1
▲	15	74382	(000000-	) Angle, Stop	1
▲	16	72086	(000000-	) Foam, Sbdc, Rh	1
▲	17	72087	(000000-	) Foam, Sbdc, Lh	1
▲	18	35843	(000000-	) Washer, .530B 1.50D .19Hr	2

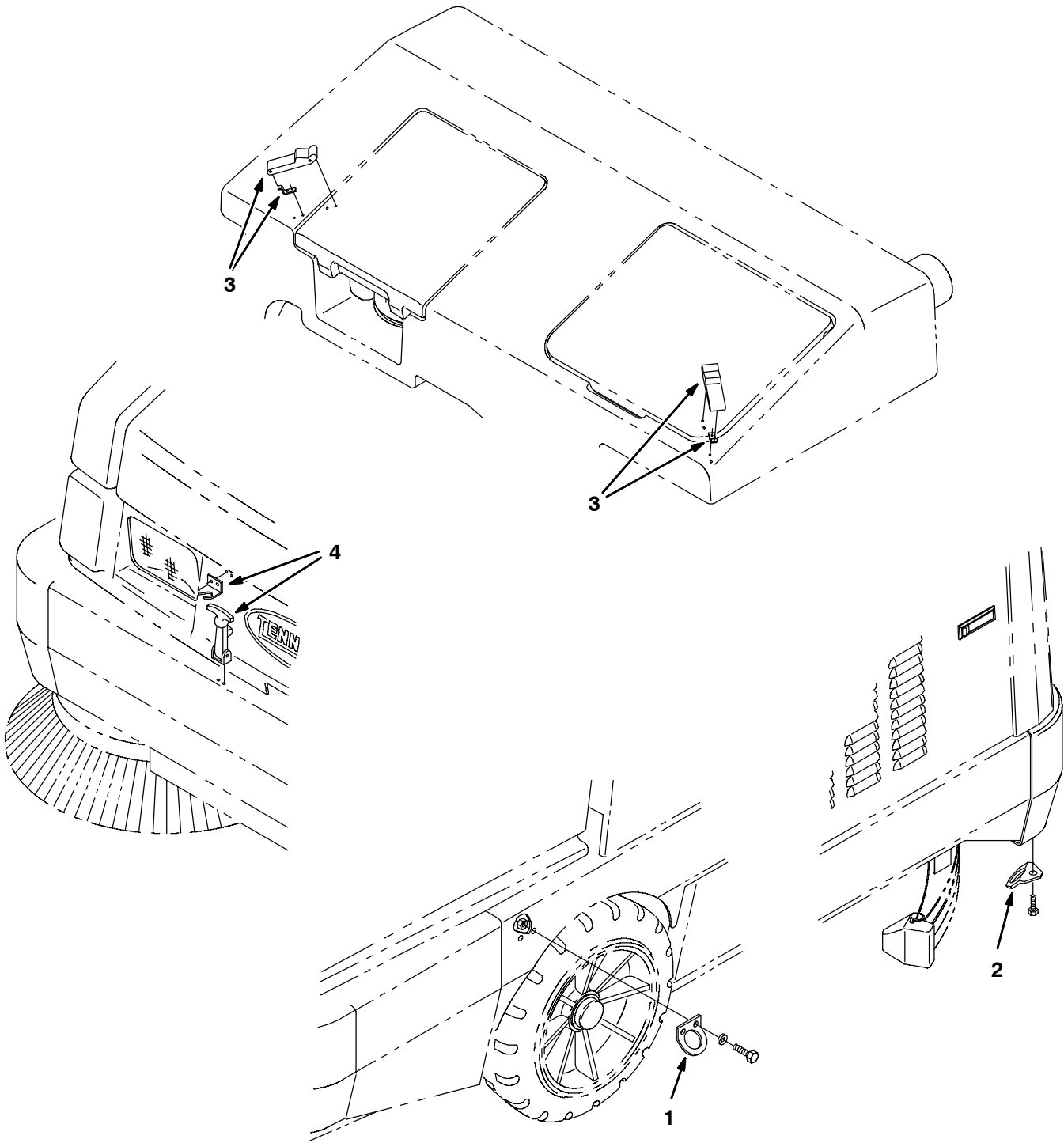
Fig. 24 - Right Hand Side Squeegee Guard Kit



**Fig. 24 - Right Hand Side Squeegee Guard Kit**

	<b>Ref.</b>	<b>Part No.</b>	<b>Serial Number</b>	<b>Description</b>	<b>Qty.</b>
▽		10562	(000000-	) Side Squeegee Se Kit	1
▲	1	10550	(000000-	) Channel Wldt	1
▲	2	10557	(000000-	) Arm Wldt	1
▲	3	10560	(000000-	) Tube Wldt	1
▲	4	10561	(000000-	) Roller	1
▲	5	45261	(000000-	) Sprng,Comp,0.74Idx.11Wire 2.5L	1
▲	6	56855	(000000-	) Bumper,Rbr,W.Knurled Stud	1
▲	7	51538	(000000-	) Pin,Clevis,0.50 Dia.X 5.00 Lg	1
▲	8	72946	(000000-	) Roller 1.75	2
▲	9	51225	(000000-	) Pin,Clevis,0.50 Dia.X 5.50 Lg	1
▲	10	86860	(000000-	) Bearing, Thrust .500	2

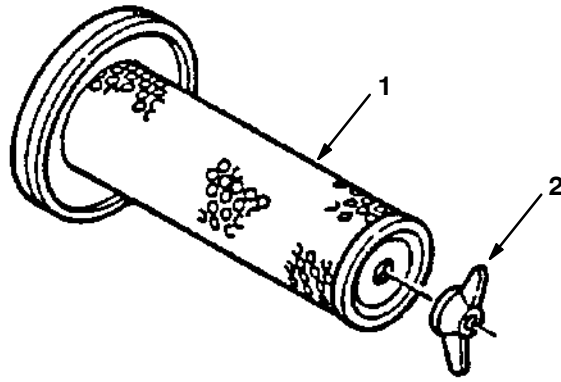
Fig. 25 - Machine Transport Kit



**Fig. 25 - Machine Transport Kit**

<b>Ref.</b>	<b>Part No.</b>	<b>Serial Number</b>	<b>Description</b>	<b>Qty.</b>
1	82196	(000000-	) Bracket,Rear Tiedown	2
2	14983	(000000-	) Bracket Tie Down	2
3	49800	(000000-	) Latch, Elastic	2
4	11636	(000000-	) Latch, Draw, Flexible	1

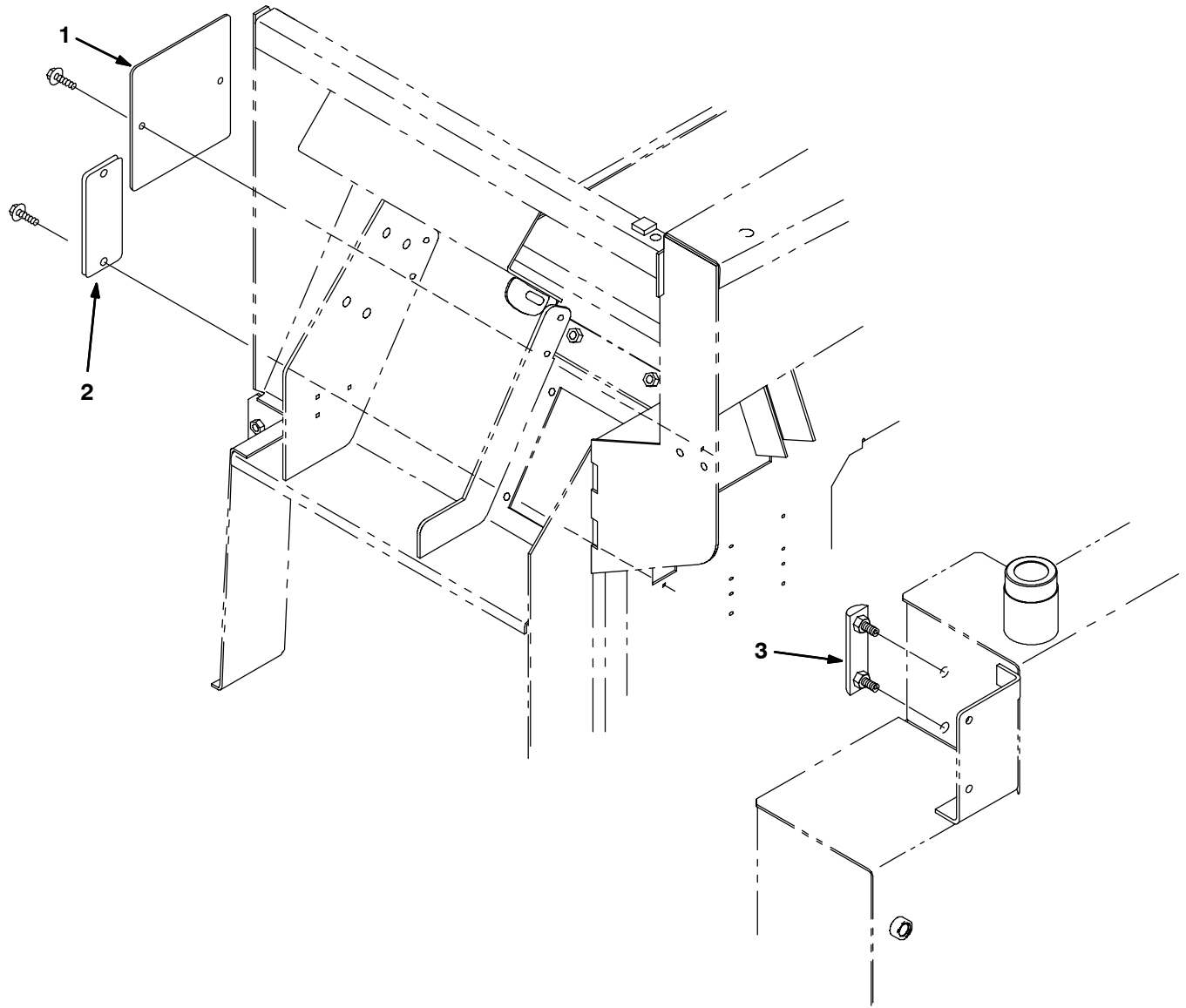
**Fig. 26 - Heavy Duty Engine Air Filter Kit**



04712 - ALL

	<b>Ref.</b>	<b>Part No.</b>	<b>Serial Number</b>	<b>Description</b>	<b>Qty.</b>
▽		07565	(000000-	) Kit, Air Filter, Engine	1
▲	1	58121	(000000-	) Element, Safety	1
▲	2	07562	(000000-	) Wingnut	1

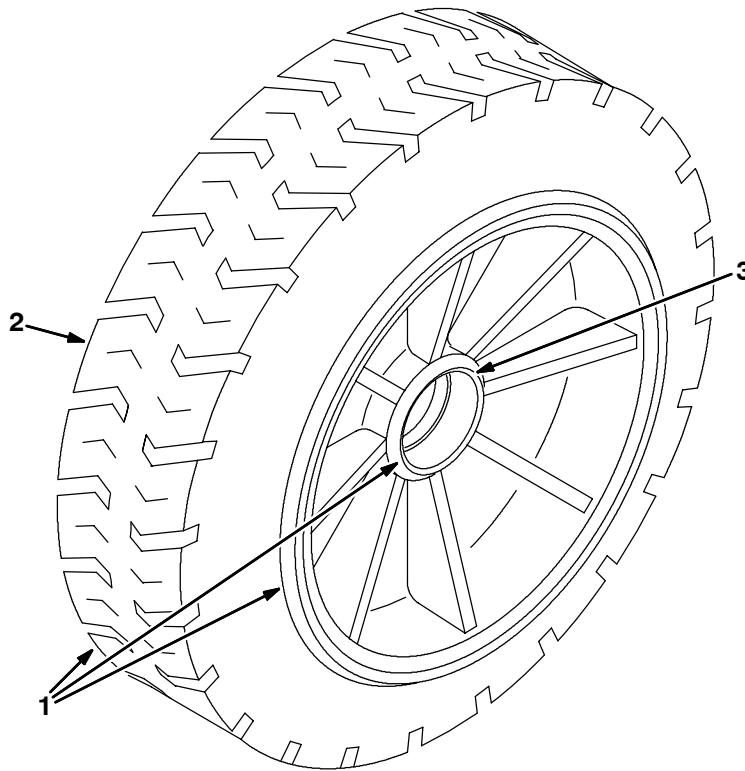
Fig. 27 - Sight Gauge Kit



350496 - ALL

Ref.	Part No.	Serial Number	Description	Qty.
	84112	(000000-	) Gage Kit, Hyd Tank	1
1	83822	(000000-	) Cover, Brush Press Linkage	1
2	22746	(000000-	) Pane, Acrylic	1
3	65215	(000000-	) Gauge, Sight Lh	1

**Fig. 28 - Solid Turf Tire and Wheel Assembly**

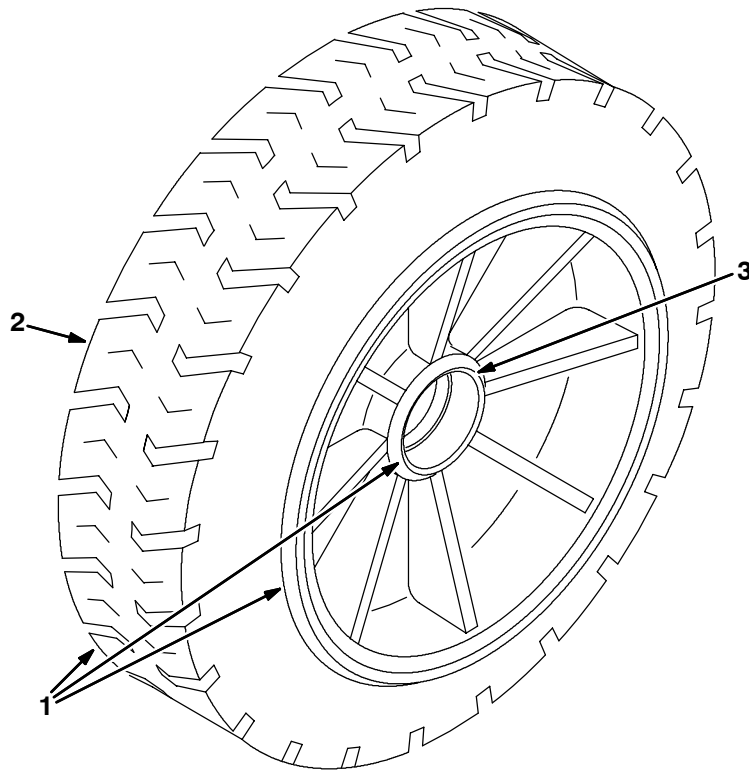


352366 - ALL

	<b>Ref.</b>	<b>Part No.</b>	<b>Serial Number</b>	<b>Description</b>	<b>Qty.</b>
▽	1	374605	(000000-	) Tire & Wheel Assy, Solid Turf 18X7	1
▲	2	374604	(000000-	) Tire, Solid 18X7X12.12 Turf	1
▲	3	51338AM	(000000-	) Bearing, Cup, 2.56Dia 0.55W	2



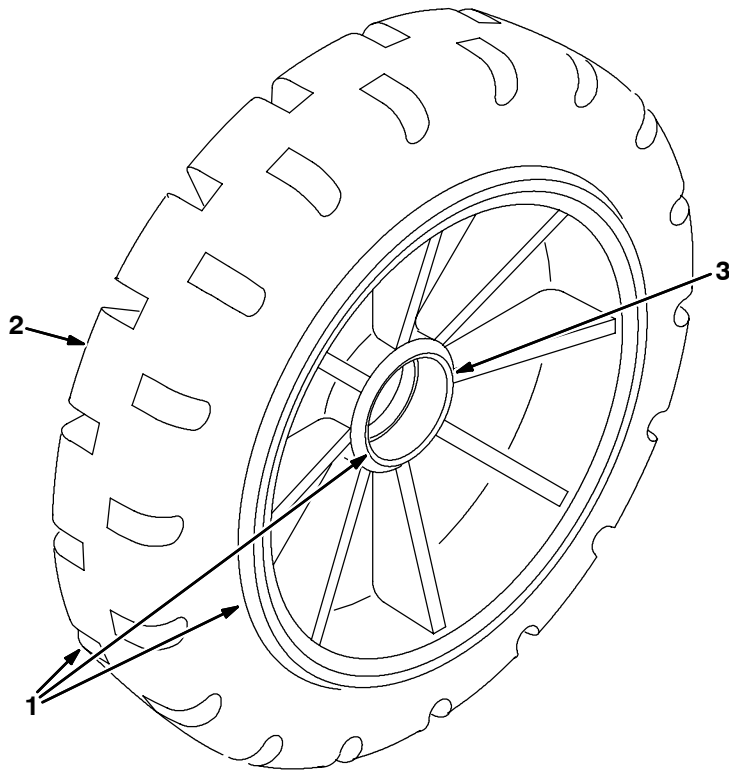
Fig. 29 - Solid Non Marking Turf Tire and Wheel Assembly



352366 - ALL

	Ref.	Part No.	Serial Number	Description	Qty.
▽	1	374689	(000000-	) Tire & Wheel Assy, Solid Non Marking Turf 18X7	1
▲	2	374688	(000000-	) Tire, Solid 18X7X12.12 Turf, Non Marking	1
▲	3	51338AM	(000000-	) Bearing, Cup, 2.56Dia 0.55W	2

**Fig. 30 - Solid Non Marking Tire and Wheel Assembly**



352368 - ALL

	<b>Ref.</b>	<b>Part No.</b>	<b>Serial Number</b>	<b>Description</b>	<b>Qty.</b>
▽	1	374608	(000000-	) Tire & Wheel Assy, Solid Nonmark	1
▲	2	374607	(000000-	) Tire, Solid 18X5X12.12 Nonmark	1
▲	3	51338AM	(000000-	) Bearing, Cup, 2.56Dia 0.55W	2

**Fig. 31 - Documentation Group**

<b>Ref.</b>	<b>Part No.</b>	<b>Serial Number</b>	<b>Description</b>	<b>Qty.</b>
1	MM391	(000000-	) Manual Pkg 8410D	1
2	20756	(000000-	) Service Manual, F/V2203B-3 KU	1
3	MM392	(000000-	) Service Manual Pkg 8410	1
4	84078	(000000-	) Tape, Video, Operator, 8410	1
5	MM391ES	(000000-	) Manual, Operator ES	1
6	MM391FR	(000000-	) Manual, Operator FR	1
7	330710	(000000-	) Manual, CD-Rom, Oprts&Parts, All (NA)	1



## SECTION 4

Contents	Page
Fig. 1 - Hydraulic Motor Breakdown, 74162 . . . .	4-2
Fig. 2 - Hydraulic Motor Breakdown, 22604 . . . .	4-4
Fig. 3 - Hydraulic Motor Breakdown, 53435 . . . .	4-6
Fig. 4 - Hydraulic Motor Breakdown, 373340 . . .	4-8
Fig. 5 - Hydraulic Motor Breakdown, 73090 . . .	4-10
Fig. 6 - Hydraulic Motor Breakdown, 73098 . . .	4-12
Fig. 7 - Hydraulic Motor Breakdown, 73112 . . .	4-13
Fig. 8 - Hydraulic Motor Breakdown, 84009 . . .	4-14
Fig. 9 - Hydraulic Motor Breakdown, 74468 . . .	4-15
Fig. 10 - Hydraulic Steering Valve Breakdown, 73093 . . . . .	4-16
Fig. 11 - Hydraulic Piston Pump Breakdown, 373486 . . . . .	4-18
Fig. 12 - Hydraulic Pump Breakdown, 73101 . . .	4-20
Fig. 13 - Hydraulic Pump Breakdown, 73102 . . .	4-22
Fig. 14 - Hydraulic Pump Breakdown, 79770 . . .	4-24
Fig. 15 - Hydraulic Piston Pump Breakdown, 373485 . . . . .	4-26
Fig. 16 - Hydraulic Solenoid Valve Breakdown, 84011 . . . . .	4-28
Fig. 17 - Hydraulic Solenoid Valve Breakdown, 84012 . . . . .	4-30
Fig. 18 - Hydraulic Solenoid Valve Breakdown, 84010 . . . . .	4-32
Fig. 19 - Hydraulic Solenoid Valve Breakdown, 1032232 . . . . .	4-34
Fig. 20 - Extended Scrub Pump Breakdown, 379001 . . . . .	4-36
Fig. 21 - Extended Scrub Pump Breakdown, 20891 . . . . .	4-38
Fig. 22 - Extended Scrub Pump Breakdown, 1021210 . . . . .	4-40
Fig. 23 - Hydraulic Flow Sensor Switch Breakdown, 73430 . . . . .	4-42
Fig. 24 - Metering Solution Pump Breakdown, 73260 . . . . .	4-43

Fig. 1 - Hydraulic Motor Breakdown, 74162

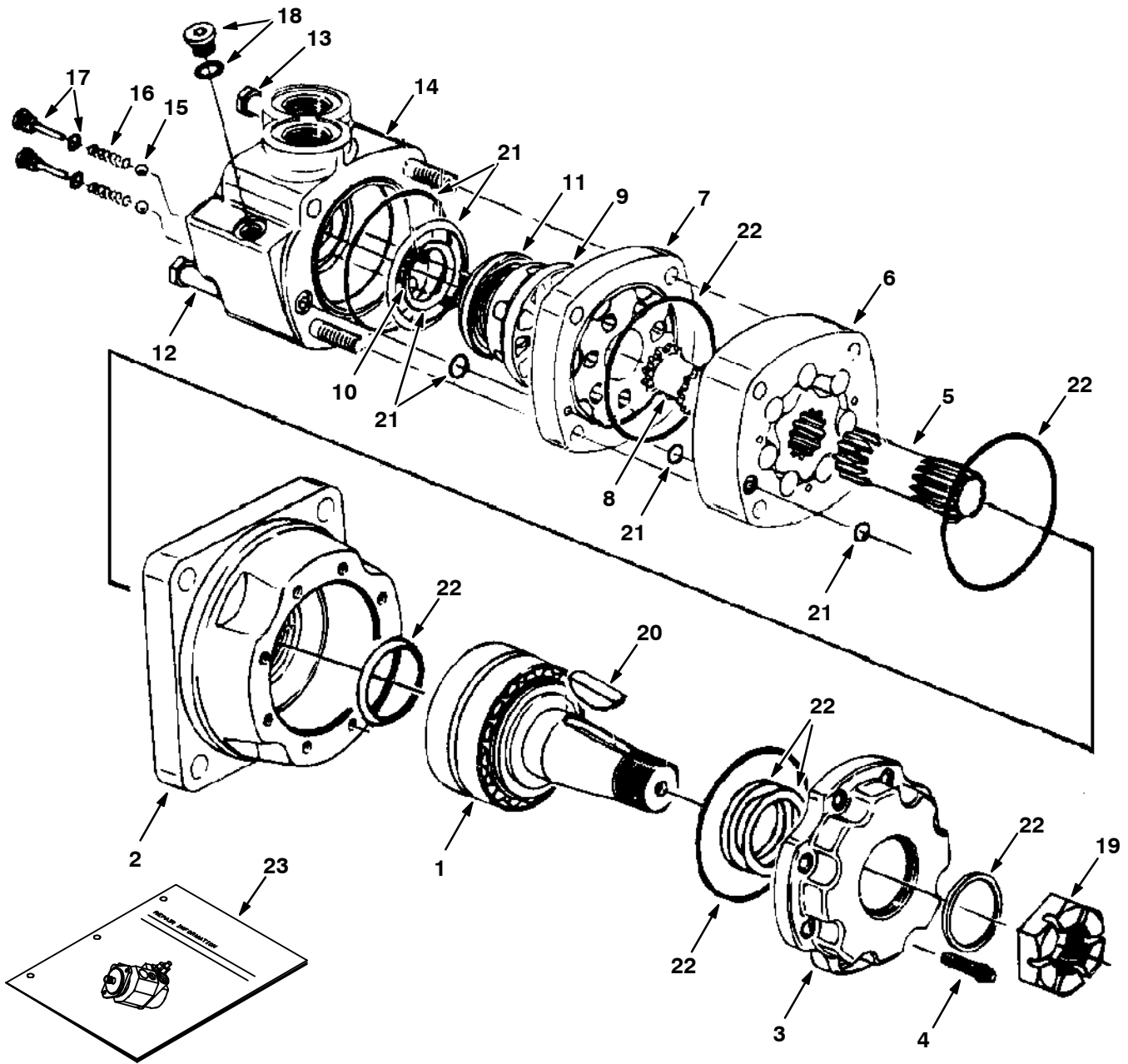


Fig. 1 - Hydraulic Motor Breakdown, 74162

	Ref.	Part No.	Serial Number	Description	Qty.
▽		74162	(000000-	) Motor, Hyd Gear In 19.0	1
▲	1	74165	(000000-	) Shaft, Assy Cl	1
▲	2	74166	(000000-	) Housing, Brg Cl	1
▲	3	74167	(000000-	) Retainer, Frt Cl	1
▲	4	74168	(000000-	) Screw, Cap Cl	8
▲	5	37616	(000000-	) Drive	1
▲	6	37756	(000000-	) Geroler	1
▲	7	74122	(000000-	) Plate, Valve	1
▲	8	52405	(000000-	) Valve	1
▲	9	74123	(000000-	) Valve Cl	1
▲	10	34178	(000000-	) Spring	2
▲	11	38968	(000000-	) Ring	1
▲	12	74125	(000000-	) Bolt Cl	3
▲	13	38255	(000000-	) Bolt	1
▲	14	74171	(000000-	) Housing, Assy Cl	1
▲	15	37766	(000000-	) Ball	2
▲	16	34179	(000000-	) Spring	2
▲	17	74137	(000000-	) Plug Assembly Cl	2
▲	18	74098	(000000-	) Plug Assembly Ph	1
▲	19	45622	(000000-	) Nut	1
▲	20	45623	(000000-	) Key	1
▲	21	33580	(000000-	) Seal Kit, Rear	1
▲	22	79828	(000000-	) Seal Kit, Shaft Cl	1
	23	74249	(000000-	) Repair Info. Cl	1

Fig. 2 - Hydraulic Motor Breakdown, 22604

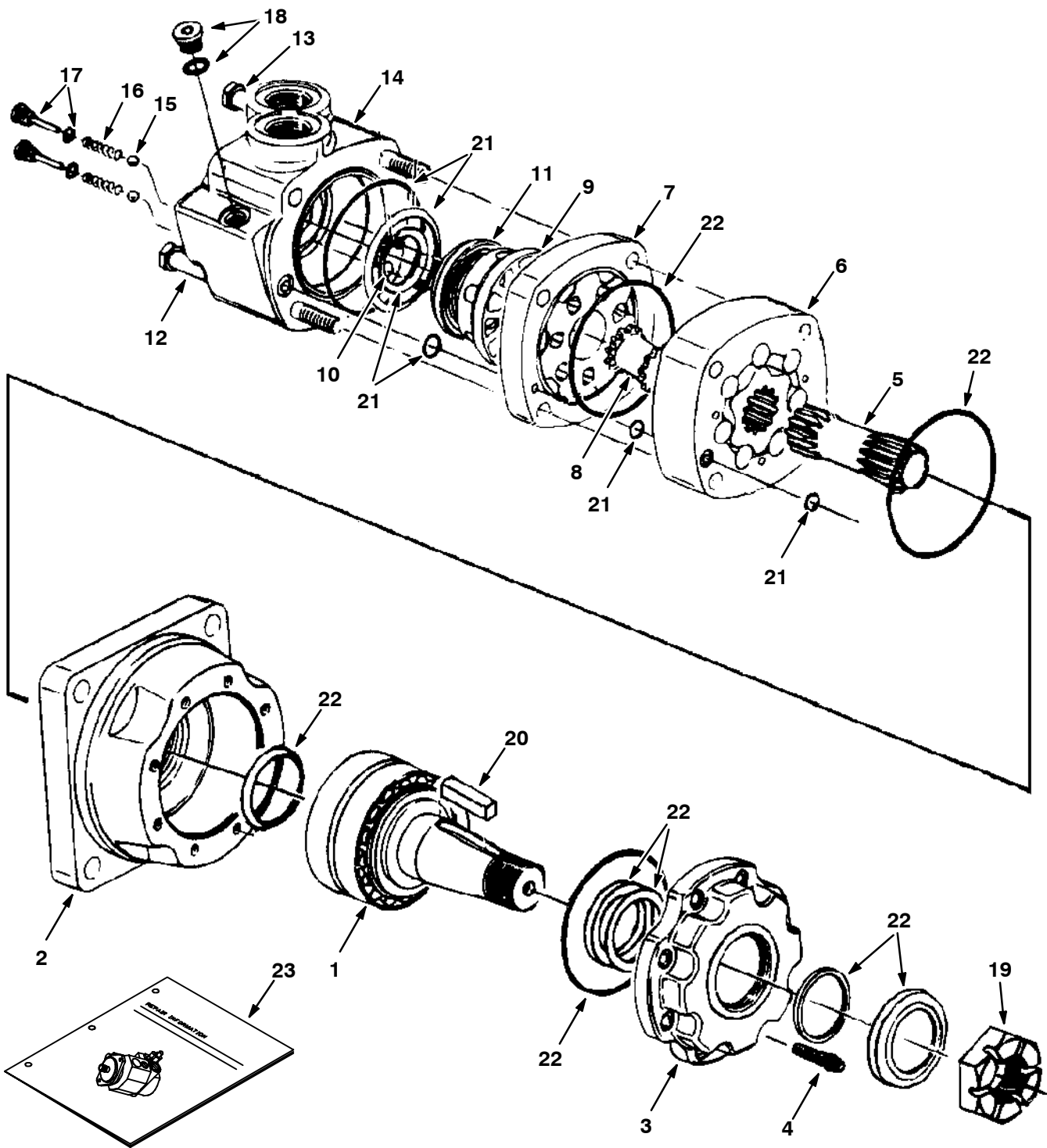




Fig. 2 - Hydraulic Motor Breakdown, 22604

	Ref.	Part No.	Serial Number	Description	Qty.
▽		22604	(000000-	) Motor, Hyd Gear	1
▲	1	74165	(000000-	) Shaft S/A	1
▲	2	74166	(000000-	) Housing, Brg	1
▲	3	74167	(000000-	) Retainer, Frt	1
▲	4	74168	(000000-	) Screw, Cap	8
▲	5	37616	(000000-	) Drive	1
▲	6	37756	(000000-	) Geroler	1
▲	7	74122	(000000-	) Plate, Valve	1
▲	8	52405	(000000-	) Valve	1
▲	9	74123	(000000-	) Valve	1
▲	10	34178	(000000-	) Spring	2
▲	11	38968	(000000-	) Ring	1
▲	12	74125	(000000-	) Bolt	3
▲	13	38255	(000000-	) Bolt	1
▲	14	74171	(000000-	) Housing Assy,	1
▲	15	37766	(000000-	) Ball	2
▲	16	34179	(000000-	) Spring	2
▲	17	74137	(000000-	) Plug Assembly	2
▲	18	74098	(000000-	) Plug #4	1
▲	19	45622	(000000-	) Nut	1
▲	20	45623	(000000-	) Key	1
▲	21	33580	(000000-	) Seal Kit, Rear	1
▲	22	79828	(000000-	) Seal Kit, Shaft	1
▲	23	74249	(000000-	) Instr. Repair Info, Motor	1

**Fig. 3 - Hydraulic Motor Breakdown, 53435**

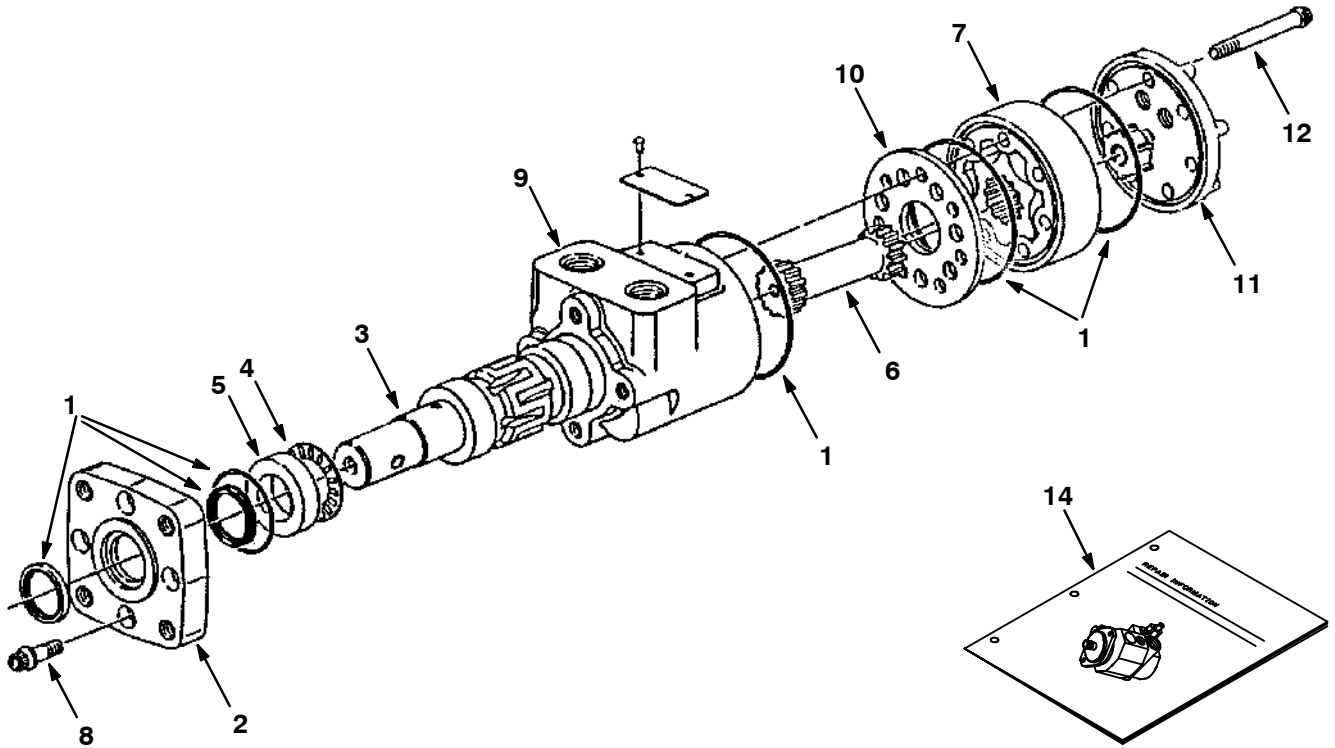


Fig. 3 - Hydraulic Motor Breakdown, 53435

	Ref.	Part No.	Serial Number	Description	Qty.
▽		53435	(000000-	) Motor, Hydraulic	1
▲	1	61490	(000000-	) Seal Kit	1
▲	2	31354	(000000-	) Flange, Mounting	1
▲	3	31373	(000000-	) Output Shaft	1
▲	4	45628	(000000-	) Bearing Thrust	1
▲	5	16695	(000000-	) Race, Thrust	1
▲	6	31377	(000000-	) Drive	1
▲	7	31384	(000000-	) Gerotor Set	1
▲	8	37555	(000000-	) Screw	4
▲	9	74100	(000000-	) Housing	1
▲	10	74094	(000000-	) Spacer Plate	1
▲	11	74101	(000000-	) End Cap	1
▲	12	22622	(000000-	) Screw, Cap	5
	13	74250	(000000-	) Repair Info.	1

**Fig. 4 - Hydraulic Motor Breakdown, 373340**

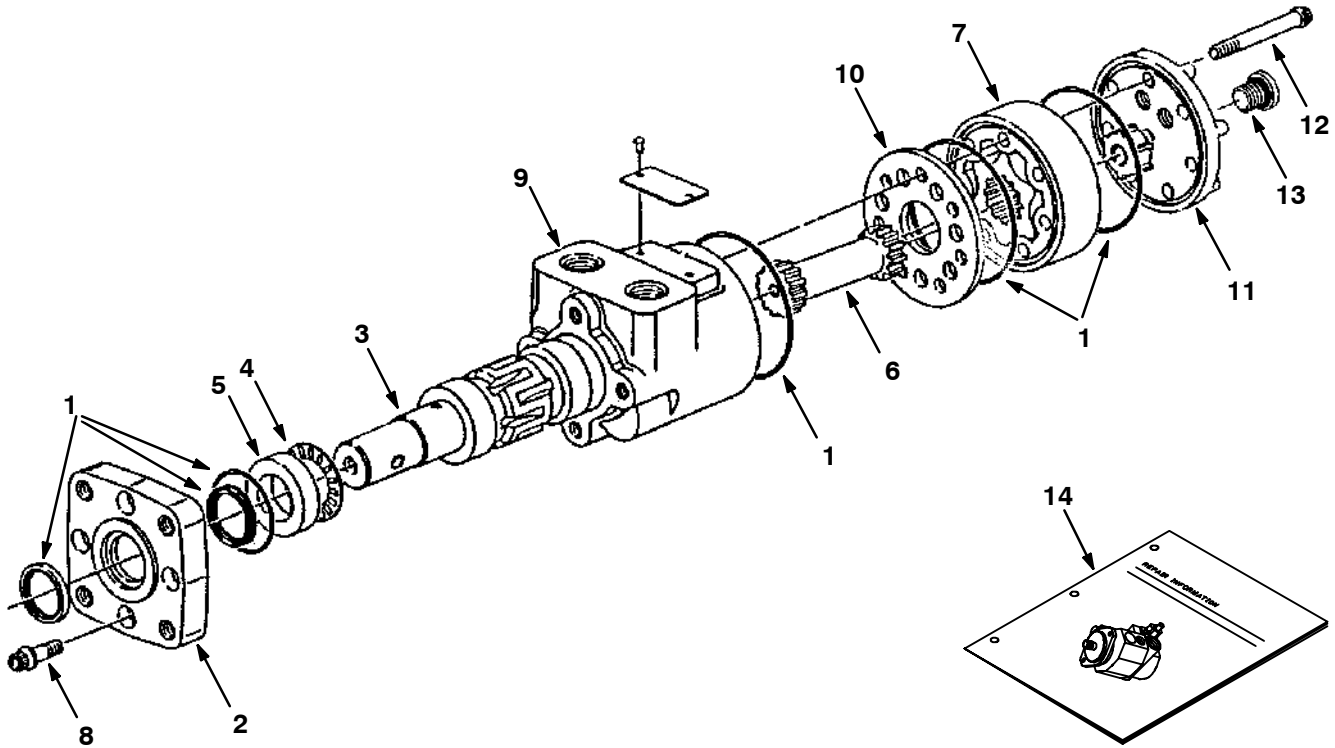


Fig. 4 - Hydraulic Motor Breakdown, 373340

	Ref.	Part No.	Serial Number	Description	Qty.
▽		373340	(000000-	) Motor, Hydraulic	1
▲	1	22654	(000000-	) Seal Kit	1
▲	2	31354	(000000-	) Flange, Mounting	1
▲	3	31373	(000000-	) Output Shaft	1
▲	4	45628	(000000-	) Bearing Thrust	1
▲	5	16695	(000000-	) Race, Thrust	1
▲	6	31377	(000000-	) Drive	1
▲	7	31384	(000000-	) Gerotor Set	1
▲	8	37555	(000000-	) Screw	4
▲	9	74100	(000000-	) Housing	1
▲	10	74094	(000000-	) Spacer Plate	1
▲	11	74101	(000000-	) End Cap	1
▲	12	22622	(000000-	) Screw, Cap	5
▲	13	74098	(000000-	) Plug	1
	14	74250	(000000-	) Repair Info.	1

**Fig. 5 - Hydraulic Motor Breakdown, 73090**

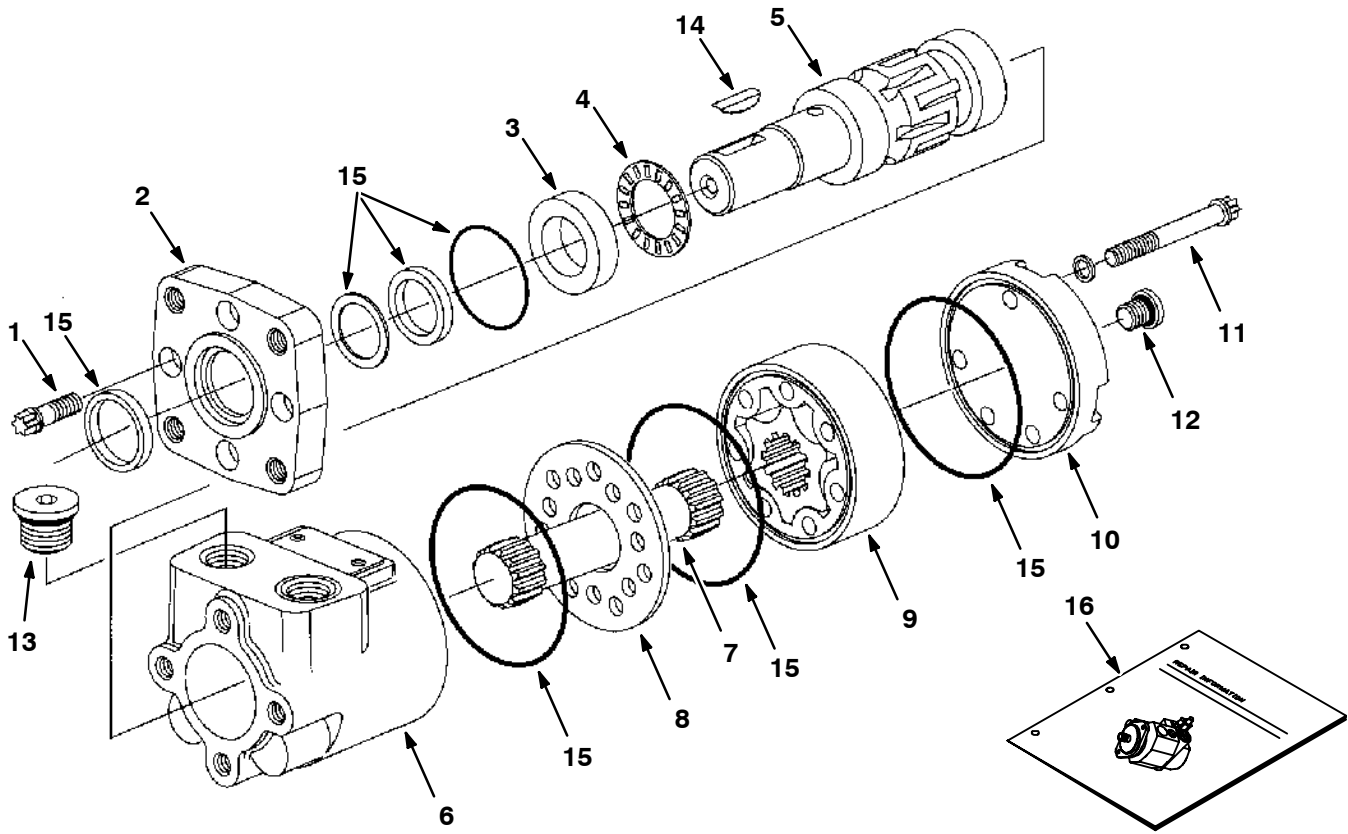
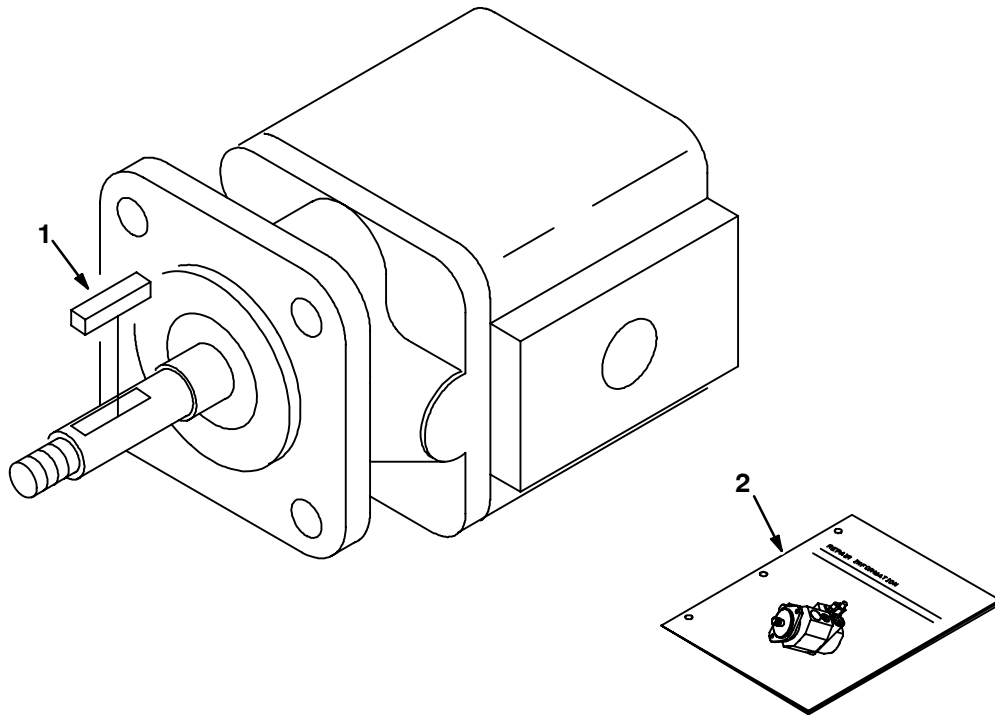


Fig. 5 - Hydraulic Motor Breakdown, 73090

Ref.	Part No.	Serial Number	Description	Qty.
▽	73090	(000000-	) Motor, Hyd Gear in 07.3 B 1500	1
▲	1 37555	(000000-	) Cap, Screw	4
▲	2 31354	(000000-	) Flange Mounting	1
▲	3 16695	(000000-	) Race Thrust	1
▲	4 45628	(000000-	) Thrust Bearing	1
▲	5 28854	(000000-	) Shaft, Output	1
▲	6 74100	(000000-	) Housing Cl	1
▲	7 74175	(000000-	) Drive Cl	1
▲	8 74094	(000000-	) Spacer Plate Cl	1
▲	9 74177	(000000-	) Gerotor Assy Cl	1
▲	10 74095	(000000-	) End Cap Cl	1
▲	11 74178	(000000-	) Screw Cap Cl	5
▲	12 74098	(000000-	) Plug Assembly Ph	1
▲	13 74099	(000000-	) Plug Assembly Ph	2
▲	14 00500-15	(000000-	) Key-Wdruff 0.25 1.00 Asa#0808	1
▲	15 61490	(000000-	) Seal Replmt Kit	1
	16 74250	(000000-	) Repair Info. Cl	1

**Fig. 6 - Hydraulic Motor Breakdown, 73098**

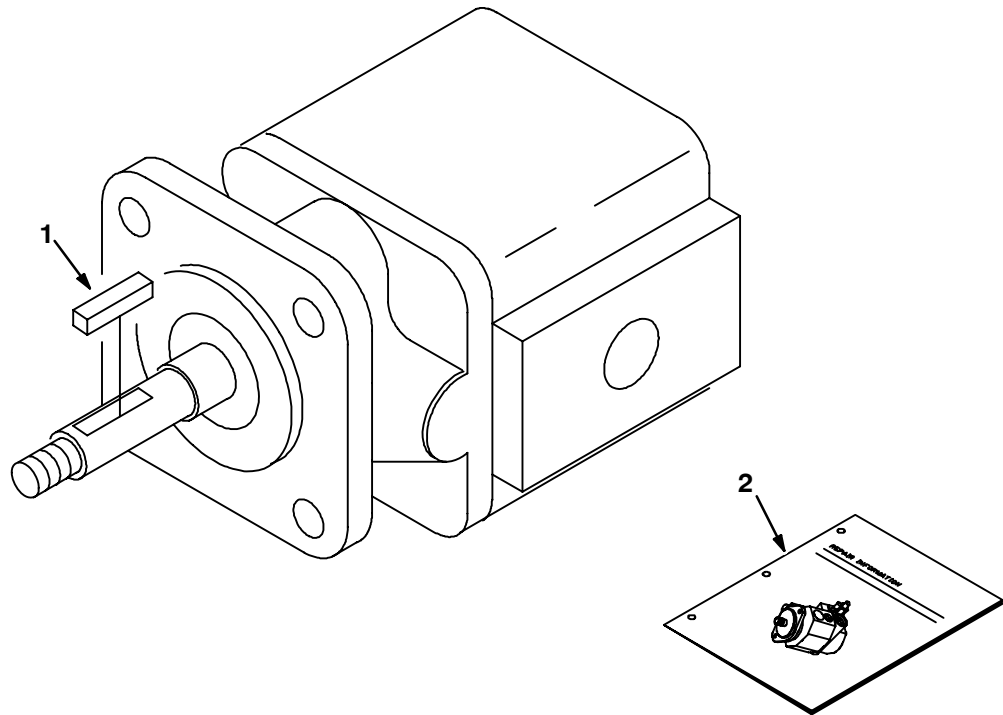


09664-09670 - ALL

	<b>Ref.</b>	<b>Part No.</b>	<b>Serial Number</b>	<b>Description</b>	<b>Qty.</b>
▽		73098	(000000-	) Motor, Hyd Gear Ex 0.26 R 3000	1
▲	1	00960	(000000-	) Key Square 0.12 0.12 00.50 Lg	1
▲		74233	(000000-	) Seal Kit, Hyd Mtr Gear Bn	1
	2	IB3614	(000000-	) Repair Info.	1



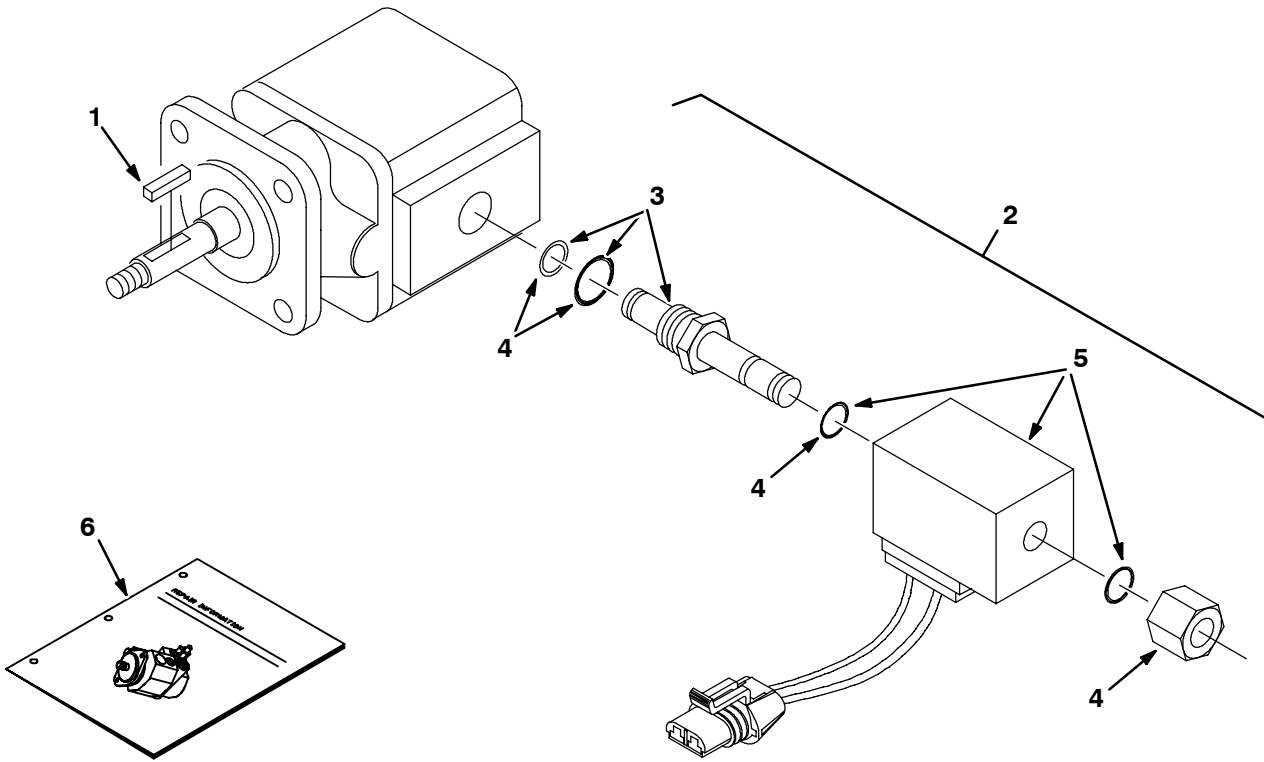
**Fig. 7 - Hydraulic Motor Breakdown, 73112**



09664-09670 - ALL

Ref.	Part No.	Serial Number	Description	Qty.
▽	73112	(000000-	) Motor, Hyd Gear Ex 0.13 L 3000	1
▲	1 00954	(000000-	) Key Square 0.12 0.12 01.00 Lg	1
▲	74233	(000000-	) Seal Kit, Hyd Mtr Gear Bn	1
	2 IB3614	(000000-	) Repair Info.	1

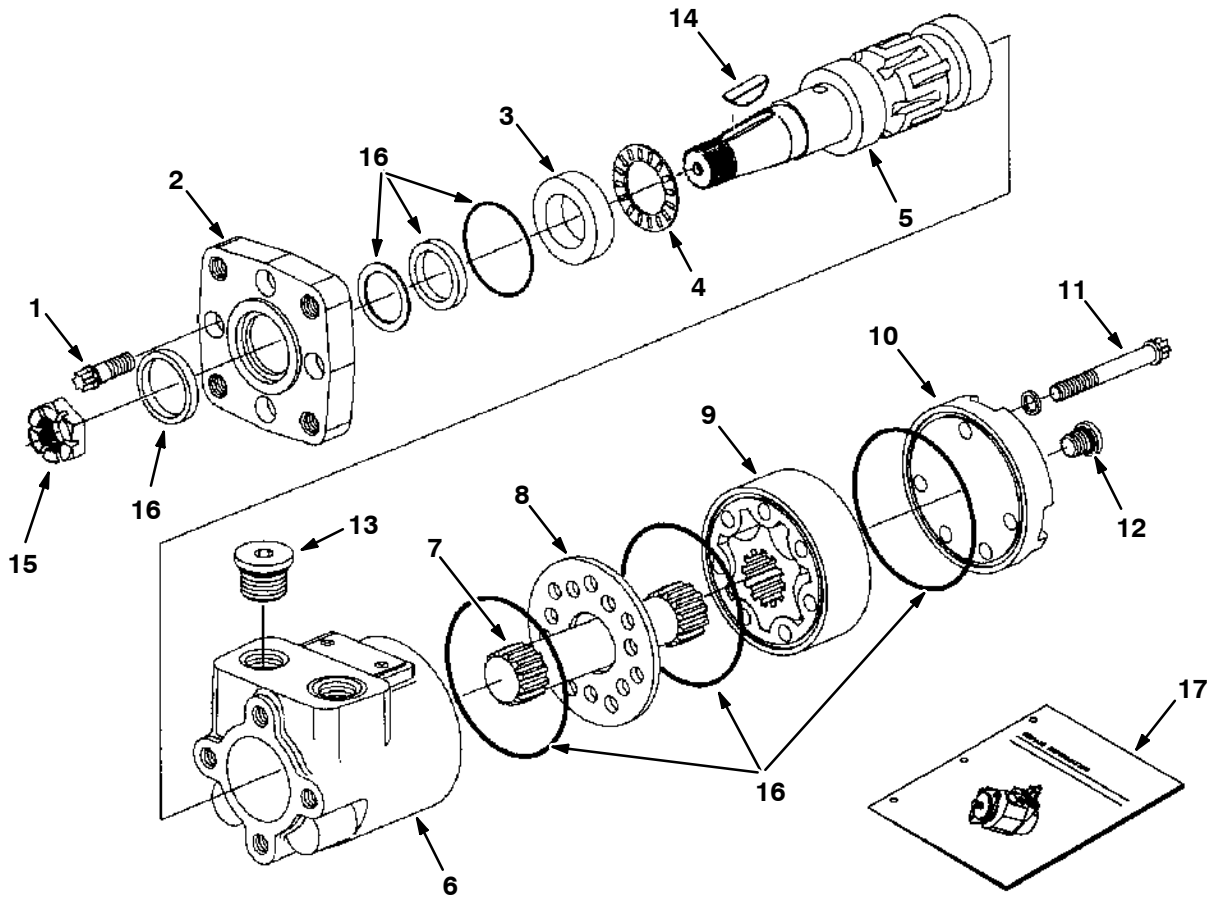
**Fig. 8 - Hydraulic Motor Breakdown, 84009**



11085-09670 - ALL

Ref.	Part No.	Serial Number	Description	Qty.
▽	84009	(000000-	) Motor, Hydraulic	1
▲	74233	(000000-	) Seal Kit, Motor	1
▲	1 00966	(000000-	) Key	1
▲▽	2 84008	(000000-	) Valve Assembly, Solenoid	1
▲▲	3 59378	(000000-	) Cartridge, Solenoid Valve	1
▲▲	4 48813	(000000-	) Seal Kit, One Cartridge	1
▲▲	5 21916	(000000-	) Coil	1
	6 IB3614	(000000-	) Repair Info.	1

**Fig. 9 - Hydraulic Motor Breakdown, 74468**



09606-09670 - ALL

Ref.	Part No.	Serial Number	Description	Qty.	
▽	74468	(000000-	) Motor, Hyd Gear In 02.8 B 1500	1	
▲	1	37555	(000000-	) Cap, Screw	4
▲	2	31354	(000000-	) Flange Mounting	1
▲	3	16695	(000000-	) Race Thrust	1
▲	4	45628	(000000-	) Thrust Bearing	1
▲	5	31375	(000000-	) Shaft, Output	1
▲	6	74100	(000000-	) Housing Cl	1
▲	7	34176	(000000-	) Drive	1
▲	8	74094	(000000-	) Spacer Plate Cl	1
▲	9	31381	(000000-	) Gerotor Set	1
▲	10	74095	(000000-	) End, Cap	1
▲	11	74174	(000000-	) Cap, Screw Cl	5
▲	12	74098	(000000-	) Plug Assembly Ph	1
▲	13	74099	(000000-	) Plug Assembly Ph	2
▲	14	00500-15	(000000-	) Key-Wdruff 0.25 1.00 Asa#0808	1
▲	15	39527	(000000-	) Nut-Hxslot .75-16 Pltd	1
▲	16	61490	(000000-	) Seal Replmt Kit	1
	17	74250	(000000-	) Repair Info. Cl	1

Fig. 10 - Hydraulic Steering Valve Breakdown, 73093

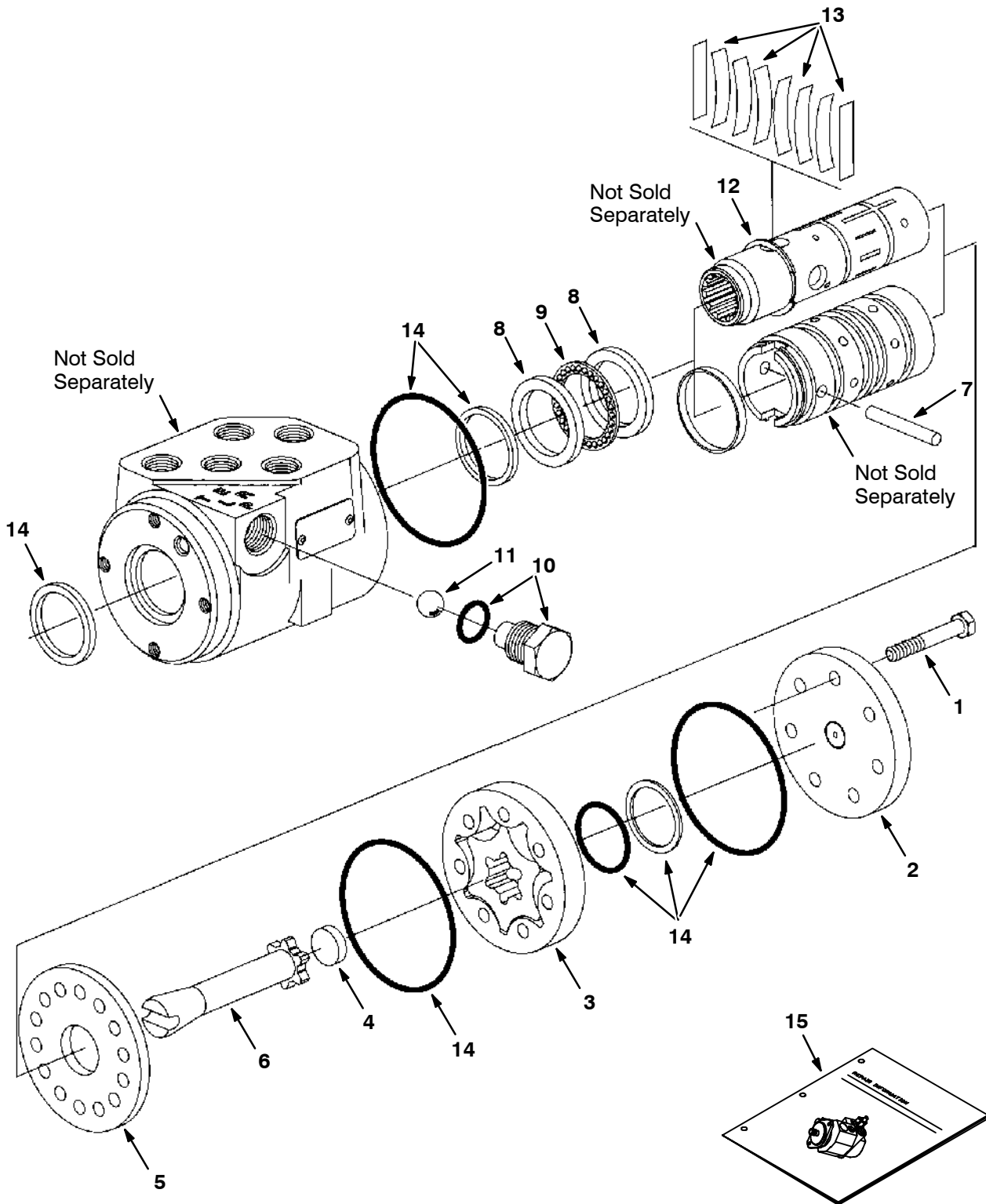


Fig. 10 - Hydraulic Steering Valve Breakdown, 73093

	Ref.	Part No.	Serial Number	Description	Qty.
▽		73093	(000000-	) Steer Control, NYD#2 06.1 1000	1
▲	1	74183	(000000-	) Screw, Cap CI	7
▲	2	74185	(000000-	) Cap, End CI	1
▲	3	74192	(000000-	) Gerotor S/A CI	1
▲	4	74193	(000000-	) Spacer CI	1
▲	5	74222	(000000-	) Plate, Wear CI	1
▲	6	74231	(000000-	) Drive CI	1
▲	7	74232	(000000-	) Pin CI	1
▲	8	74234	(000000-	) Race, Bearing CI	2
▲	9	74236	(000000-	) Bearing CI	1
▲	10	74241	(000000-	) Plug Assy CI	1
▲	11	74242	(000000-	) Ball CI	1
▲	12	74243	(000000-	) Ring, Retaining CI	1
▲	13	74196	(000000-	) Spring Kit, Scu CI	1
▲	14	74244	(000000-	) Seal Kit, Stg CI	1
	15	74245	(000000-	) Repair Info CI	1

**Fig. 11 - Hydraulic Piston Pump Breakdown, 373486**

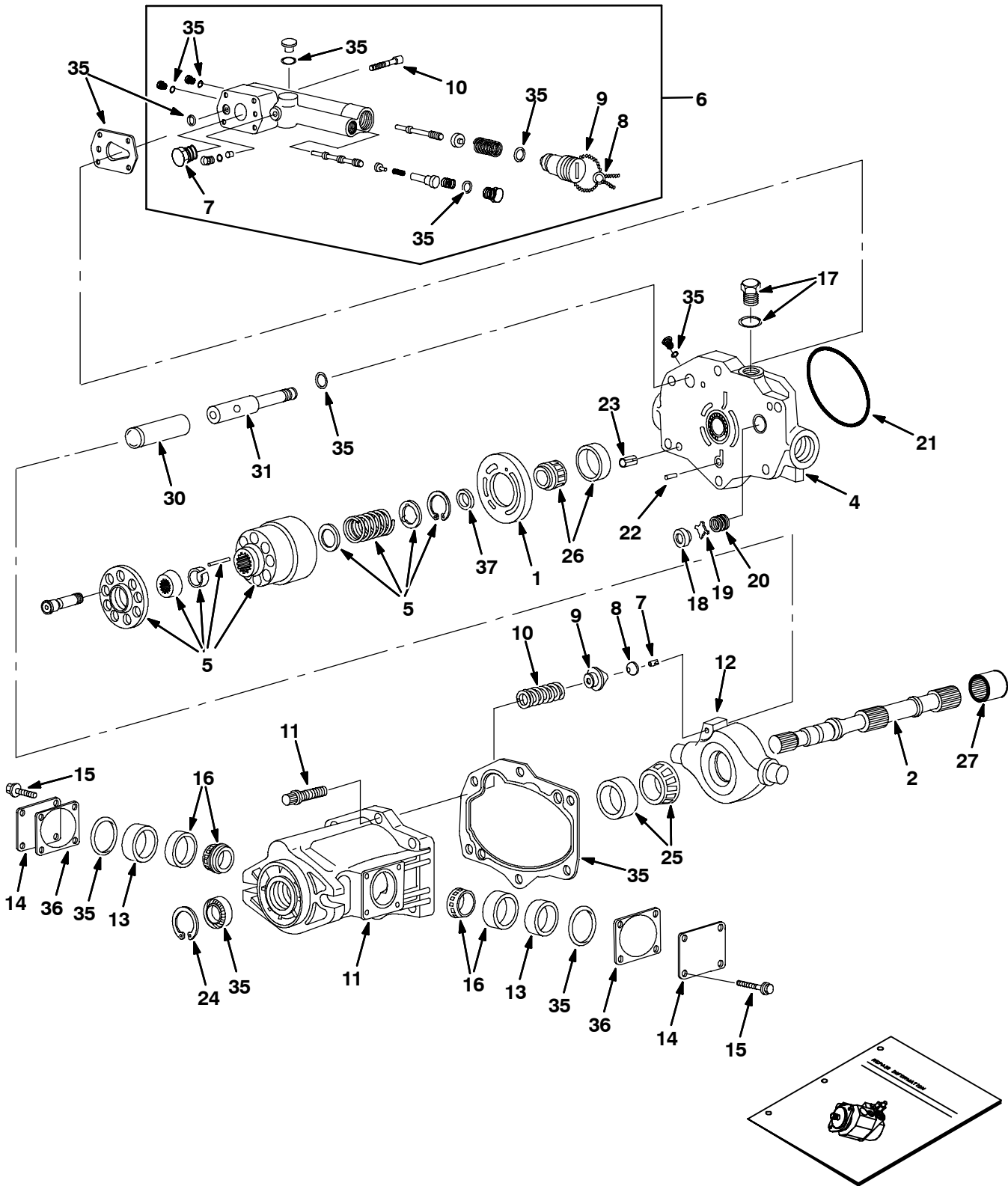
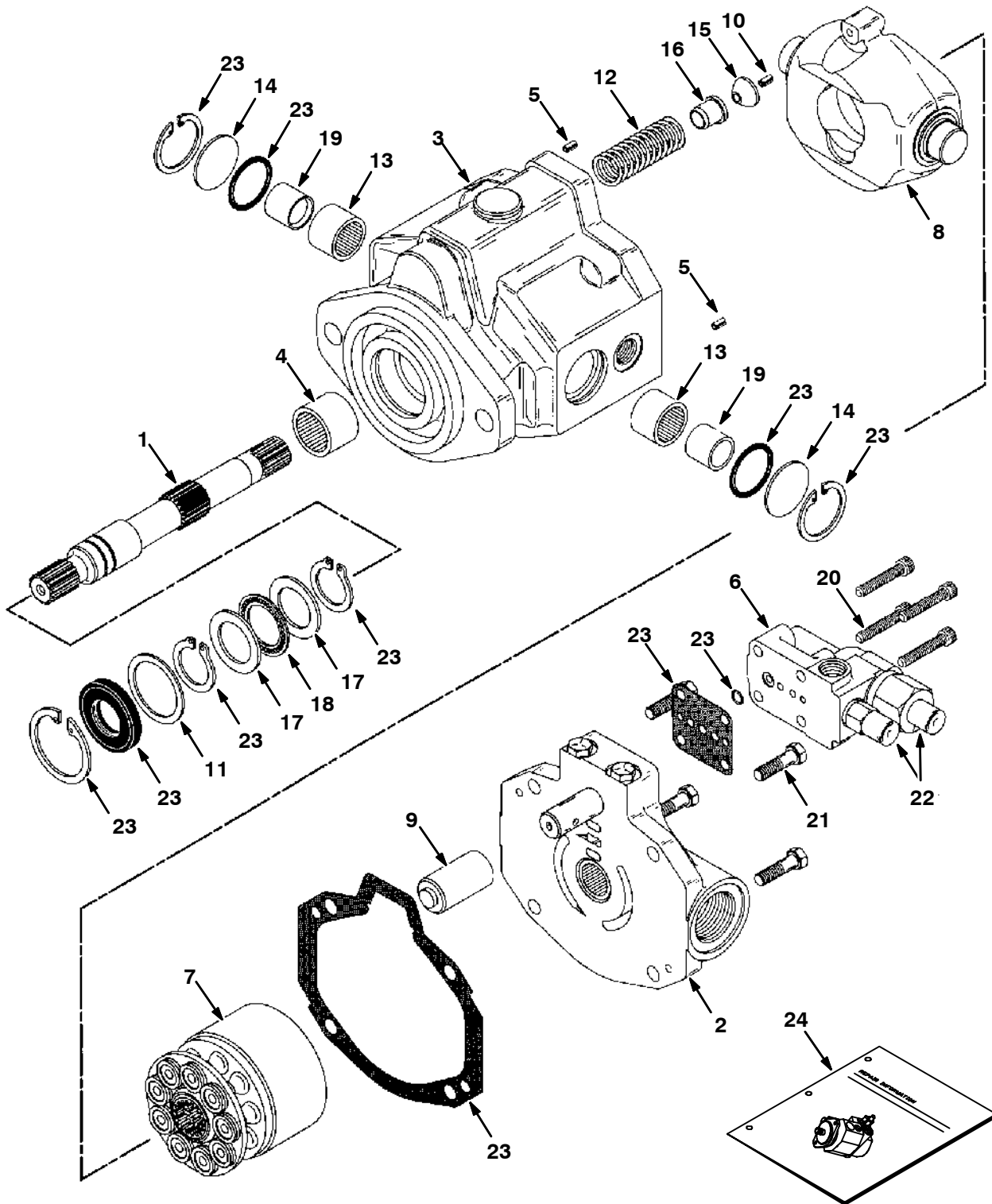


Fig. 11 - Hydraulic Piston Pump Breakdown, 373486

Ref.	Part No.	Serial Number	Description	Qty.
▽	373486	(000000-	) Pump, Hyd, Piston [L] 2.75 [R] 2500	1
▲	1 373504	(000000-	) Plate, Valve	1
▲	2 373505	(000000-	) Drive Shaft	1
▲	3 373506	(000000-	) Housing	1
▲	4 373507	(000000-	) Cover, End	1
▲	5 373508	(000000-	) Kit, Rotating Group	1
▲▽	6 373509	(000000-	) Compensator, Psi And Flow	1
▲▲	7 373533	(000000-	) Plug	1
▲▲	8 373534	(000000-	) Seal, Wire	1
▲▲	9 373535	(000000-	) Wire	1
▲▲	10 373529	(000000-	) Screw, Cap	4
▲	11 373514	(000000-	) Bolt	6
▲	12 373515	(000000-	) Plate, Swash	1
▲	13 373516	(000000-	) Spacer	2
▲	14 373517	(000000-	) Cover	2
▲	15 373518	(000000-	) Screw	8
▲	16 373519	(000000-	) Bearing Assy	2
▲	17 74099	(000000-	) Plug, O-Ring, Motor, Hyd	1
▲	18 373520	(000000-	) Seat, Valve, Check	1
▲	19 373521	(000000-	) Poppet, Valve, Check	1
▲	20 373522	(000000-	) Spring, Valve, Check	1
▲	21 373537	(000000-	) Seal, Org	1
▲	22 373523	(000000-	) Pin	1
▲	23 373524	(000000-	) Pin	2
	24 373525	(000000-	) Ring, Retaining	1
▲	25 373526	(000000-	) Bearing Assy	1
▲	26 373527	(000000-	) Bearing Assy	1
▲	27 373528	(000000-	) Coupling	1
▲	28 373513	(000000-	) Spring	1
▲	29 373530	(000000-	) Ring, Retaining	1
▲	30 373531	(000000-	) Piston	1
▲	31 373532	(000000-	) Rod, Piston	1
▲	32 373510	(000000-	) Pin, Roll	1
▲	33 373511	(000000-	) Seat, Spherical	1
▲	34 373512	(000000-	) Seat, Spring	1
▲	35 373536	(000000-	) Kit, Seal, Pump	1
▲	36 373539	(000000-	) Kit, Shim, Brg	1
▲	37 373540	(000000-	) Kit, Spacer, Brg	1
▲	38 373538	(000000-	) Instr, Pump Repair	1

Fig. 12 - Hydraulic Pump Breakdown, 73101





**Fig. 12 - Hydraulic Pump Breakdown, 73101**

	<b>Ref.</b>	<b>Part No.</b>	<b>Serial Number</b>	<b>Description</b>	<b>Qty.</b>
▽		73101	(000000-	) Pump, Hyd Piston L 2.77 R 2500	1
▲	1	74199	(000000-	) Shaft, Drive Ce	1
▲	2	74200	(000000-	) Backplate S/A Ce	1
▲▽	3	74201	(000000-	) Housing Assy Ce	1
▲▲	4	37462	(000000-	) Bearing	1
▲▲	5	37704	(000000-	) Rollpin	2
▲	6	74202	(000000-	) Compensator Ce	1
▲	7	74203	(000000-	) Rotating Kit Ce	1
▲	8	74204	(000000-	) Camplate Ce	1
▲	9	74205	(000000-	) Piston, Control Ce	1
▲	10	74206	(000000-	) Pin, Roll Ce	1
▲	11	37460	(000000-	) Washer	1
▲	12	74207	(000000-	) Spring Ce	1
▲	13	37448	(000000-	) Bearing	2
▲	14	37471	(000000-	) Cover	2
▲	15	74208	(000000-	) Button, Pivot Ce	1
▲	16	74209	(000000-	) Collar, Spring Ce	1
▲	17	74240	(000000-	) Race, Bearing Ce	2
▲	18	74210	(000000-	) Bearing Ce	1
▲	19	37454	(000000-	) Bearing Race	2
▲	20	74211	(000000-	) Screw, Cap Ce	4
▲	21	74212	(000000-	) Screw, Cap Ce	4
▲	22	74213	(000000-	) Cover Ce	2
▲	23	74198	(000000-	) Seal Kit, Pump Ce	1
	24	74247	(000000-	) Repair Info. Ce	1

Fig. 13 - Hydraulic Pump Breakdown, 73102

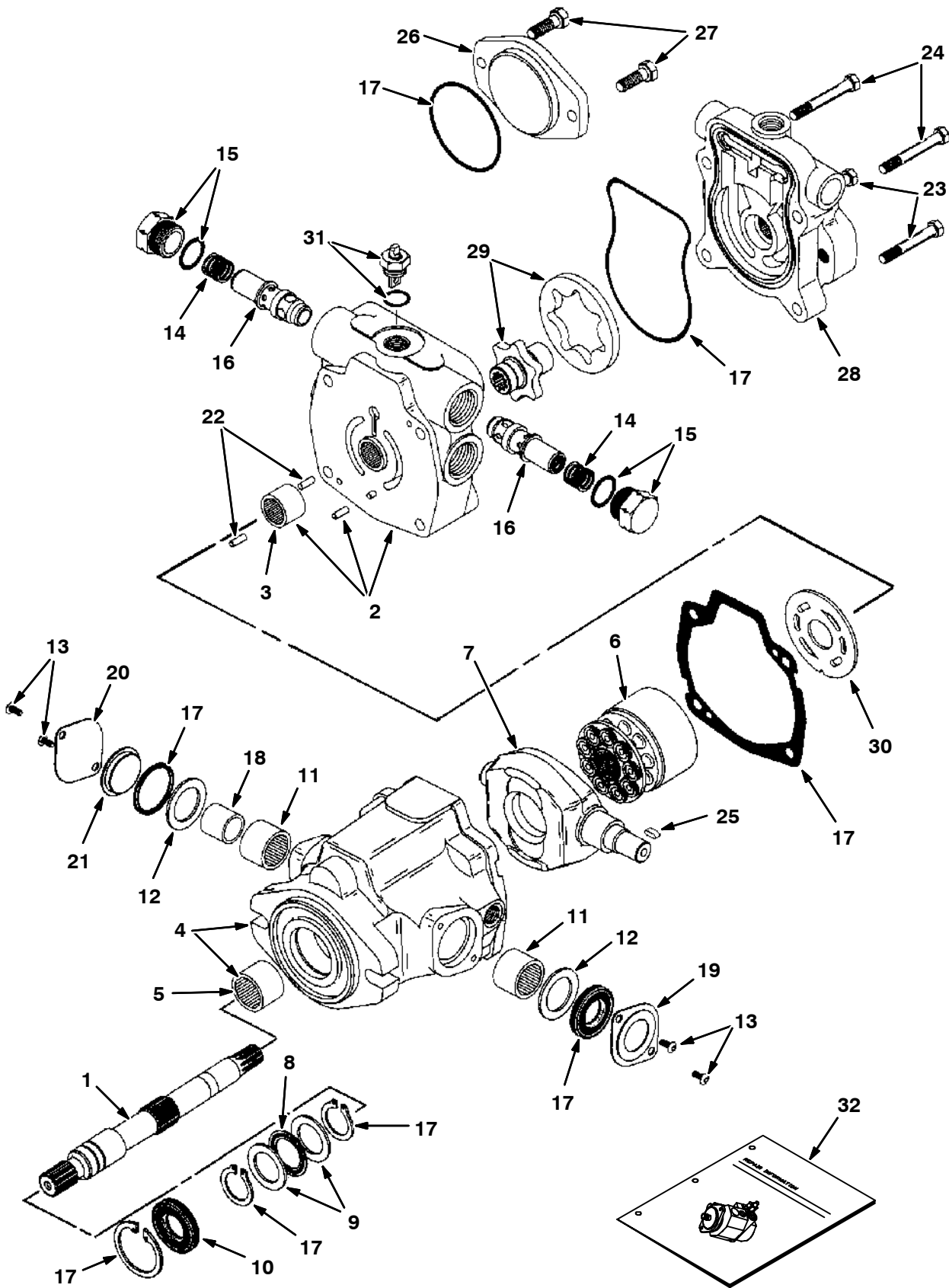


Fig. 13 - Hydraulic Pump Breakdown, 73102

	Ref.	Part No.	Serial Number	Description	Qty.
▽		73102	(000000-	) Pump, Hyd Piston V 1.24	1
▲	1	74221	(000000-	) Shaft, Drive	1
▲	2	70094	(000000-	) Backplate Assy	1
▲	3	55937	(000000-	) Roller Bearing	1
▲	4	70095	(000000-	) Housing Assy, Pump	1
▲	5	55939	(000000-	) Roller Bearing	1
▲	6	02706	(000000-	) Rotating Kit	1
▲	7	57897	(000000-	) Camplate	1
▲	8	74225	(000000-	) Bearing, Thrust	1
▲	9	74226	(000000-	) Race, Bearing	2
▲	10	74227	(000000-	) Spacer	1
▲	11	02709	(000000-	) Bearing Cam	2
▲	12	70097	(000000-	) Washer	2
▲	13	61891	(000000-	) Screws	4
▲	14	74229	(000000-	) Spring	2
▲	15	74230	(000000-	) Plug S/A	2
▲	16	55941	(000000-	) Relief Valve	2
▲	17	70103	(000000-	) Seal Kit, Pump	1
▲	18	02705	(000000-	) Race, Inner Bearing	1
▲	19	52386	(000000-	) Cover	1
▲	20	70098	(000000-	) Cover, Trunion	1
▲	21	70099	(000000-	) Cover, O-Ring	1
▲	22	70100	(000000-	) Pin, Dowel	2
▲	23	74235	(000000-	) Screw, Cap	2
▲	24	70101	(000000-	) Screw, .31-18X3.75	2
▲	25	74237	(000000-	) Key	1
▲	26	74238	(000000-	) Plate, Cover	1
▲	27	74239	(000000-	) Screw, Cap	2
▲	28	55930	(000000-	) Pump Adaptor Assy	1
▲	29	55932	(000000-	) Geroter & Coupler	1
▲	30	374298	(000000-	) Plate Kit, Valve, Replmt	1
▲	31	74469	(000000-	) Valve, Dump	1
▲	32	74248	(000000-	) Repair Info, Pmp CE	1

Fig. 14 - Hydraulic Pump Breakdown, 79770

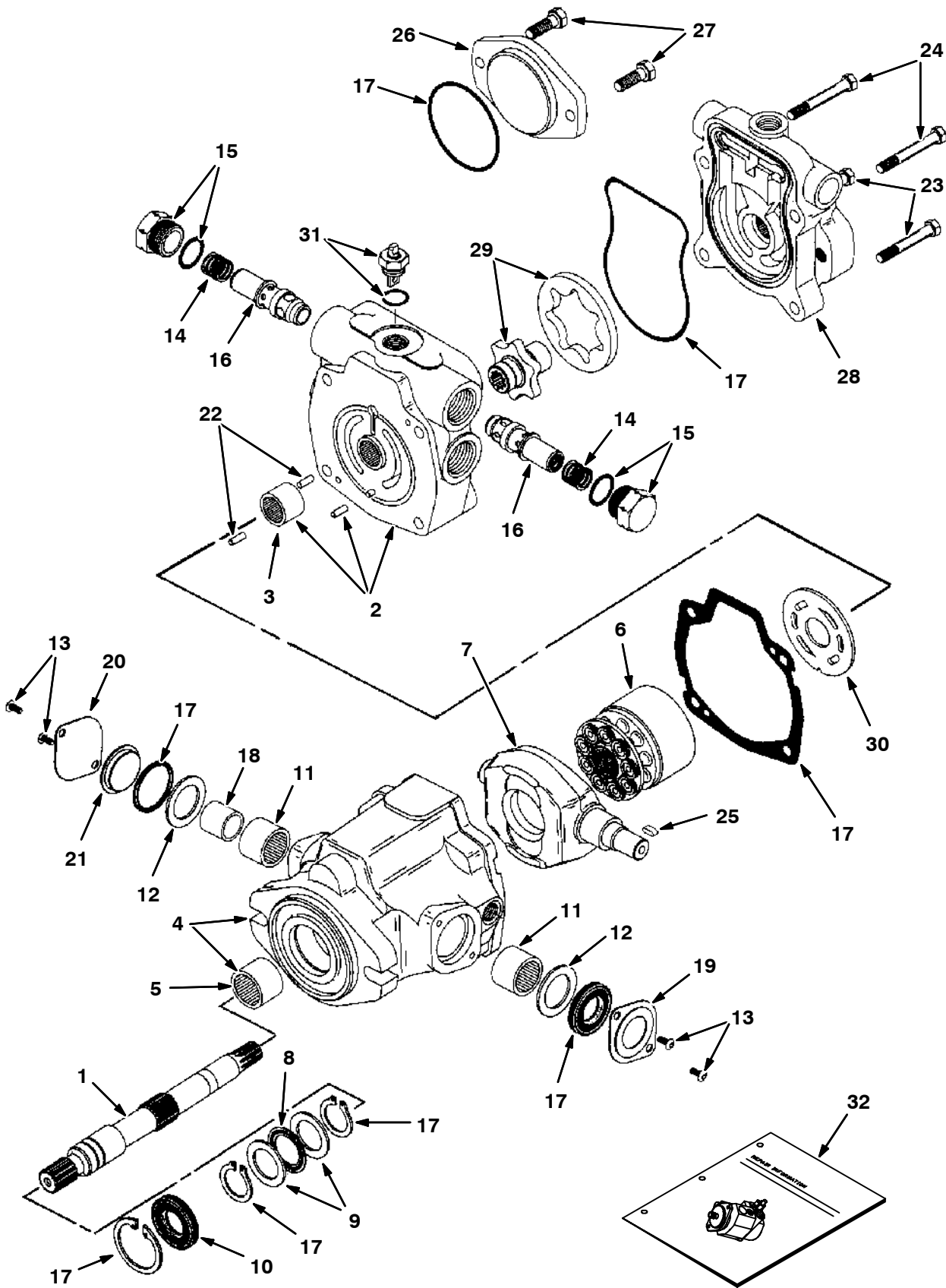


Fig. 14 - Hydraulic Pump Breakdown, 79770

	Ref.	Part No.	Serial Number	Description	Qty.
▽		79770	(000000-	) Pump, Hyd Piston V 1.24 R 4000	1
▲	1	74221	(000000-	) Shaft, Drive	1
▲	2	70094	(000000-	) Backplate Assy	1
▲	3	55937	(000000-	) Roller Bearing	1
▲	4	70095	(000000-	) Housing Assy, Pump	1
▲	5	55939	(000000-	) Roller Bearing	1
▲	6	02706	(000000-	) Rotating Kit	1
▲	7	57897	(000000-	) Camplate	1
▲	8	74225	(000000-	) Bearing, Thrust	1
▲	9	74226	(000000-	) Race, Bearing	2
▲	10	74227	(000000-	) Spacer	1
▲	11	02709	(000000-	) Bearing Cam	2
▲	12	70097	(000000-	) Washer	2
▲	13	61891	(000000-	) Screws	4
▲	14	74229	(000000-	) Spring	2
▲	15	74230	(000000-	) Plug S/A	2
▲	16	55941	(000000-	) Relief Valve	2
▲	17	70103	(000000-	) Seal Kit, Pump	1
▲	18	02705	(000000-	) Race, Inner Bearing	1
▲	19	52386	(000000-	) Cover	1
▲	20	70098	(000000-	) Cover, Trunion	1
▲	21	70099	(000000-	) Cover, O-Ring	1
▲	22	70100	(000000-	) Pin, Dowel	2
▲	23	74235	(000000-	) Screw, Cap	2
▲	24	70101	(000000-	) Screw, .31-18X3.75	2
▲	25	74237	(000000-	) Key	1
▲	26	74238	(000000-	) Plate, Cover	1
▲	27	74239	(000000-	) Screw, Cap	2
▲	28	55930	(000000-	) Pump Adaptor Assy	1
▲	29	55932	(000000-	) Geroter & Coupler	1
▲	30	74180	(000000-	) Plate, Valve	1
▲	31	74469	(000000-	) Valve, Dump	1
▲	32	74248	(000000-	) Repair Info, Pmp CE	1

**Fig. 15 - Hydraulic Piston Pump Breakdown, 373485**

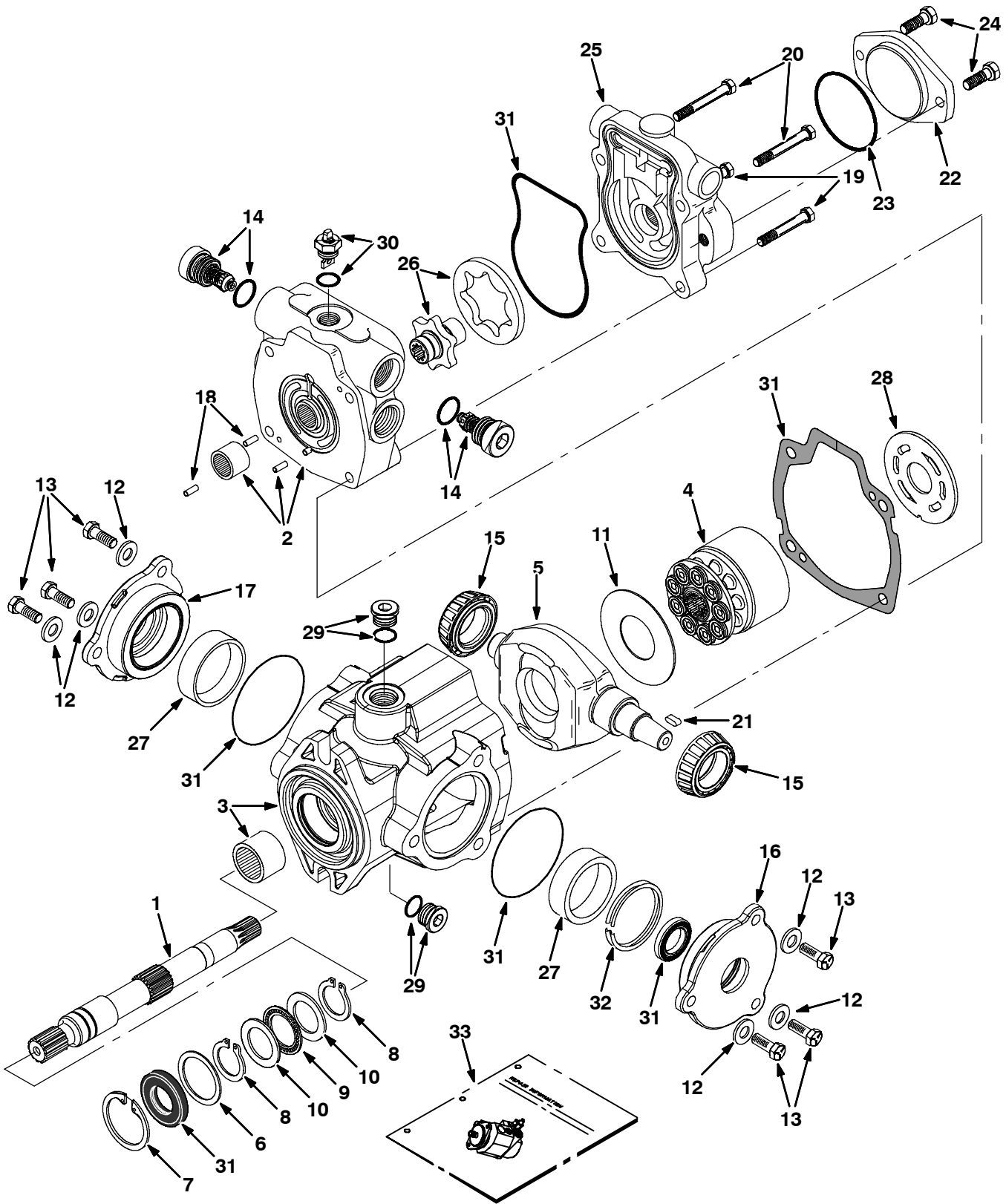


Fig. 15 - Hydraulic Piston Pump Breakdown, 373485

	Ref.	Part No.	Serial Number	Description	Qty.
▽		373485	(000000-	) Pump, Hyd, Piston [V] 1.24 [R] 4000	1
▲	1	373499	(000000-	) Shaft, Drive	1
▲	2	373500	(000000-	) Cover Assy, End	1
▲	3	373501	(000000-	) Housing Assy	1
▲	4	02706	(000000-	) Kit, Rotating, Pump, Hyd [Cessna]	1
▲	5	373493	(000000-	) Plate, Cam	1
▲	6	70096	(000000-	) Washer, Flt, Pump, Hyd	1
▲	7	55926	(000000-	) Ring, Retaining, Pump, Hyd	1
▲	8	373434	(000000-	) Ring, Retaining	2
▲	9	74225	(000000-	) Bearing, Thrust, Pump, Hyd	1
▲	10	74226	(000000-	) Race, Bearing, Pump, Hyd	2
▲	11	373327	(000000-	) Insert, Plate, Cam, Pump, Hyd	1
▲	12	373391	(000000-	) Washer, Pump, Hyd En	6
▲	13	373346	(000000-	) Screw, Cap	6
▲	14	373494	(000000-	) Valve, Relief, 4000 Psi	2
▲	15	373317	(000000-	) Bearing, Cone, Pump, Hyd	2
▲	16	373393	(000000-	) Plate, Cover	1
▲	17	373394	(000000-	) Plate, Cover	1
▲	18	70100	(000000-	) Pin, Dowel, Pump, Hyd	2
▲	19	373336	(000000-	) Screw, Cap, Pump, Hyd	2
▲	20	373337	(000000-	) Screw, Cap, Pump, Hyd	2
▲	21	74237	(000000-	) Key, Shaft, Pump, Hyd	1
▲	22	74238	(000000-	) Plate, Cover	1
▲	23	65145-1	(000000-	) Seal, O-Ring, .069 X 3.06id	1
▲	24	76957	(000000-	) Screw, Hex, .31-18 X 1.50, 5	2
▲	25	373503	(000000-	) Pump Assy, Charging	1
▲	26	55932	(000000-	) Gerotor	1
▲	27	373395	(000000-	) Bearing, Cup	2
▲	28	74180	(000000-	) Plate, Valve, Pump, Hyd	1
▲	29	13907	(000000-	) Fitting, Plug, O-Ring [Eaton]	2
▲	30	373502	(000000-	) Valve Assy, By-Pass	1
▲	31	373398	(000000-	) Kit, Seal, Hyd, Pump	1
▲	32	373402	(000000-	) Kit, Shim	1
▲	33	373429	(000000-	) Instr, Repair, Pump	1

**Fig. 16 - Hydraulic Solenoid Valve Breakdown, 84011**

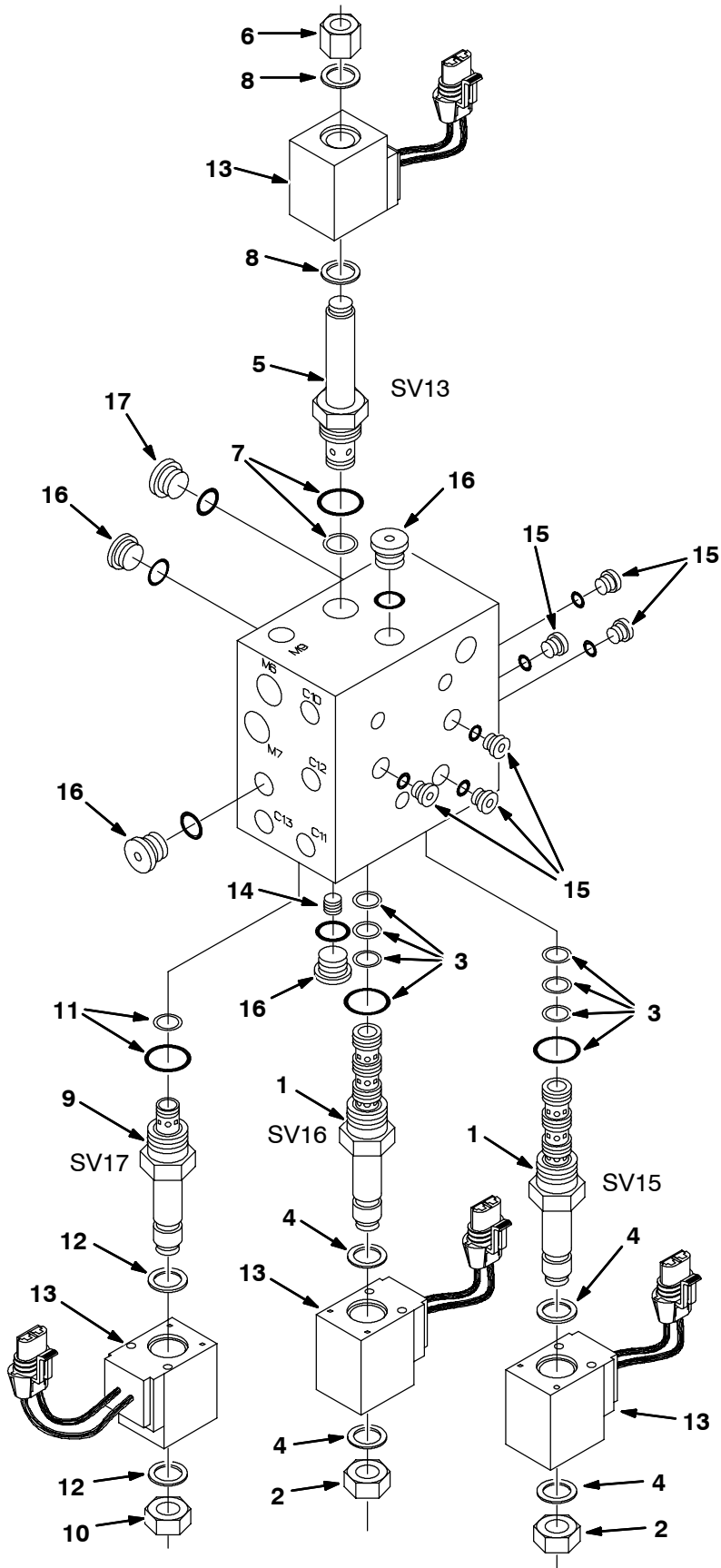




Fig. 16 - Hydraulic Solenoid Valve Breakdown, 84011

	Ref.	Part No.	Serial Number	Description	Qty.
▽		84011	(000000-	) Valve, Hyd Cntrl Sol	1
▲▽	1	79719	(000000-	) Valve Stem 4W2P	2
▲▲	2	79728	(000000-	) Nut, Cart., Sht Cp	1
▲▲	3	79711	(000000-	) Seal Kit, Cart Cp	1
▲▲	4	79740	(000000-	) Seal Kit, Coil Cp	1
▲▽	5	79732	(000000-	) Valve Stem N.O. Cp	1
▲▲	6	79731	(000000-	) Nut, Cart., Lng Cp	1
▲▲	7	79711	(000000-	) Seal Kit, Cart Cp	1
▲▲	8	79740	(000000-	) Seal Kit, Coil Cp	1
▲▽	9	79716	(000000-	) Valve Stem	1
▲▲	10	79728	(000000-	) Nut, Cart., Sht Cp	1
▲▲	11	79711	(000000-	) Seal Kit, Cart Cp	1
▲▲	12	79740	(000000-	) Seal Kit, Coil Cp	1
▲	13	21916	(000000-	) Coil, 12V	4
▲	14	79733	(000000-	) Plug, Orifice Cp	1
▲	15	13902	(000000-	) Plug #2	6
▲	16	74098	(000000-	) Plug #4	4
▲	17	13904	(000000-	) Plug #6	1

**Fig. 17 - Hydraulic Solenoid Valve Breakdown, 84012**

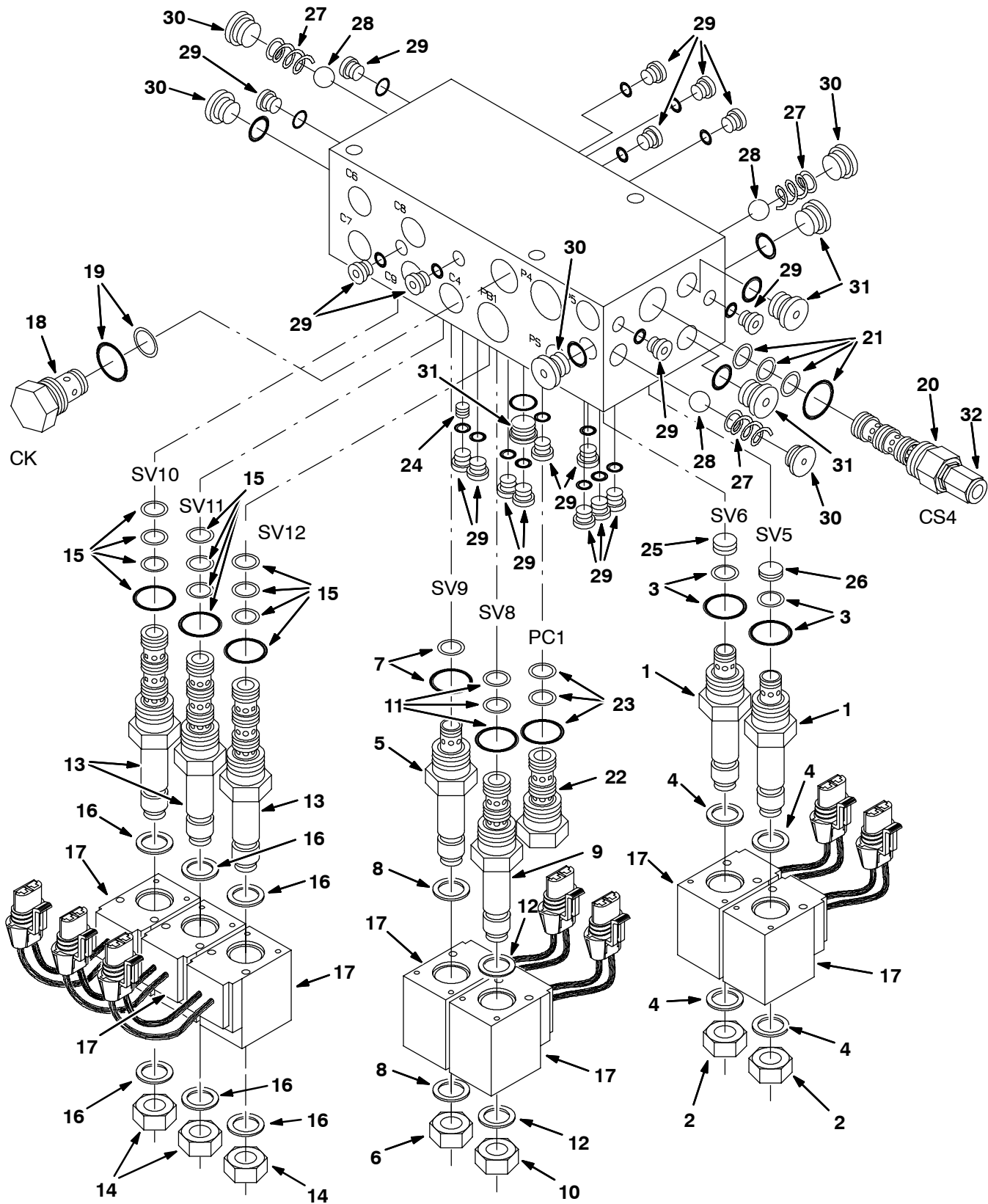


Fig. 17 - Hydraulic Solenoid Valve Breakdown, 84012

	Ref.	Part No.	Serial Number	Description	Qty.
▽		84012	(000000-	) Valve, Hyd Control Sol	1
▲▽	1	79716	(000000-	) Valve Stem	2
▲▲	2	79728	(000000-	) Nut, Cart., Sht Cp	1
▲▲	3	79711	(000000-	) Seal Kit, Cart Cp	1
▲▲	4	79740	(000000-	) Seal Kit, Coil Cp	1
▲▽	5	22758	(000000-	) Valve Stem N.C. Cp	1
▲▲	6	79728	(000000-	) Nut, Cart., Sht Cp	1
▲▲	7	79711	(000000-	) Seal Kit, Cart Cp	1
▲▲	8	79740	(000000-	) Seal Kit, Coil Cp	1
▲▽	9	79718	(000000-	) Valve Stem 3W2P	1
▲▲	10	79728	(000000-	) Nut, Cart., Sht Cp	1
▲▲	11	79711	(000000-	) Seal Kit, Cart Cp	1
▲▲	12	79740	(000000-	) Seal Kit, Coil Cp	1
▲▽	13	79719	(000000-	) Valve Stem 4W2P	3
▲▲	14	79728	(000000-	) Nut, Cart., Sht Cp	1
▲▲	15	79711	(000000-	) Seal Kit, Cart Cp	1
▲▲	16	79740	(000000-	) Seal Kit, Coil Cp	1
▲	17	21916	(000000-	) Coil, 12V	7
▲▽	18	79721	(000000-	) Cart, Check Vlv Cp	1
▲▲	19	79711	(000000-	) Seal Kit, Cart Cp	1
▲▽	20	79722	(000000-	) Cart, Logic Cntl Cp	1
▲▲	21	79711	(000000-	) Seal Kit, Cart Cp	1
▲▽	22	74145	(000000-	) Cart, Pilot Cntr Cp	1
▲▲	23	79711	(000000-	) Seal Kit, Cart Cp	1
▲	24	79723	(000000-	) Plug, Orifice Cp	1
▲	25	79724	(000000-	) Plug, Orifice Cp	1
▲	26	79725	(000000-	) Plug, Orifice Cp	1
▲	27	79726	(000000-	) Spring, Conical Cp	3
▲	28	79727	(000000-	) Ball, .313 Dia. Cp	3
▲	29	13902	(000000-	) Plug #2	17
▲	30	74098	(000000-	) Plug #4	4
▲	31	13904	(000000-	) Plug #6	4
▲	32	79738	(000000-	) Screw, Cap, Valve, Hyd	1

**Fig. 18 - Hydraulic Solenoid Valve Breakdown, 84010**

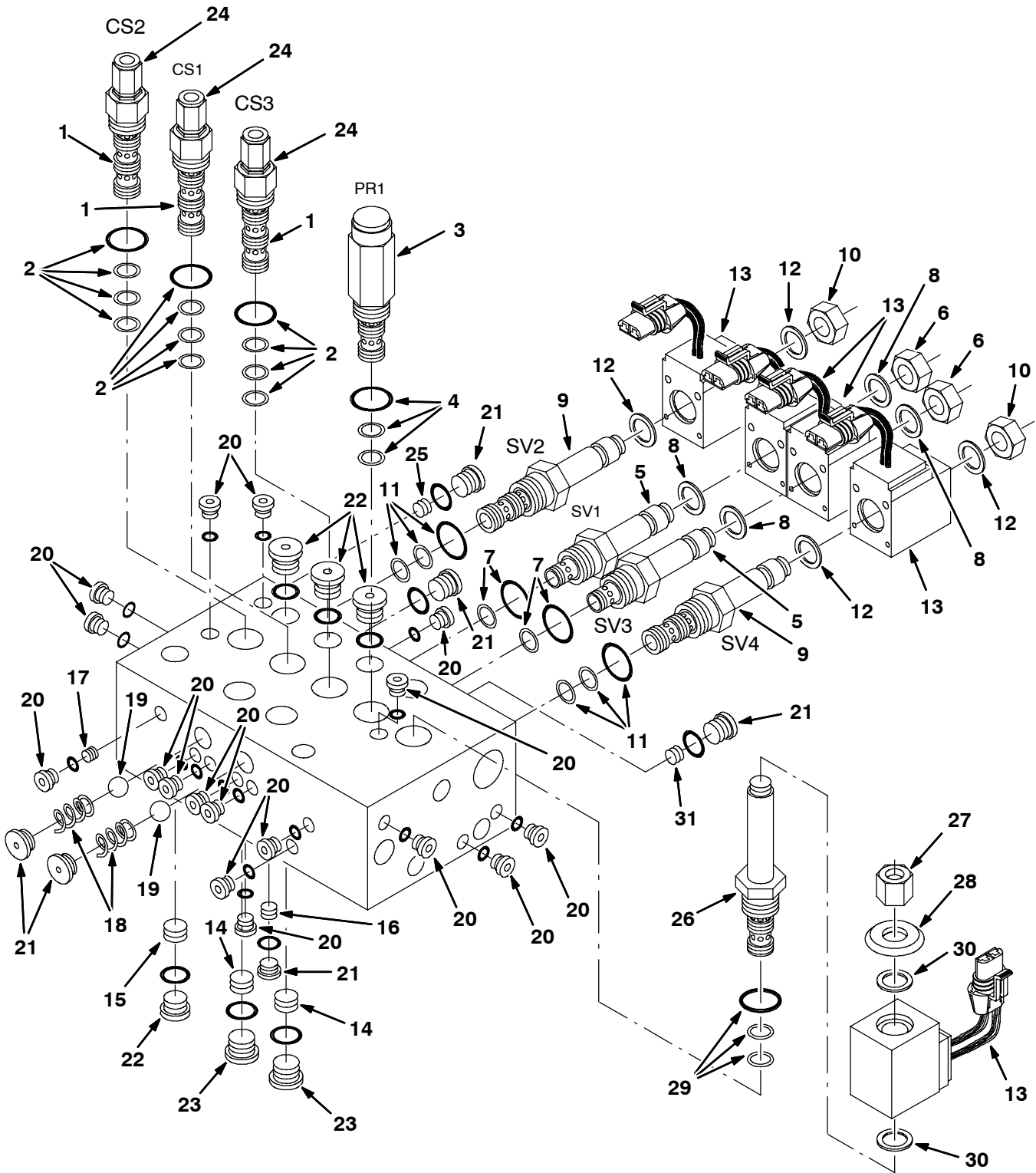


Fig. 18 - Hydraulic Solenoid Valve Breakdown, 84010

	Ref.	Part No.	Serial Number	Description	Qty.
▽		84010	(000000-	) Valve, Hyd Control Sol	1
▲▽	1	79722	(000000-	) Cart,Logic Cntl Cp	3
▲▲	2	79711	(000000-	) Seal Kit, Cart Cp	1
▲▽	3	21977	(000000-	) Cart.Psi Ct Cp	1
▲▲	4	79711	(000000-	) Seal Kit, Cart Cp	1
▲▽	5	79716	(000000-	) Valve Stem	2
▲▲	6	79728	(000000-	) Nut, Cart., Sht Cp	1
▲▲	7	79711	(000000-	) Seal Kit, Cart Cp	1
▲▲	8	79740	(000000-	) Seal Kit, Coil Cp	1
▲▽	9	79718	(000000-	) Valve Stem 3W2P	2
▲▲	10	79728	(000000-	) Nut, Cart., Sht Cp	1
▲▲	11	79711	(000000-	) Seal Kit, Cart Cp	1
▲▲	12	79740	(000000-	) Seal Kit, Coil Cp	1
▲	13	21916	(000000-	) Coil, 12V	5
▲	14	79735	(000000-	) Plug, Orifice Cp	2
▲	15	79736	(000000-	) Plug, Orifice Cp	1
▲	16	79723	(000000-	) Plug, Orifice Cp	1
▲	17	79737	(000000-	) Plug, Orifice Cp	1
▲	18	79726	(000000-	) Spring, Conical Cp	2
▲	19	79727	(000000-	) Ball, .313 Dia. Cp	2
▲	20	13902	(000000-	) Plug #2	22
▲	21	74098	(000000-	) Plug #4	6
▲	22	13904	(000000-	) Plug #6	4
▲	23	13907	(000000-	) Plug #8	2
▲	24	79738	(000000-	) Screw Cap Cp	3
▲▽	25	21922	(000000-	) Plug, Orifice Cp	1
▲▽	26	21931	(000000-	) Cart, Psi Control	1
▲▲	27	79731	(000000-	) Nut, Cart., Lng Cp	1
▲▲	28	21923	(000000-	) Spacer, Coil Cp	1
▲▲	29	79711	(000000-	) Seal Kit, Cart	1
▲▲	30	79740	(000000-	) Seal Kit, Coil	1
▲	31	21920	(000000-	) Plug, Orifice [Cp]	1

**Fig. 19 - Hydraulic Solenoid Valve Breakdown, 1032232**

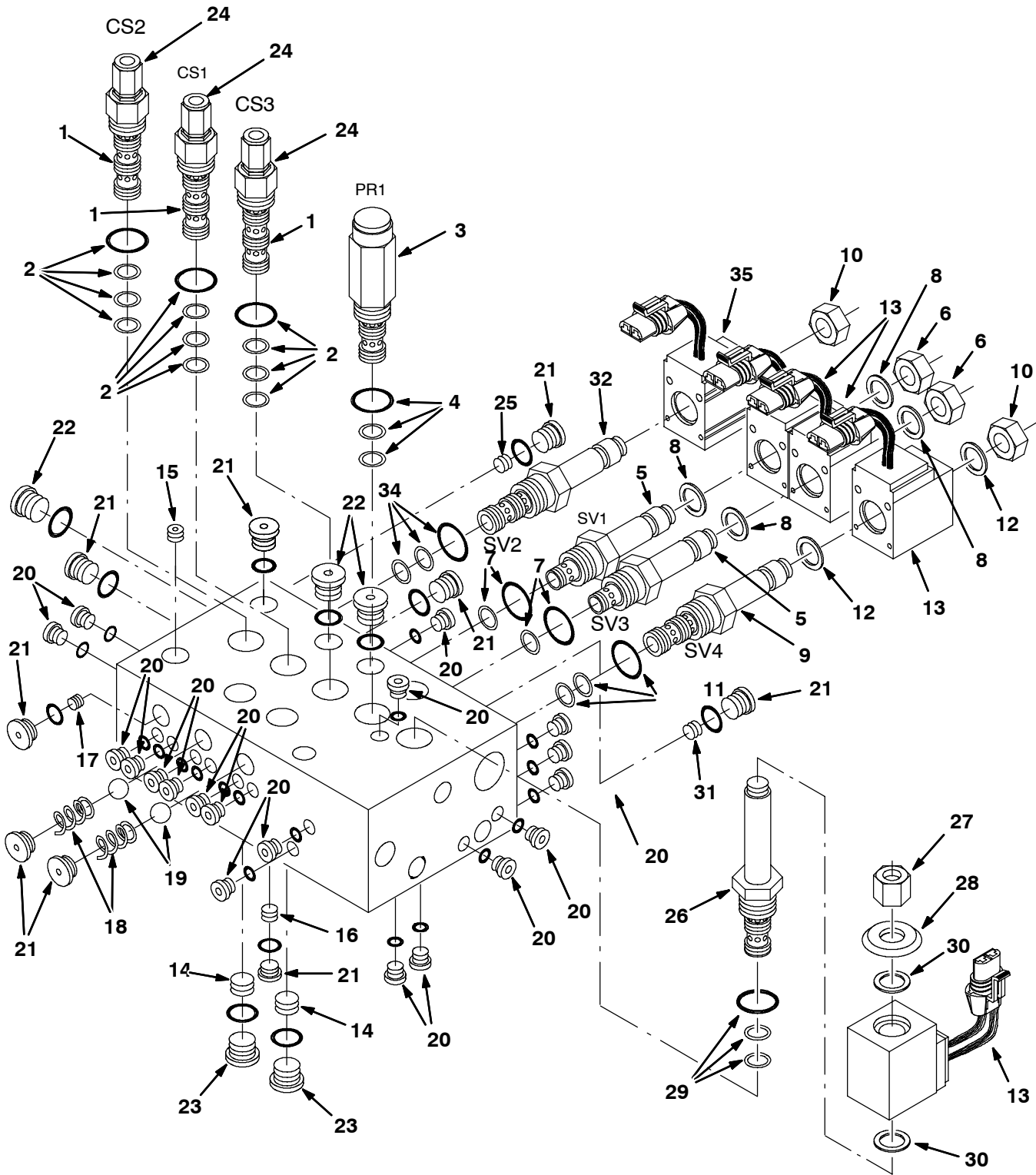


Fig. 19 - Hydraulic Solenoid Valve Breakdown, 1032232

Ref.	Part No.	Serial Number	Description	Qty.
▽	1032232	(000000-	) Valve, Hyd, Solenoid, 12vdc 0280psi	1
▲▽	1 79722	(000000-	) Cart,Logic Cntl Cp	3
▲▲	2 79711	(000000-	) Seal Kit, Cart Cp	1
▲▽	3 21977	(000000-	) Cart.Psi Ct Cp	1
▲▲	4 79711	(000000-	) Seal Kit, Cart Cp	1
▲▽	5 79716	(000000-	) Valve Stem	2
▲▲	6 79728	(000000-	) Nut, Cart., Sht Cp	1
▲▲	7 79711	(000000-	) Seal Kit, Cart Cp	1
▲▲	8 79740	(000000-	) Seal Kit, Coil Cp	1
▲▽	9 79718	(000000-	) Valve Stem 3W2P	1
▲▲	10 79728	(000000-	) Nut, Cart., Sht Cp	1
▲▲	11 79711	(000000-	) Seal Kit, Cart Cp	1
▲▲	12 79740	(000000-	) Seal Kit, Coil Cp	1
▲	13 21916	(000000-	) Coil, 12V	4
▲	14 79735	(000000-	) Plug, Orifice Cp	2
▲	15 373482	(000000-	) Plug, Orifice	1
▲	16 79723	(000000-	) Plug, Orifice Cp	1
▲	17 79737	(000000-	) Plug, Orifice Cp	1
▲	18 79726	(000000-	) Spring, Conical Cp	2
▲	19 79727	(000000-	) Ball, .313 Dia. Cp	2
▲	20 13902	(000000-	) Plug #2	19
▲	21 74098	(000000-	) Plug #4	8
▲	22 13904	(000000-	) Plug #6	3
▲	23 13907	(000000-	) Plug #8	2
▲	24 79738	(000000-	) Screw Cap Cp	3
▲▽	25 373682	(000000-	) Plug, Orifice	1
▲▽	26 21931	(000000-	) Cart, Psi Control	1
▲▲	27 79731	(000000-	) Nut, Cart., Lng Cp	1
▲▲	28 21923	(000000-	) Spacer, Coil Cp	1
▲▲	29 79711	(000000-	) Seal Kit, Cart	1
▲▲	30 79740	(000000-	) Seal Kit, Coil	1
▲	31 21920	(000000-	) Plug, Orifice [Cp]	1
▲▽	32 373624	(000000-	) Valve, Stem, No	1
▲▲	33 373611	(000000-	) Nut, Solenoid	1
▲▲	34 373590	(000000-	) Seal Kit, Cartridge	1
▲	35 373622	(000000-	) Solenoid, 12vdc, W/ Mp	1

**Fig. 20 – Extended Scrub Pump Breakdown, 379001**

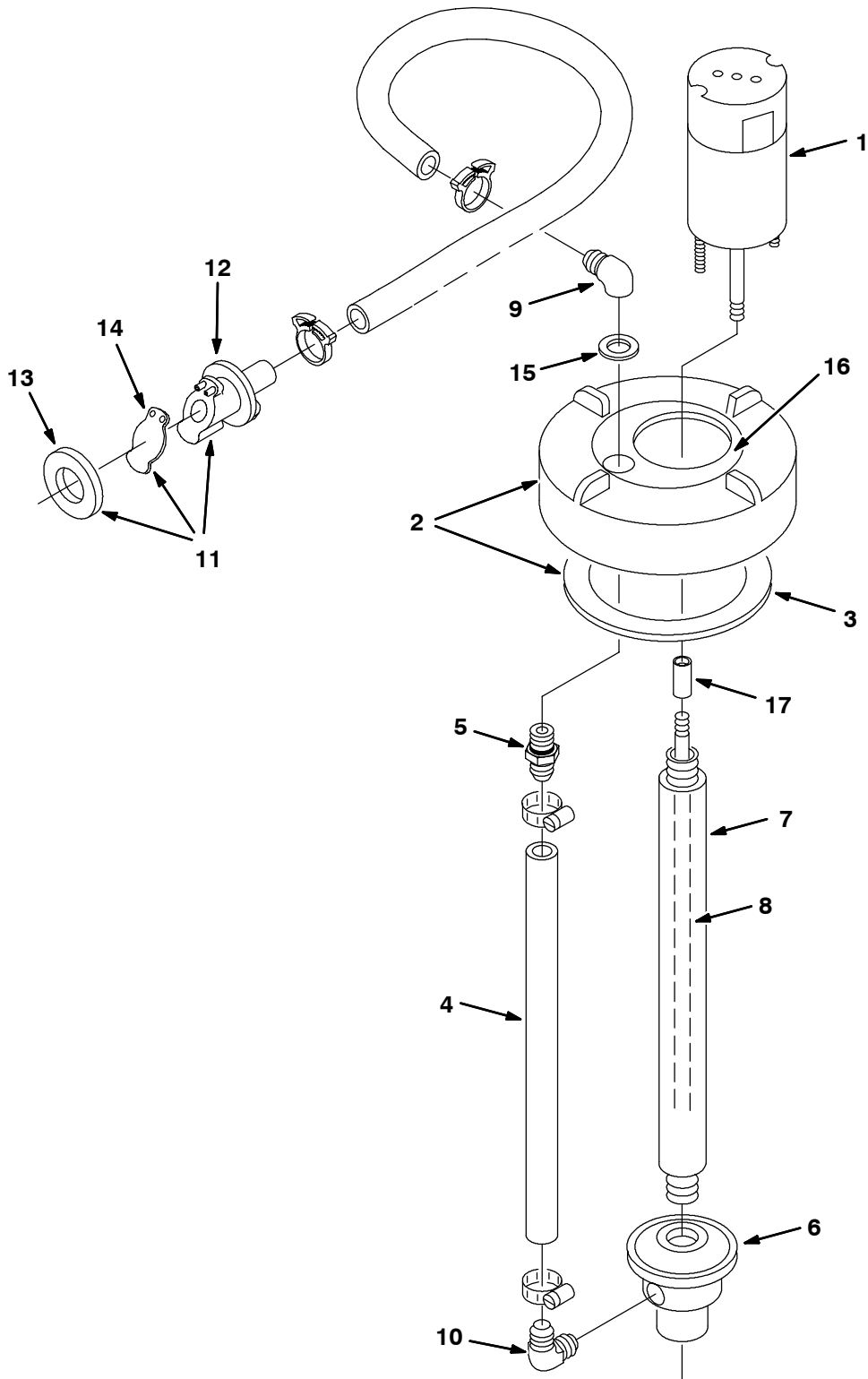




Fig. 20 – Extended Scrub Pump Breakdown, 379001

	Ref.	Part No.	Serial Number	Description	Qty.
▽		379001	(000000-	) Pump, Column, Es	1
▲▽	1	23282	(000000-	) Motor 12V Dc	1
▲▲		78829	(000000-	) Brush Kit	1
▲	2	24358	(000000-	) Cap Assy, Tank	1
▲	3	1031699	(000000-	) Gasket, 4.05id 5.29od .19 [Buna]	1
▲	4	78833	(000000-	) Tubing, Vinyl	1
▲	5	78398	(000000-	) Fitting, Plstc, Str	1
▲	6	78843	(000000-	) Pump Body Kit	1
▲	7	78836	(000000-	) Column, Pump	1
▲	8	23283	(000000-	) Pump Shaft	1
▲	9	78838	(000000-	) Fitting, Elbow Gr	1
▲	10	78839	(000000-	) Fitting, Elbow Gr	1
▲▽	11	78842	(000000-	) Check Valve Kit	1
▲▲	12	78840	(000000-	) Valve, Check	1
▲▲	13	73342	(000000-	) Gasket, Check Valve	1
▲▲	14	78841	(000000-	) Flapper, Valve	1
▲	15	78830	(000000-	) Washer, Rubber	1
▲	16	22790	(000000-	) Insert, Cap	1
▲	17	23285	(000000-	) Sleeve Gr	1

**Fig. 21 - Extended Scrub Pump Breakdown, 20891**

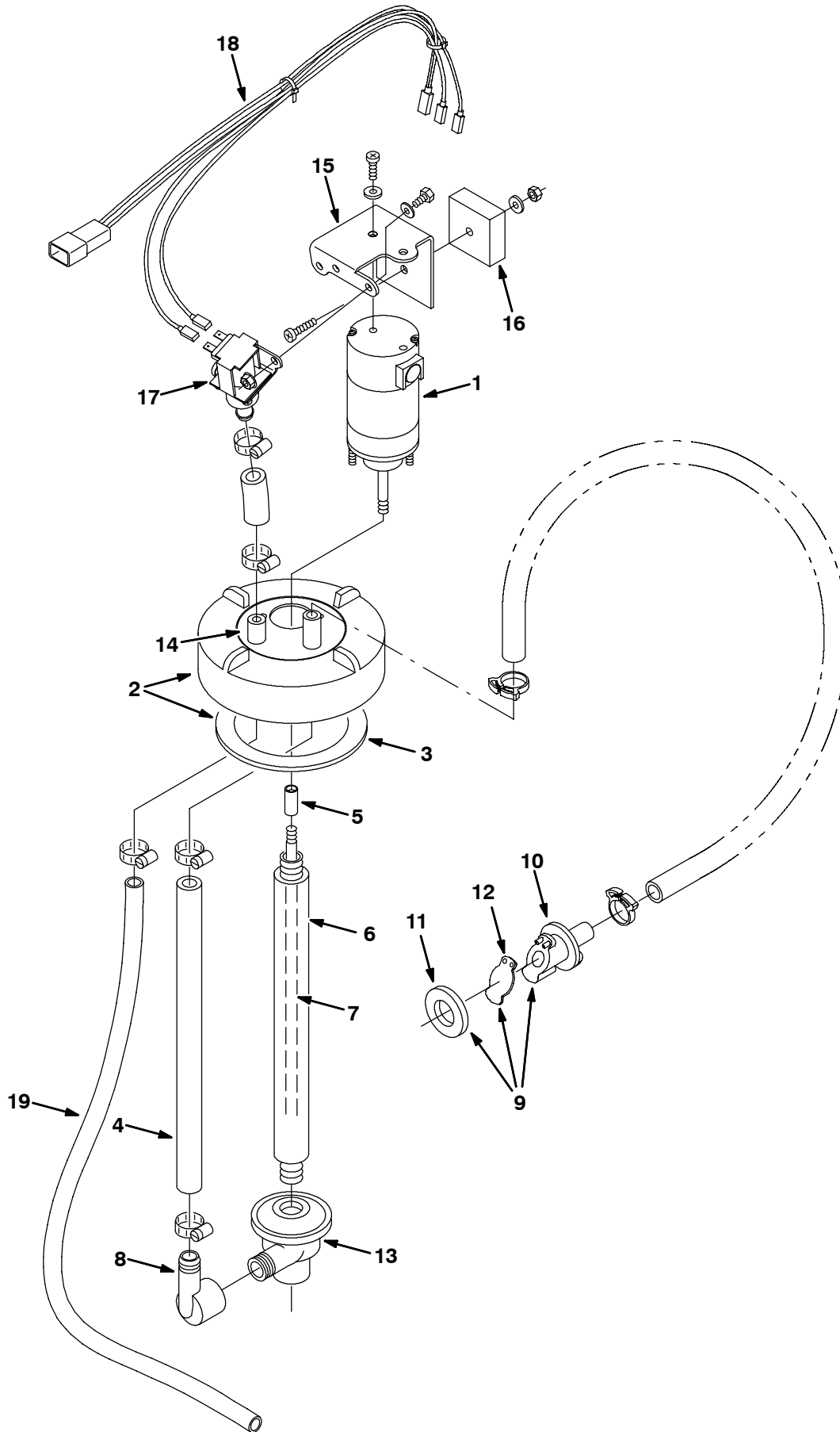


Fig. 21 - Extended Scrub Pump Breakdown, 20891

	Ref.	Part No.	Serial Number	Description	Qty.
▽		20891	(000000-	) Pump, Water	1
▲▽	1	23282	(000000-	) Motor 12V Dc	1
▲▲		78829	(000000-	) Kit, Brush	1
▲▽	2	24358	(000000-	) Cap, Tank	1
▲▲	3	1031699	(000000-	) Gasket, 4.05id 5.29od .19 [Buna]	1
▲	4	78833	(000000-	) Tubing, Vinyl	1
▲	5	23285	(000000-	) Sleeve	1
▲	6	78836	(000000-	) Column	1
▲	7	23283	(000000-	) Shaft, Pump	1
▲	8	78839	(000000-	) Fitting	1
▲▽	9	78842	(000000-	) Check Valve Kit	1
▲▲	10	78840	(000000-	) Valve, Check	1
▲▲	11	73342	(000000-	) Gasket	1
▲▲	12	78841	(000000-	) Flapper, Valve	1
▲	13	78843	(000000-	) Pump Body Kit	1
▲	14	20892	(000000-	) Backflush,Cover Lid	1
▲	15	20885	(000000-	) Bracket, Solenoid Valve	1
▲	16	20989	(000000-	) Timer, Backflush	1
▲	17	369850	(000000-	) Valve, Water, Sol, 12vdc, 10bm/10bm	1
▲	18	20988	(000000-	) Wireharness, Backflush	1
▲	19	20778	(000000-	) Hose, Vinyl, Clear	1

**Fig. 22 - Extended Scrub Pump Breakdown, 1021210**

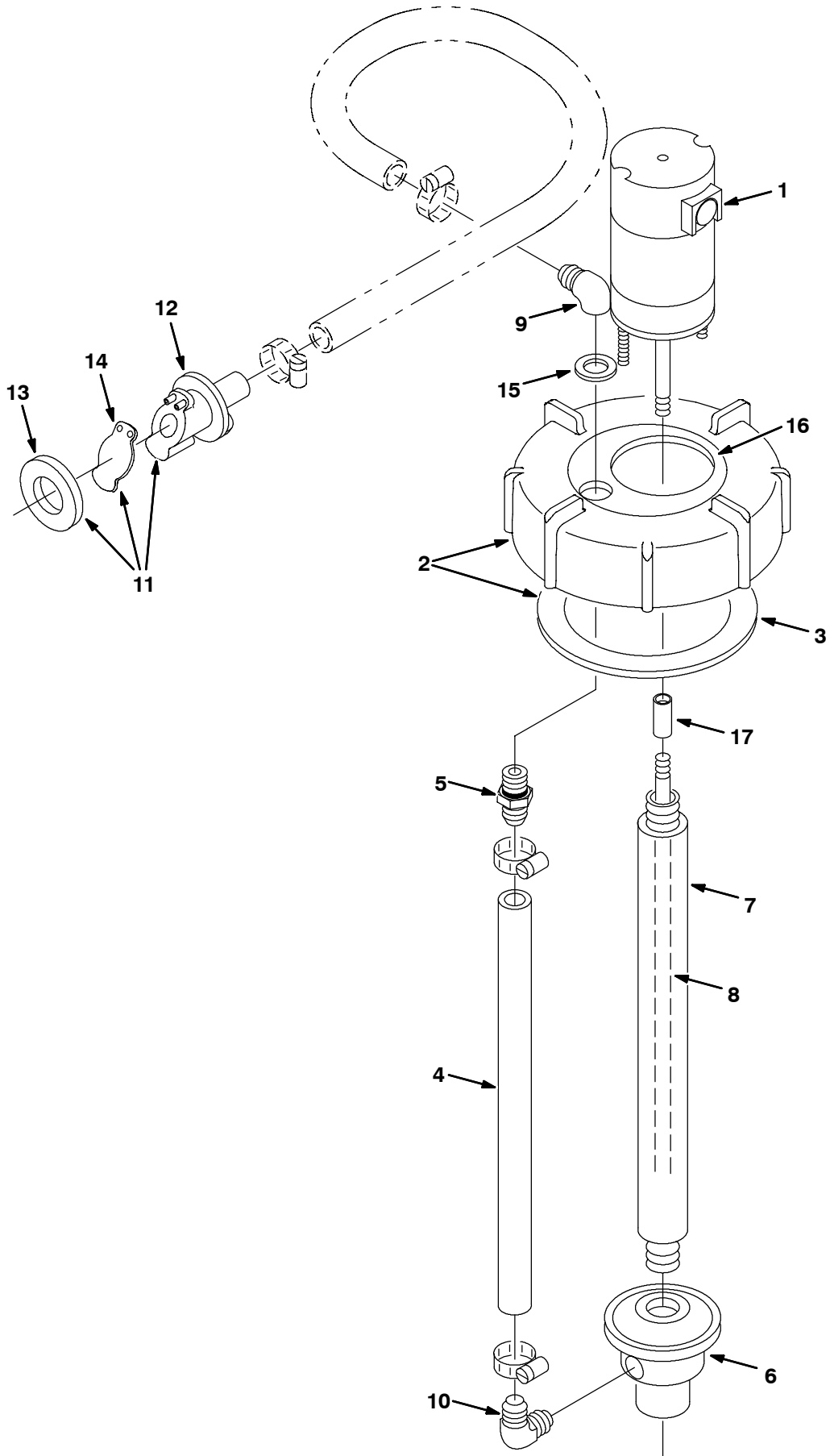
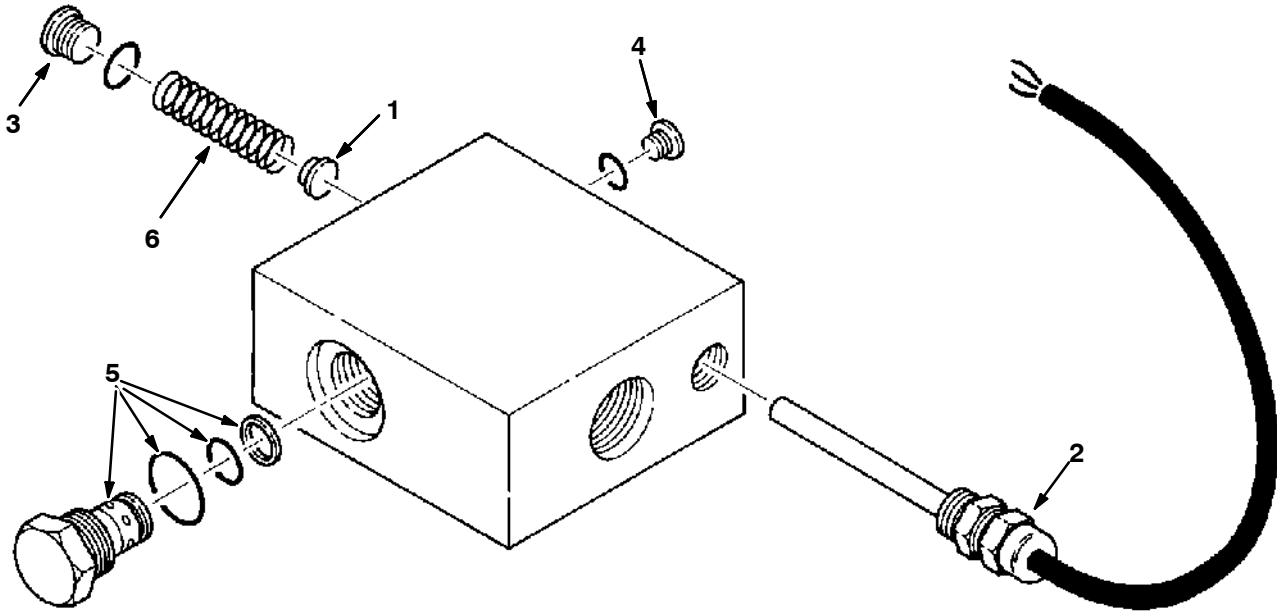


Fig. 22 - Extended Scrub Pump Breakdown, 1021210

	Ref.	Part No.	Serial Number	Description	Qty.
▽		1021210	(000000-	) Pump Assy, Column, Es	1
▲▽	1	9002708	(000000-	) Motor, Ele, 12vdc, Pump, Water	1
▲▲		78829	(000000-	) Kit, Brush, Motor, Ele	1
▲▽	2	24358	(000000-	) Cap Assy, Tank, Drain	1
▲▲	3	1031699	(000000-	) Gasket, 4.05id 5.29od .19 [Buna]	1
▲	4	78833	(000000-	) Tube, Vinyl, Pump, Water	1
▲	5	78398	(000000-	) Fitting, Plstc, Str, Bm12/Pm08, Nyl	1
▲	6	78843	(000000-	) Housing Kit, Pump, Water	1
▲	7	78836	(000000-	) Column, Pump, Water	1
▲	8	9002709	(000000-	) Shaft, Pump, Water	1
▲	9	78838	(000000-	) Fitting, E, Gr	1
▲	10	78839	(000000-	) Fitting, Plstc, E90, Pf Bm [Es Pump]	1
▲▽	11	78842	(000000-	) Kit, Valve, Check, Pump, Water	1
▲▲	12	78840	(000000-	) Valve, Check, Pump, Water	1
▲▲	13	73342	(000000-	) Gasket, .25 1.88d 1.0id [Poron]	1
▲▲	14	78841	(000000-	) Flapper, Valve, Pump, Water	1
▲	15	78830	(000000-	) Washer, Rbr	1
▲	16	22790	(000000-	) Insert, Cap, Mount, Es Pump	1
▲	17	23285	(000000-	) Sleeve, Pump, Water	1

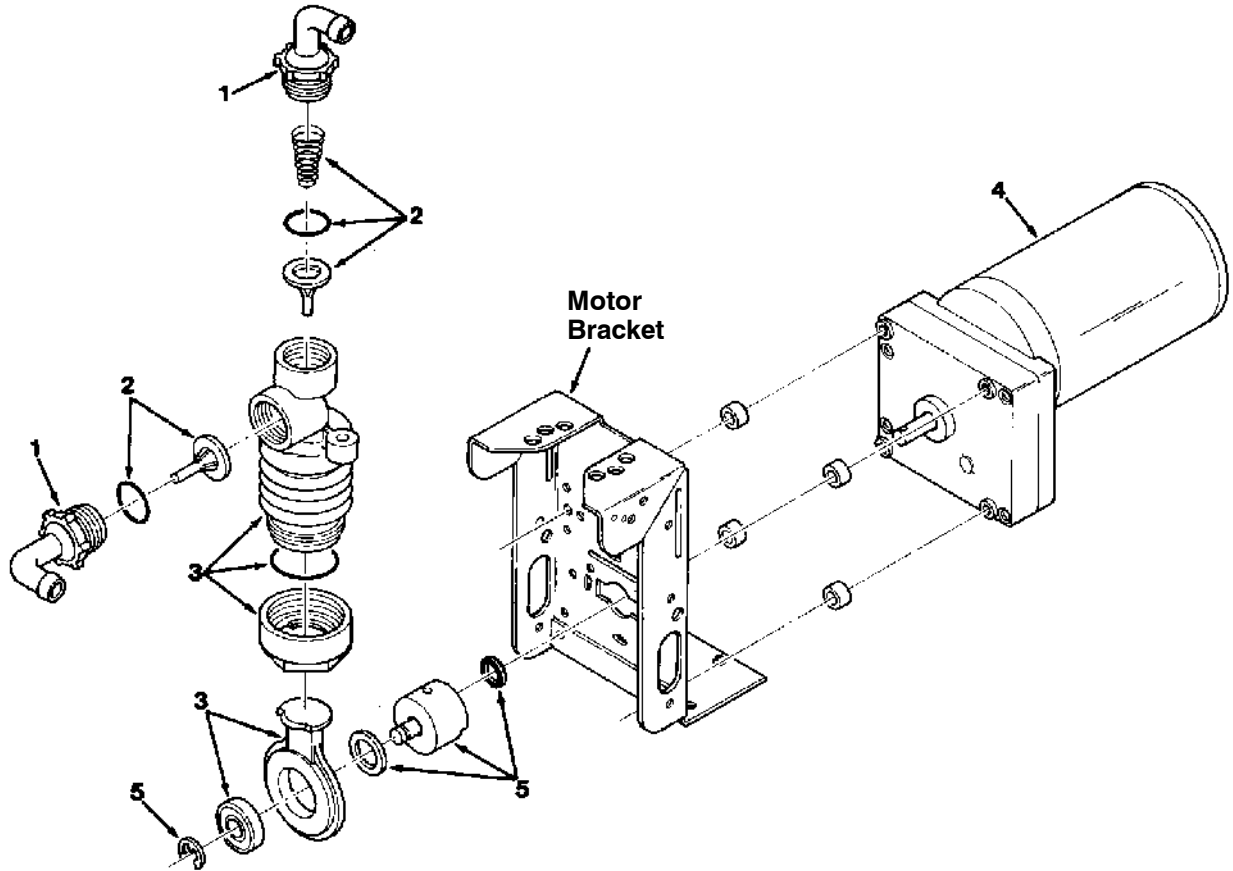
**Fig. 23 - Hydraulic Flow Sensor Switch Breakdown, 73430**



10854 - ALL

Ref.	Part No.	Serial Number	Description	Qty.	
▽	73430	(000000-	) Switch, Hyd Flow Sensor	1	
▲	1	79713	(000000-	) Cushion, Piston	1
▲	2	79714	(000000-	) Switch Assy	1
▲	3	13904	(000000-	) Plug Gage #6	1
▲	4	13902	(000000-	) Plug #2	1
▲	5	79710	(000000-	) Cart, Check Vlv	1
▲	6	79715	(000000-	) Spring	1

**Fig. 24 - Metering Solution Pump Breakdown, 73260**



00112 - ALL

Ref.	Part No.	Serial Number	Description	Qty.
▽	73260	(000000-	) Pump, Detergent Metering	1
▲	1 63923	(000000-	) Tubing Connctr.Kit, Pmp	1
▲	2 21659	(000000-	) Valve Kit, Poppet	1
▲	3 21657	(000000-	) Bellows Kit Gr	1
▲	4 78875	(000000-	) Gear Motor Assy	1
▲	5 02430	(000000-	) Crank Replmt.Kit,Pump F/79323	1





## SECTION 5

Contents	Page
Fig. 1 - Crankcase .....	5-2
Fig. 2 - Oil Pan .....	5-4
Fig. 3 - Cylinder Head .....	5-5
Fig. 4 - Gear Case .....	5-6
Fig. 5 - Head Cover Group (000000-014132) ..	5-8
Fig. 6 - Head Cover Group (014133- ) ..	5-10
Fig. 7 - Main Bearing Case Group .....	5-12
Fig. 8 - Camshaft Group .....	5-14
Fig. 9 - Piston And Crankshaft .....	5-16
Fig. 10 - Dipstick And Guide .....	5-18
Fig. 11 - Flywheel .....	5-19
Fig. 12 - Fuel Camshaft .....	5-20
Fig. 13 - Engine Stop Level .....	5-21
Fig. 14 - Injection Pump (Component Parts) ...	5-22
Fig. 15 - Injection Pump Assembly .....	5-24
Fig. 16 - Governor Group .....	5-25
Fig. 17 - Speed Control Plate Group .....	5-26
Fig. 18 - Nozzle Holder And Glow Plug Group .	5-27
Fig. 19 - Fuel Pump Cover Group .....	5-28
Fig. 20 - Alternator Arm and Pulley Group .....	5-29
Fig. 21 - Starter Group .....	5-30
Fig. 22 - Plug Group .....	5-31
Fig. 23 - Water Flange and Thermostat Group .	5-32
Fig. 24 - Water Pump Group .....	5-33
Fig. 25 - Valve and Rocker Arm Group .....	5-34
Fig. 26 - Exhaust Manifold Group .....	5-35
Fig. 27 - Inlet Manifold Group .....	5-36

Fig. 1 - Crankcase Group

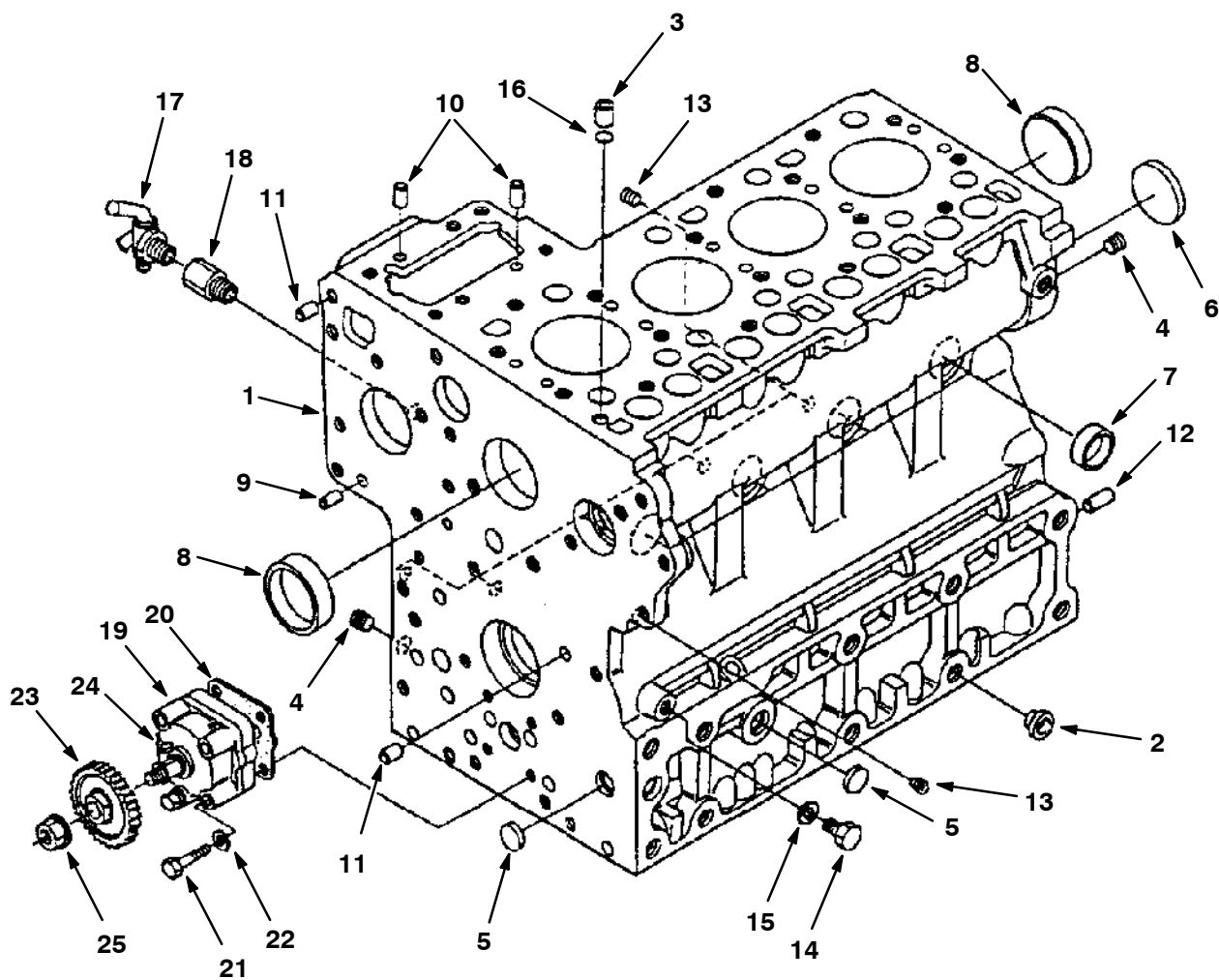
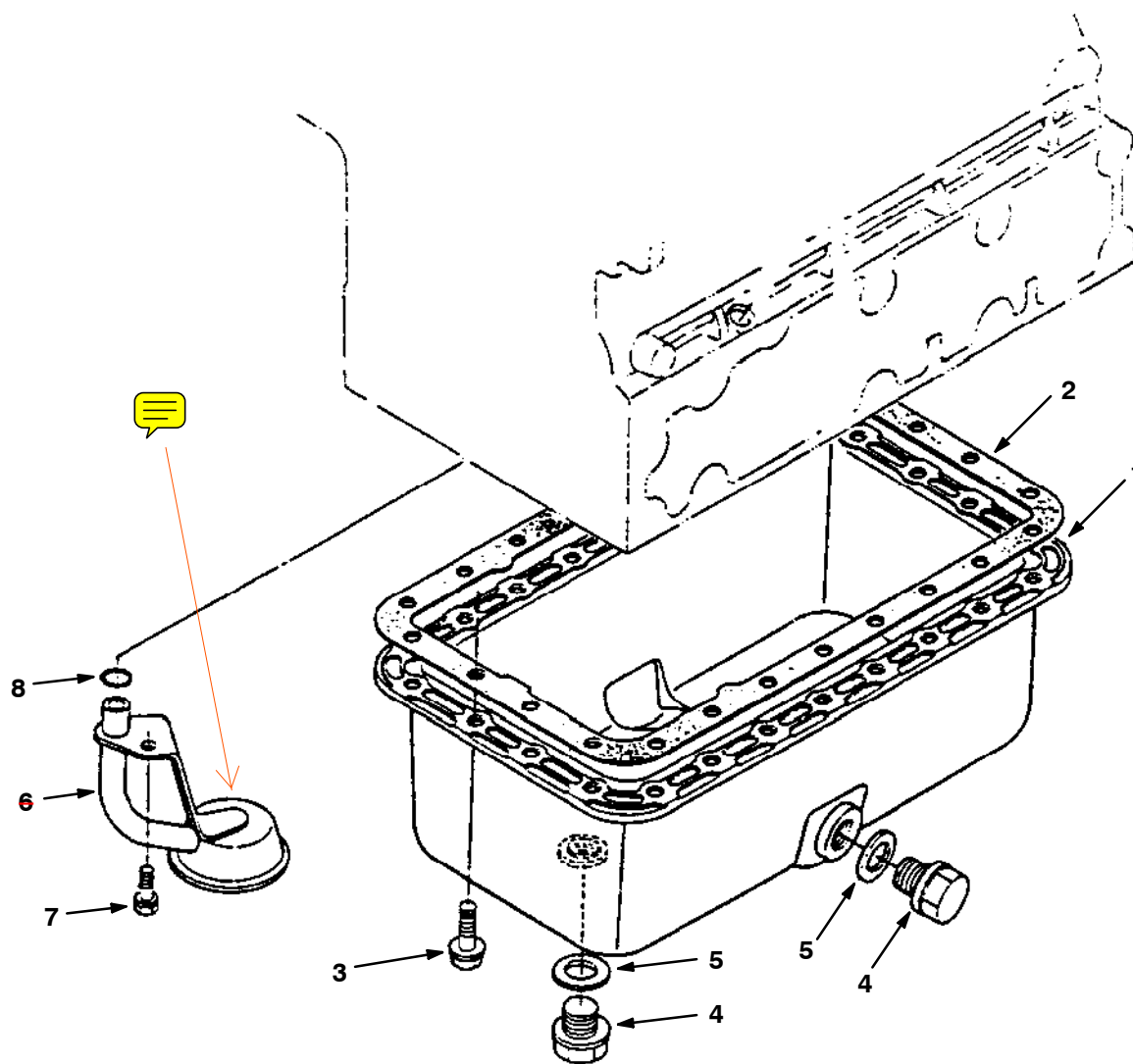


Fig. 1 - Crankcase Group

	Ref.	Part No.	Description	Qty.
▽	1	20135	Comp. Crankcase	1
▲	2	20739	Plug, Blind	2
▲	3	39060	Pin, Pipe	1
	4	39052	Plug	2
	5	30071	Plug	3
	6	30070	Plug	1
	7	39054	Cap, Sealing	6
	8	39055	Cap, Sealing	2
	9	39056	Pin, Straight	2
	10	39057	Pin, Straight	2
	11	39058	Pin, Straight	2
	12	39059	Pin, Straight	1
	13	39051	Plug	6
	14	39062	Plug	1
	15	10895	Gasket	1
	16	39063	O Ring	1
	17	41787	Cock, Drain	1
	18	39061	Joint, Drain Cock	1
	19	30068	Assy Pump, Oil	1
	20	12709	Gasket, Oil Pump	1
	21	41789	Bolt	4
	22	39065	Washer, Spring	4
	23	39066	Gear, Oil Pump Drive	1
	24	39067	Key, Feather	1
	25	391809	Nut, Flange	1

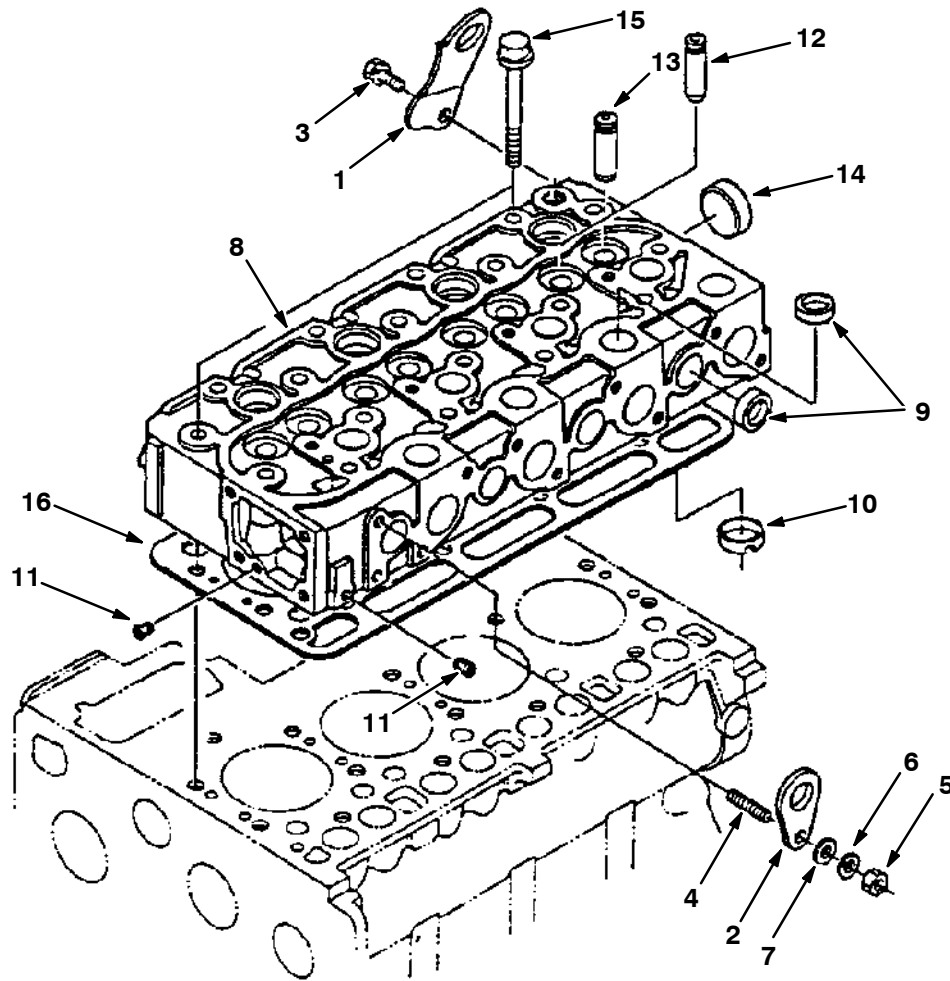
Fig. 2 - Oil Pan Group



09378 - D

Ref.	Part No.	Description	Qty.
1	41790	Comp. Oil Pan, Shallow	1
2	41791	Gasket, Oil Pan	1
3	31286	Bolt, Flange	24
4	70890	Plug, Drain	2
5	70891	Gasket	2
6	<del>55849</del>	<del>Filter, Oil</del>	<del>1</del>
7	39094	Bolt	1
8	41792	O-Ring	1

Fig. 3 - Cylinder Head Group



09379 - D

Ref.	Part No.	Description	Qty.
1	20746	Hook, Engine	1
2	39093	Hook, Engine	1
3	39094	Bolt	1
4	39139	Stud	1
5	39096	Nut	1
6	39097	Washer, Spring	1
7	39148	Washer, Plain	1
8	20747	Comp. Cylinder Head <sup>①</sup>	1
▽ 8	372925	Head, Cyl <sup>②</sup>	1
▲ 9	30053	Cap, Sealing	12
▲ 10	20749	Combustion Chamber	4
▲ 11	39088	Plug	2
▲ 12	20748	Guide. Inlet Valve	4
▲ 13	31291	Guide, Exhaust Valve	4
14	39087	Cap, Sealing	1
15	391835	Bolt. Cylinder Head	18
16	20750	Gasket, Cylinder Head	1

① Tennant Serial Number (000000-014132)

② Tennant Serial Number (014133- )

Fig. 4 - Gear Case Group

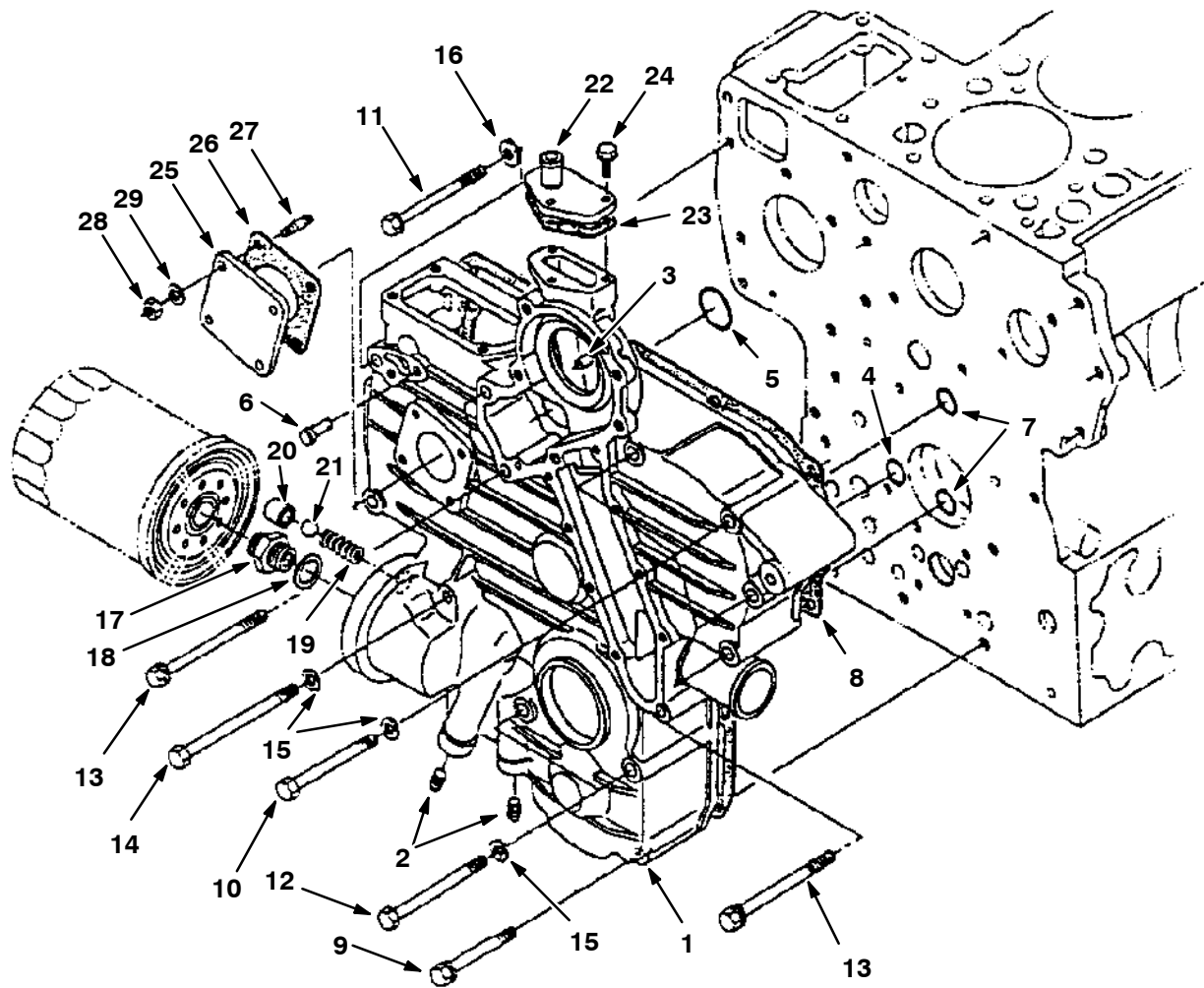


Fig. 4 - Gear Case Group

	Ref.	Part No.	Description	Qty.
▽	1	20742	Assy Case, Gear	1
▲	2	31294	Plug	2
▲	3	39058	Pin, Straight	2
	4	20744	O Ring	1
	5	39104	O Ring	1
	6	39105	Pin. Start	1
	7	39103	O Ring	5
	8	20745	Packing, Gear Case	1
	9	39106	Bolt	2
	10	39107	Bolt	5
	11	31298	Bolt	1
	12	39109	Bolt	2
	13	31299	Bolt	3
	14	39112	Bolt	2
	15	39097	Washer, Spring	9
	16	39148	Washer, Plain	1
	17	39113	Joint, Pipe	1
	18	39114	Washer, Plain	1
	19	39115	Spring	1
	20	39116	Seat, Valve	1
	21	39117	Ball	1
	22	39118	Flange. Water Return	1
	23	10903	Gasket	1
	24	39119	Bolt	3
	25	39122	Cover	1
	26	12796	Gasket, H/Meter Unit	1
	27	39120	Stud	4
	28	39121	Nut	4
	29	39065	Washer, Spring	4

Fig. 5 - Head Cover Group (000000-014132)

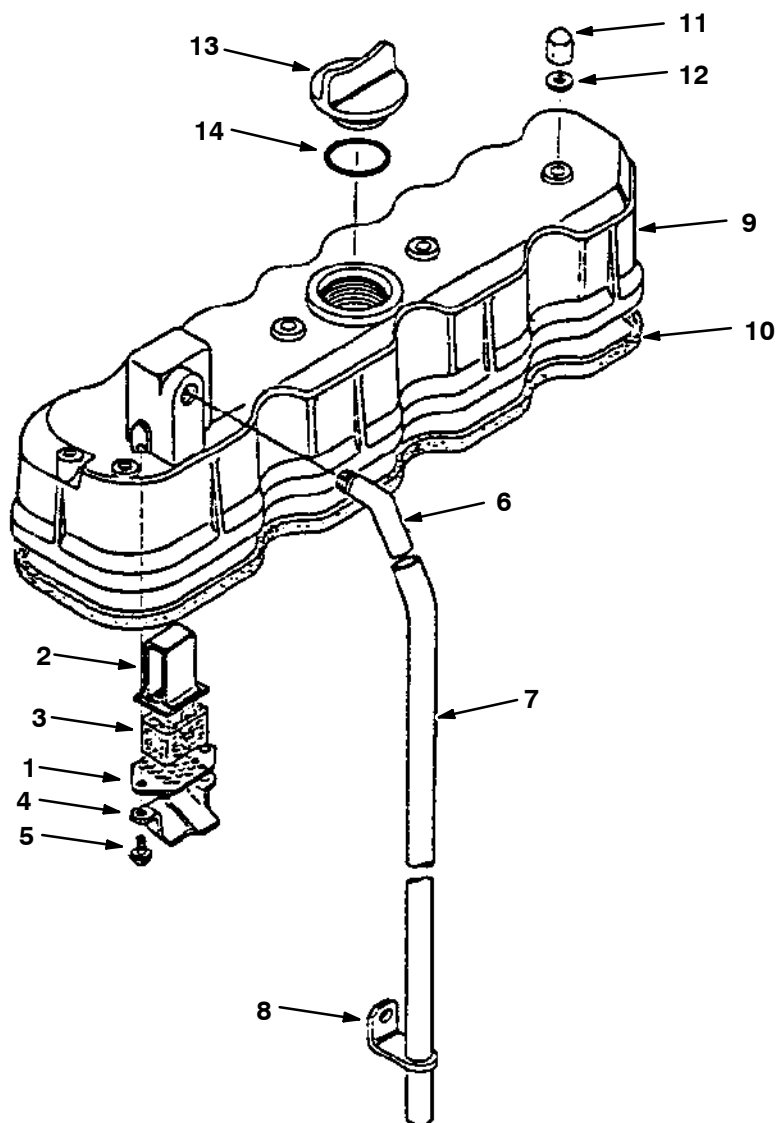


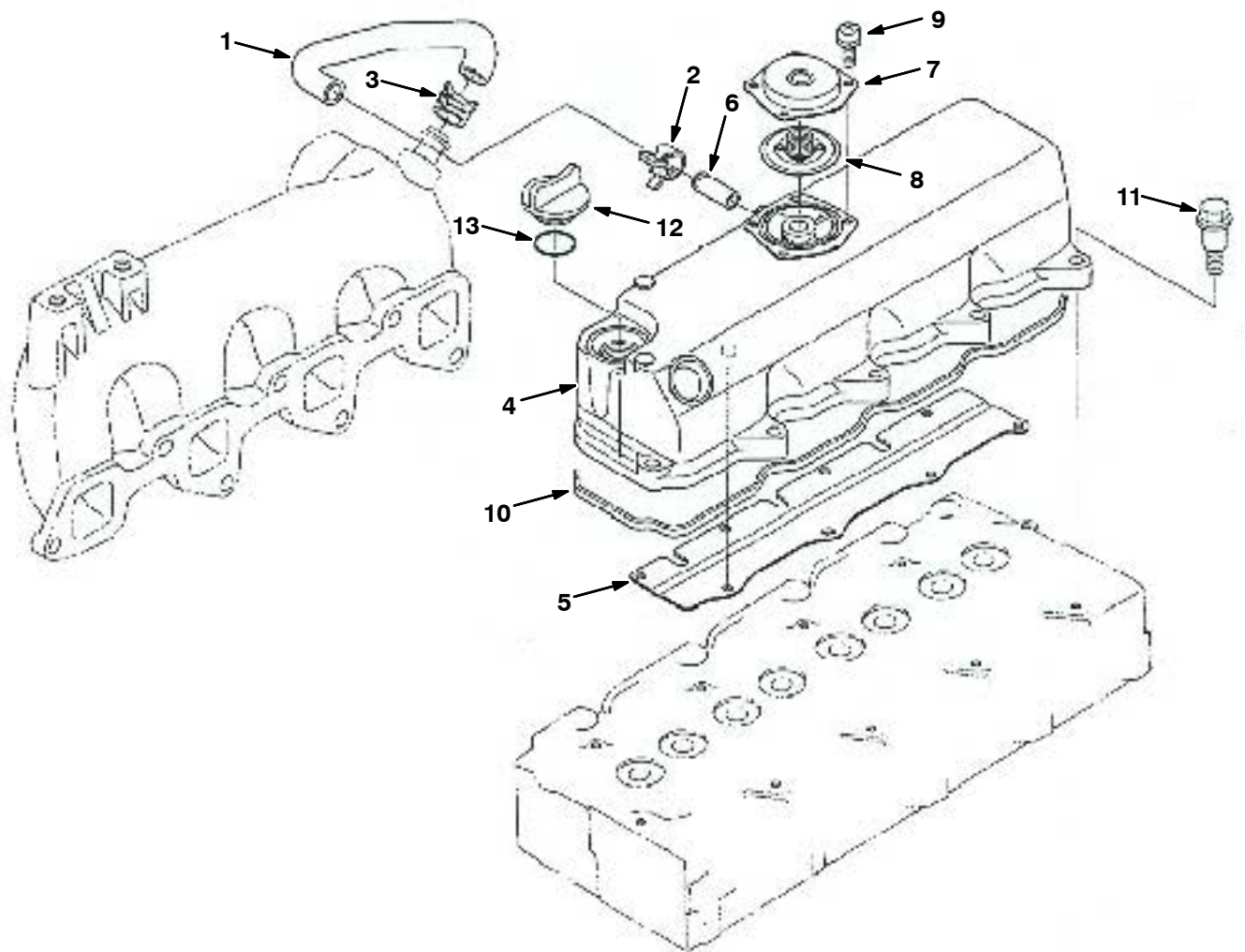


Fig. 5 - Head Cover Group (000000-014132)

Ref.	Part No.		Description	Qty.
1	39170	①	Plate, Element	1
2	39171	①	Plate, Element	1
3	39172	①	Element, Breather	1
4	39173	①	Oil Shield, Breather	1
5	39174	①	Screw, With Washer	2
6	39175	①	Joint, Breather Pipe	1
7	39176	①	Pipe, Breather	1
8	39177	①	Clamp, Pipe	1
9	41806	①	Cover, Cyl. Head	1
10	41807	①	Gasket, Head Cover	1
11	39158	①	Nut, Cap	4
12	10895	①	Gasket	4
13	39161	①	Plug, Oil Filler	1
14	39162	①	O Ring	1

① Tennant Serial Number (000000-014132)

Fig. 6 - Head Cover Group (014133- )



**Fig. 6 - Head Cover Group (014133- )**

Ref.	Part No.		Description	Qty.
	1	372932	② Tube, Breather	1
	2	372902	② Clamp, Hose	1
	3	368298	② Clamp, Hose	1
▽	4	372926	② Cover Assy, Head, Cyl	1
▲	5	372929	② Shield, Breather	1
▲	6	30125	② Pipe, Water	1
▲	7	372927	② Cover, Breather	1
▲	8	372928	② Valve, Breather, Complt	1
▲	9	73482	② Screw, Hex, W/ Washer [Ku]	4
	10	372930	② Gasket, Cover, Head	1
	11	372931	② Bolt	10
	12	39161	② Plug, Oil Filler	1
	13	39162	② O Ring	1

② Tennant Serial Number (014133- )

**Fig. 7 - Main Bearing Case Group**

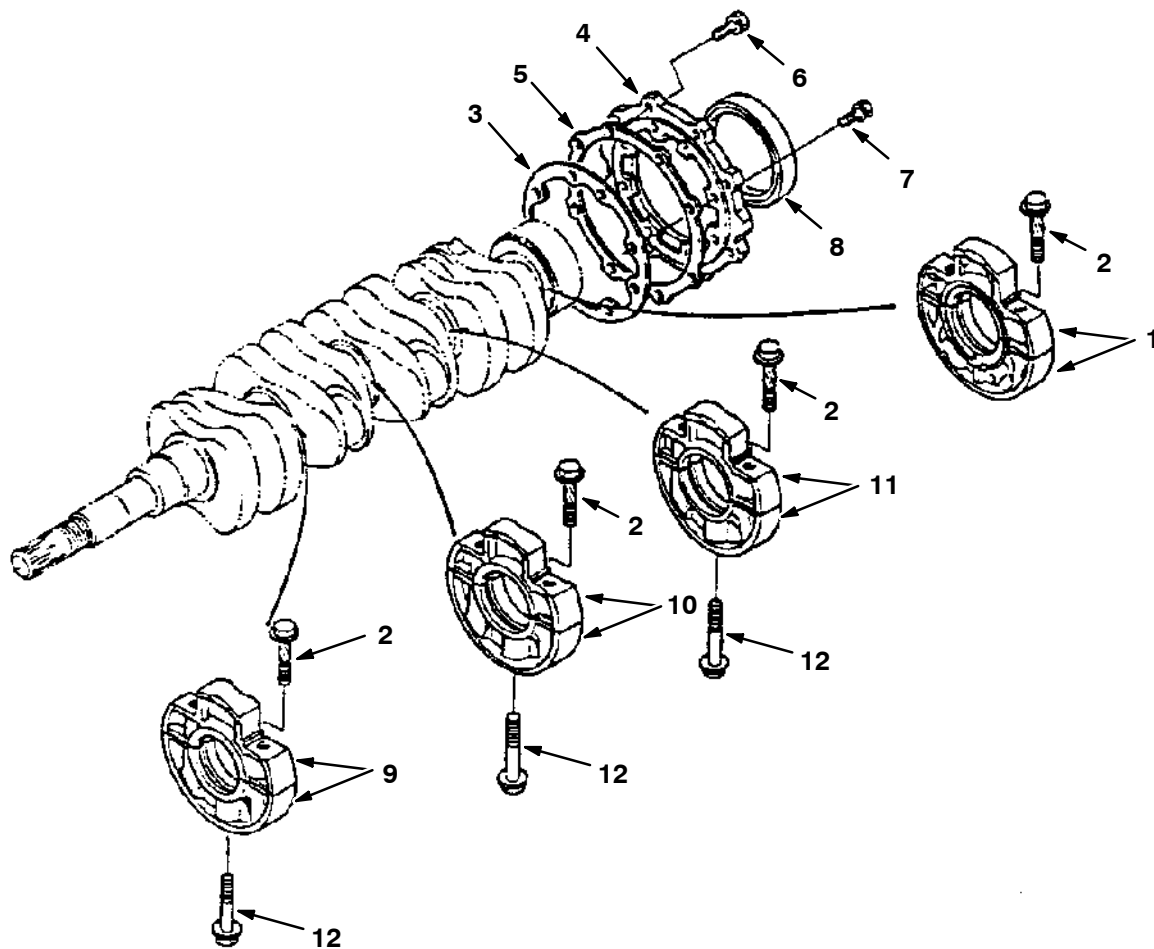


Fig. 7 - Main Bearing Case Group

Ref.	Part No.	Description	Qty.
1	20704	Assy Case. Main Brg.	1
2	20706	Bolt, Bearing Case	8
3	20705	Gasket, Brg. Case	1
4	20707	Cover, Bearing Case	1
5	20709	Gasket. Brg. Case Cov.	1
5	20517	Gasket. Brg. Case Cov.	1
6	39128	Bolt	8
7	20099	Bolt	8
8	39130	Seal, Oil	1
9	20701	Assy Case. Main Brg.	1
10	20702	Assy Case, Main Brg	1
11	20703	Assy Case Maiin Brg.	1
12	31339	Bolt, Bearing Case	3

Fig. 8 - Camshaft Group

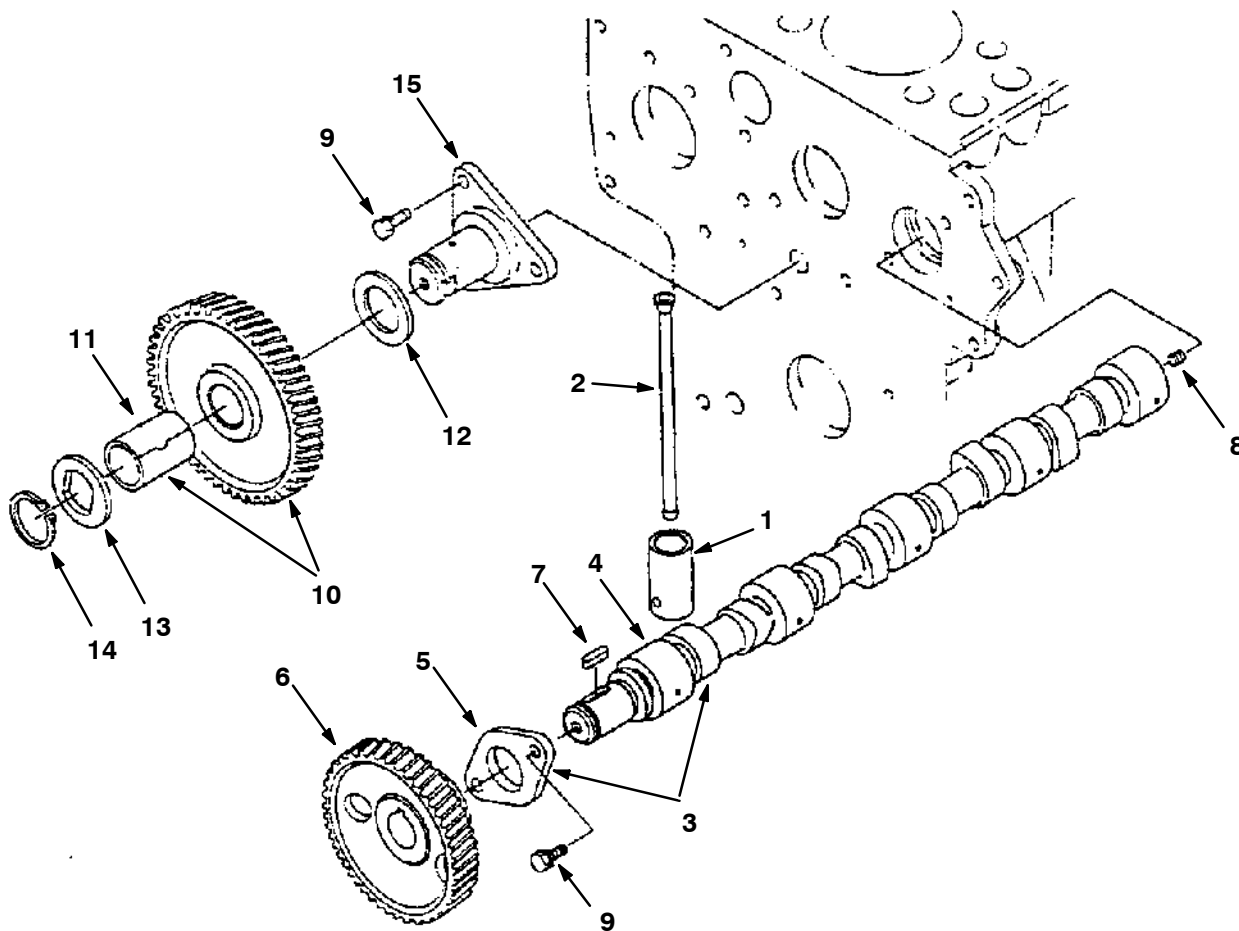
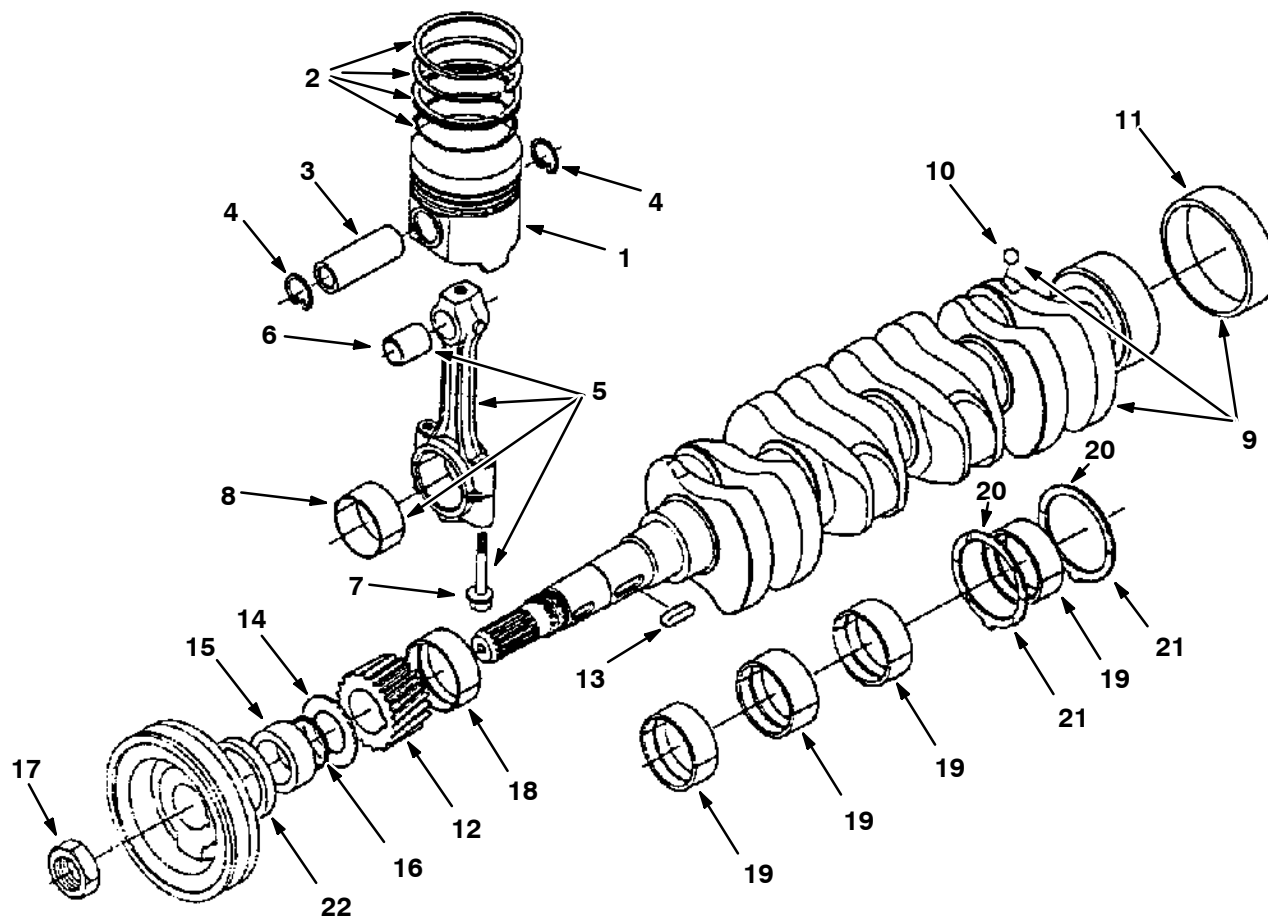


Fig. 8 - Camshaft Group

	Ref.	Part No.	Description	Qty.
	1	39193	Tappet	8
	1	20439	Tappet	8
	2	20710	Push Rod	8
▽	3	20695	Assy Camshaft	1
▲	4	20696	Camshaft	1
▲	5	39199	Stopper, Camshaft	1
	6	39198	Gear, Camshaft	1
	7	39186	Key, Feather	1
	8	39197	Screw. Set	1
	9	39200	Bolt	5
▽	10	20685	Comp. Gear, Idle	1
▲	11	20689	Bush, Idle Gear	1
	12	20687	Collar	1
	13	20688	Collar	1
	14	20414	Cir-clip, External	1
	15	20686	Shaft, Idle Gear	1

Fig. 9 - Piston And Crankshaft

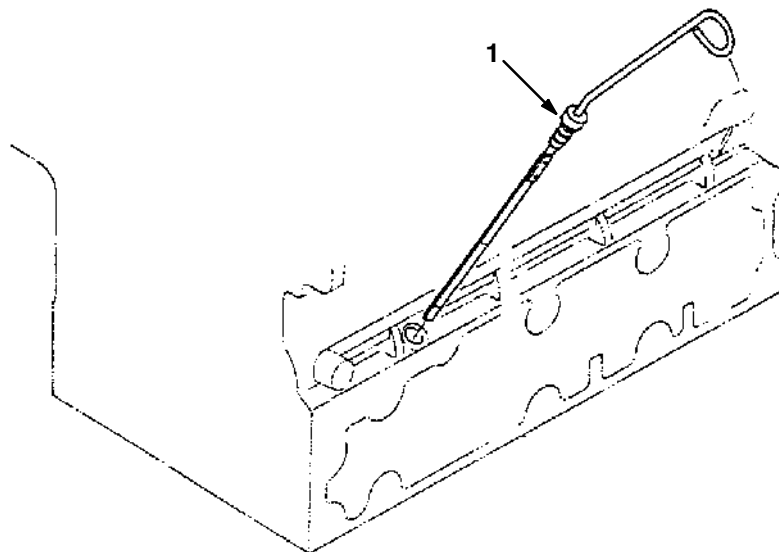




**Fig. 9 - Piston And Crankshaft**

<b>Ref.</b>	<b>Part No.</b>	<b>Description</b>	<b>Qty.</b>	
1	20713	Piston	4	
1	20714	Piston	4	
2	20680	Assy Piston Ring	4	
2	20681	Assy Piston Ring	4	
3	20150	Pin, Piston	4	
4	20143	Clip, Piston Pin	8	
▽	5	20678	Assy Connecting Rod	4
▲	6	20682	Bush, Piston Pin	2
▲	7	39181	Bolt, Connecting Rod	8
▲	8	20679	Metal, Crankpin	4
▲	8	20683	Metal, Crankpin	4
▲	8	20684	Metal, Crankpin	4
▽	9	20665	Comp. Crankshaft	1
▲	10	73527	Ball	4
▲	11	12798	Sleeve, Crankshaft	1
12	41812	Gear, Crankshaft	1	
13	39186	Key, Feather	1	
14	41813	Slinger, Oil	1	
15	12797	Collar, Crankshaft	1	
16	39188	O -Ring	1	
17	39189	Nut, Crankshaft	1	
18	10843	Metal, Crankshaft	1	
18	30114	Metal, Crankshaft	1	
18	30116	Metal, Crankshaft	1	
19	30113	Metal, Crankshaft	4	
19	30115	Metal, Crankshaft	4	
19	30117	Metal, Crankshaft	4	
20	10844	Metal, Side	2	
20	30119	Metal, Side	2	
20	30120	Metal, Side	2	
21	10845	Metal, Side	2	
21	30121	Metal, Side	2	
21	30122	Metal, Side	2	
22	30118	Seal, Oil	1	

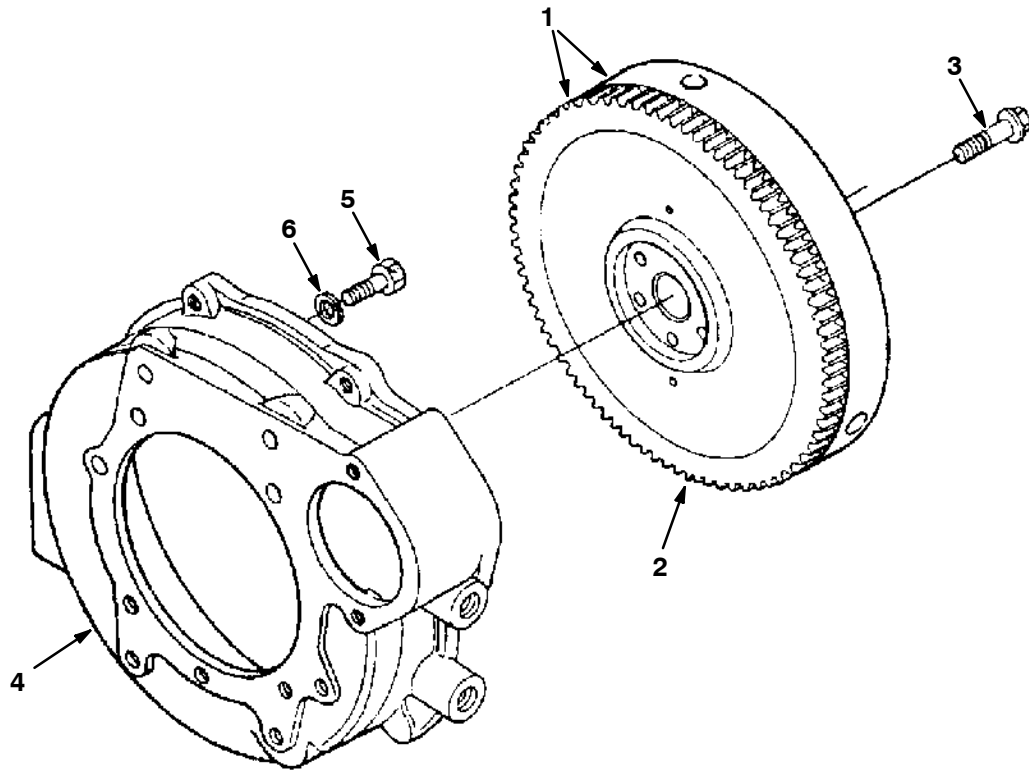
**Fig. 10 - Dipstick And Guide**



09383 - D

<b>Ref.</b>	<b>Part No.</b>	<b>Description</b>	<b>Qty.</b>
1	20715	Gauge, Oil	1

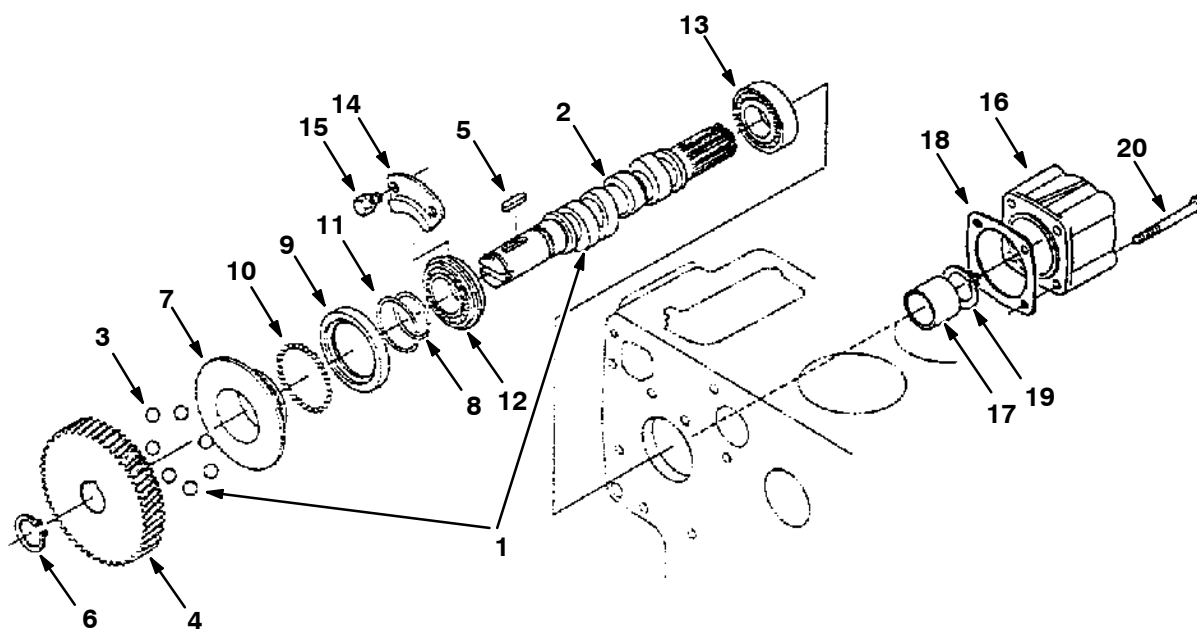
Fig. 11 - Flywheel



09387 - D

	Ref.	Part No.	Description	Qty.
▽	1	20735	Comp. Flywheel	1
▲	2	30105	Gear, Ring	1
	3	39223	Bolt, Flywheel	6
	4	20664	Housing, Flywheel	1
	5	39389	Bolt	11
	6	39399	Washer, Spring	11

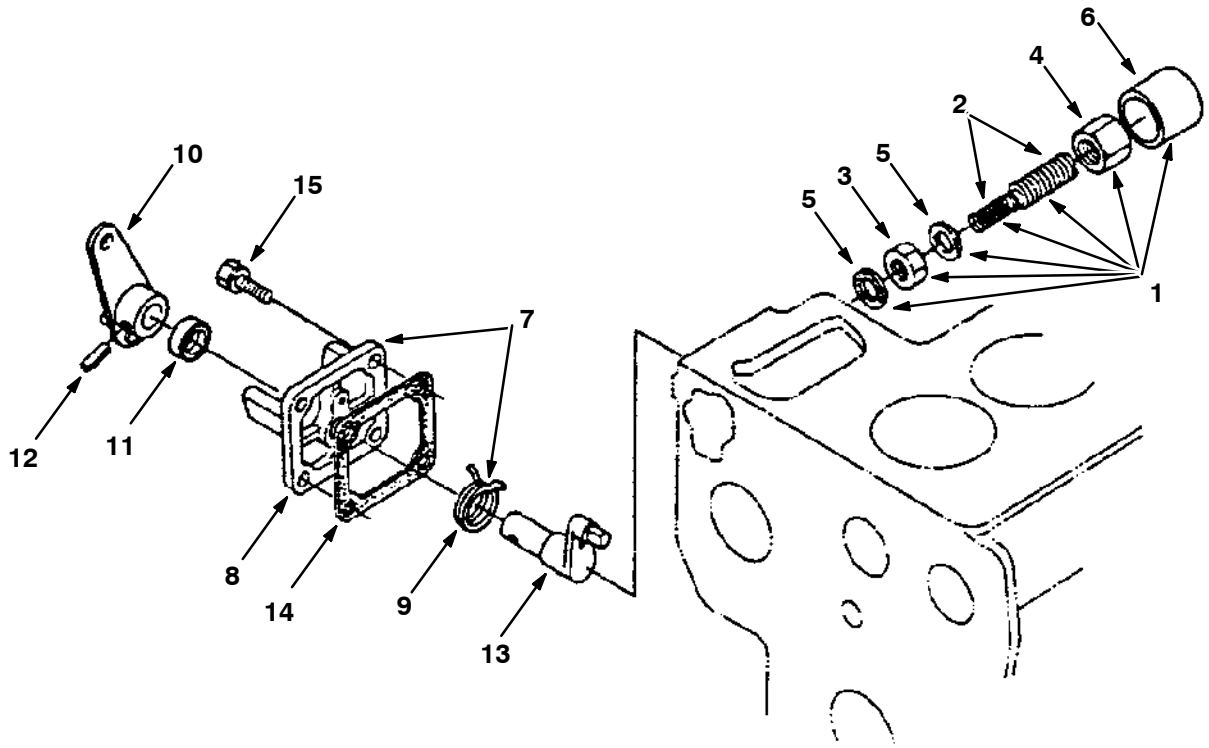
**Fig. 12 - Fuel Camshaft**



09388 - D

Ref.	Part No.	Description	Qty.
▽	1 20711	Assy Camshaft, Fuel	1
▲	2 20712	Camshaft, Fuel	1
▲	3 20132	Ball	7
	4 20514	Gear, Injection Pump	1
	5 39518	Key, Feather	1
	6 39519	Cir-clip, External	1
	7 20446	Sleeve, Governor	1
	8 39521	Cir-clip. Gov. Sleeve	1
	9 20447	Case, Governor Ball	1
	10 39523	Ball	39
	11 39524	Cir-clip	1
	12 10846	Bearing, Ball	1
	13 41951	Bearing. Ball	1
	14 39713	Stopper	1
	15 39073	Bolt	2
	16 41971	Cover, Fuel Camshaft	1
	17 41963	Collar	1
	18 40412	Gasket	1
	19 41965	Cir-clip, External	1
	20 41959	Bolt	4

Fig. 13 - Engine Stop Level



09389 - D

Ref.	Part No.	Description	Qty.	
▽	1	40333	Assy Apparatus. I/D.	1
▲	2	40334	Assy Bolt, Adjusting	1
▲	3	40375	Nut	1
▲	4	40398	Nut, Cap	1
▲	5	10895	Gasket	2
▲	6	40400	Cap	1
▽	7	20691	Assy Lever. Eng. Stop	1
▲	8	20421	Cover, Injection Pump	1
▲	9	20422	Spring, Return	1
	10	20692	Lever, Engine Stop	1
	11	70983	Seal, Oil	1
	12	40407	Pin, Spring	1
	13	20693	Shaft, Lever	1
	14	10847	Gasket, Pump Cover	1
	15	40409	Bolt	4

Fig. 14 - Injection Pump (Component Parts)

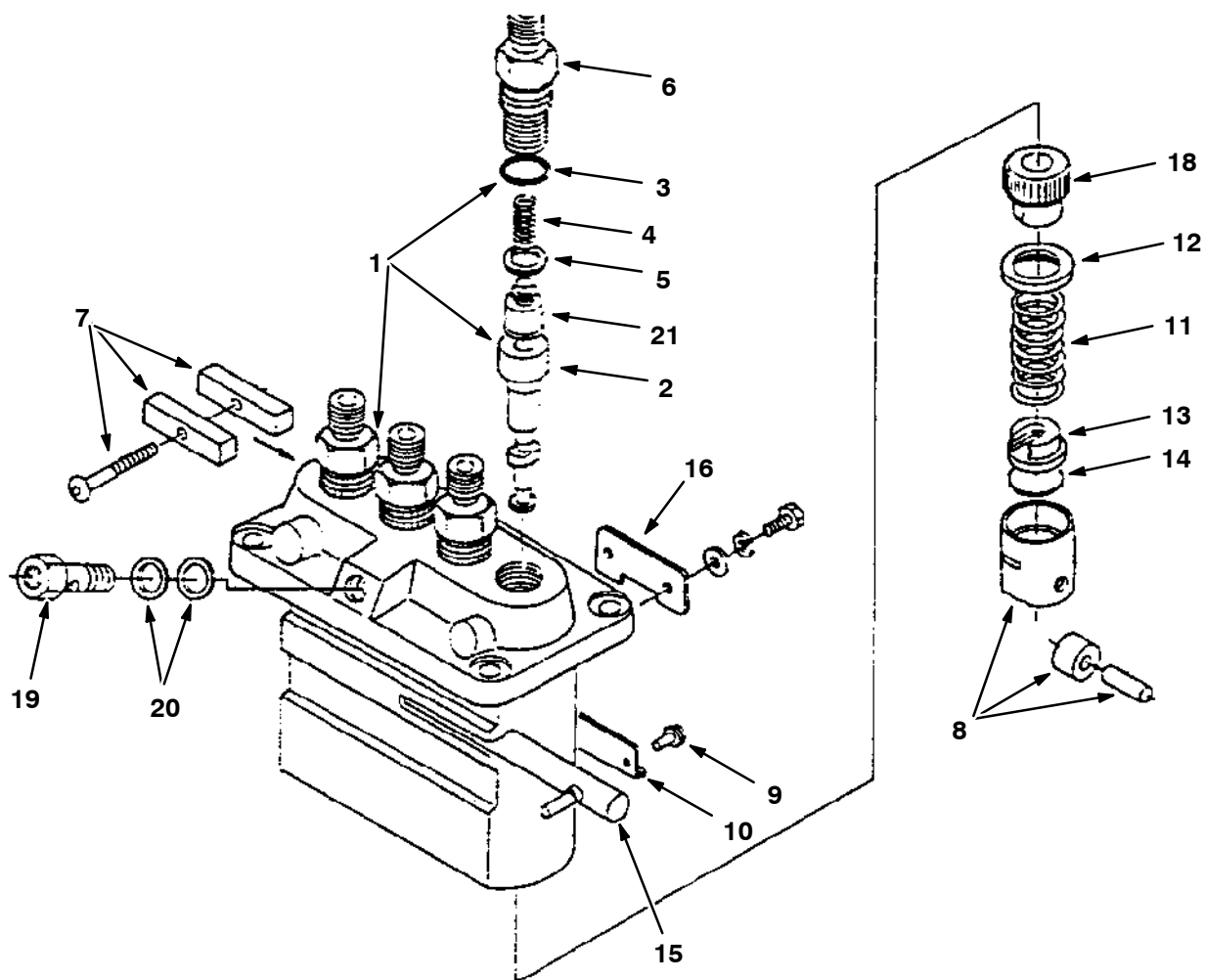
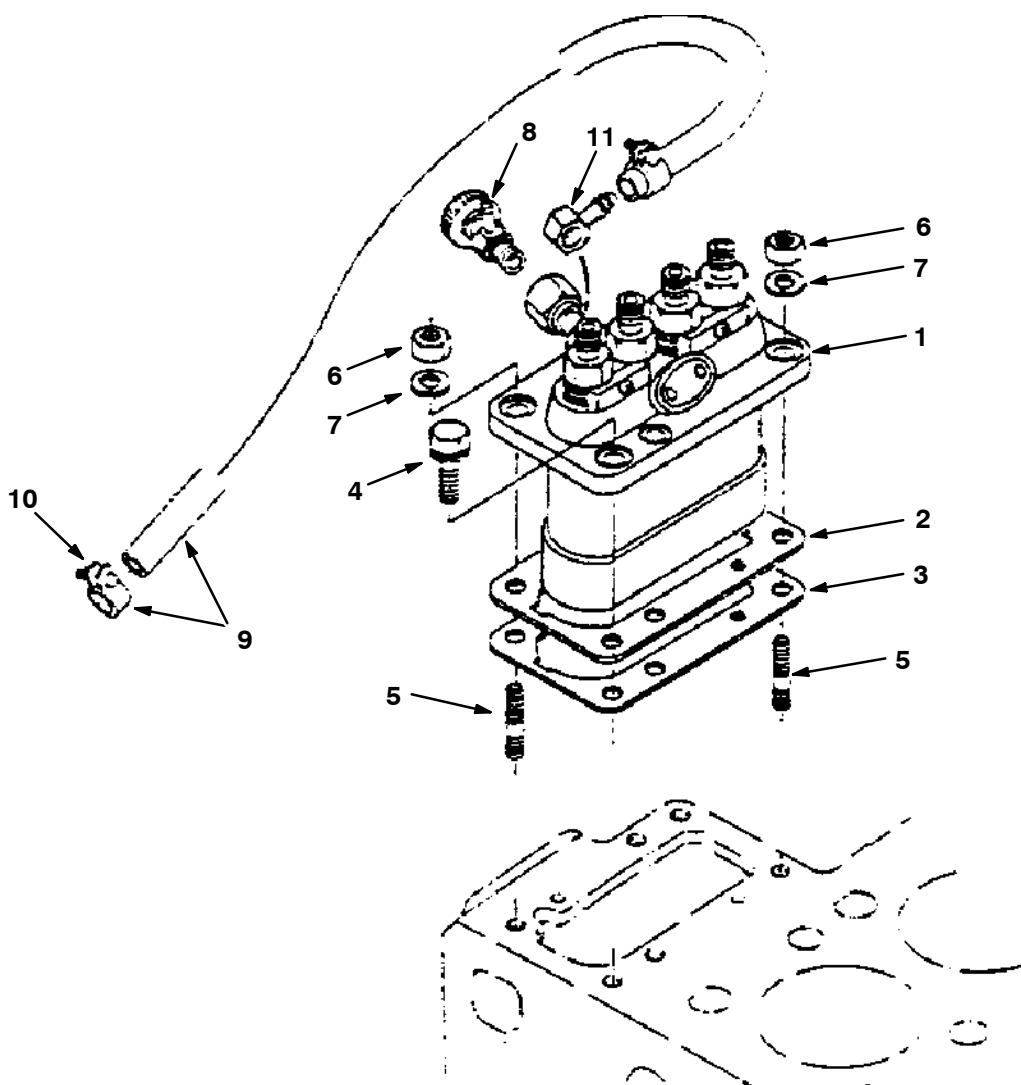


Fig. 14 - Injection Pump (Component Parts)

Ref.	Part No.	Description	Qty.	
▽	1	20716	Assy Pump. Injection	1
▲	2	20538	Plunger, Pump	4
▲	3	20147	O Ring	4
	4	20545	Spring, Deliv. Valve	4
	5	20195	Gasket, Deliv. Valve	4
	6	20515	Holder, Deliv. Valve	4
	7	20546	Assy Plate, Lock	2
	8	20194	Assy Tappet	4
	9	20148	Pin, Tappet Guide	4
	10	20149	Plate	2
	11	20197	Spring, Plunger	4
	12	20196	Seat, Spring Upper	4
	13	20198	Seat, Spring Lower	4
	14	20205	Shim	4
	15	20383	Rack, Control	1
	16	20146	Plate, Adjusting	3
	17	20245	Bolt	3
	18	20199	Sleeve, Control	4
	19	20420	Screw, Follow	1
	20	20385	Gasket	2
	21	20520	Valve. Delivery	4

Fig. 15 - Injection Pump Assembly

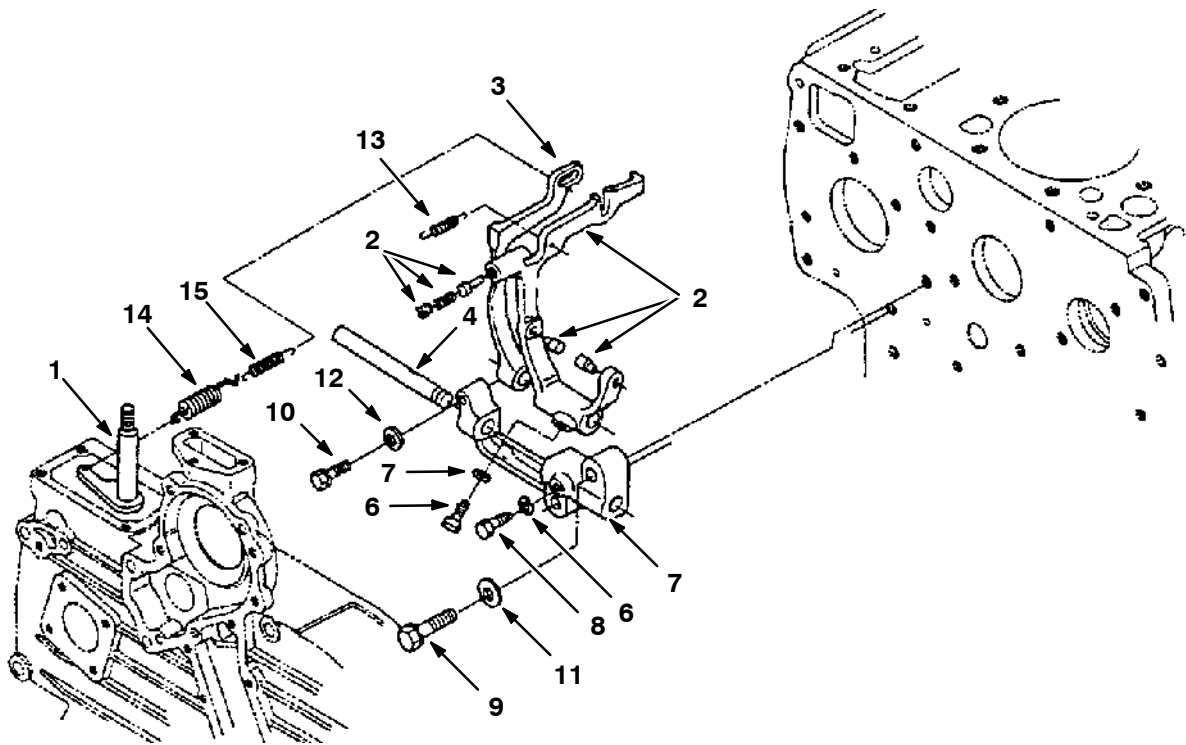


09390 - D

Ref.	Part No.	Description	Qty.	
1	20716	Assy Pump, Injection	1	
2	41969	Shim	2	
3	20139	Shim, Injection Pump	1	
4	39138	Bolt	4	
5	39139	Stud	2	
6	39096	Nut	2	
7	39097	Washer, Spring	2	
8	39513	Assy Cock, Jet Start	1	
▽	9	41975	Assy Pipe, Fuel	1
▲	10	41976	Clip, Pipe	2
11	41974	Joint	1	



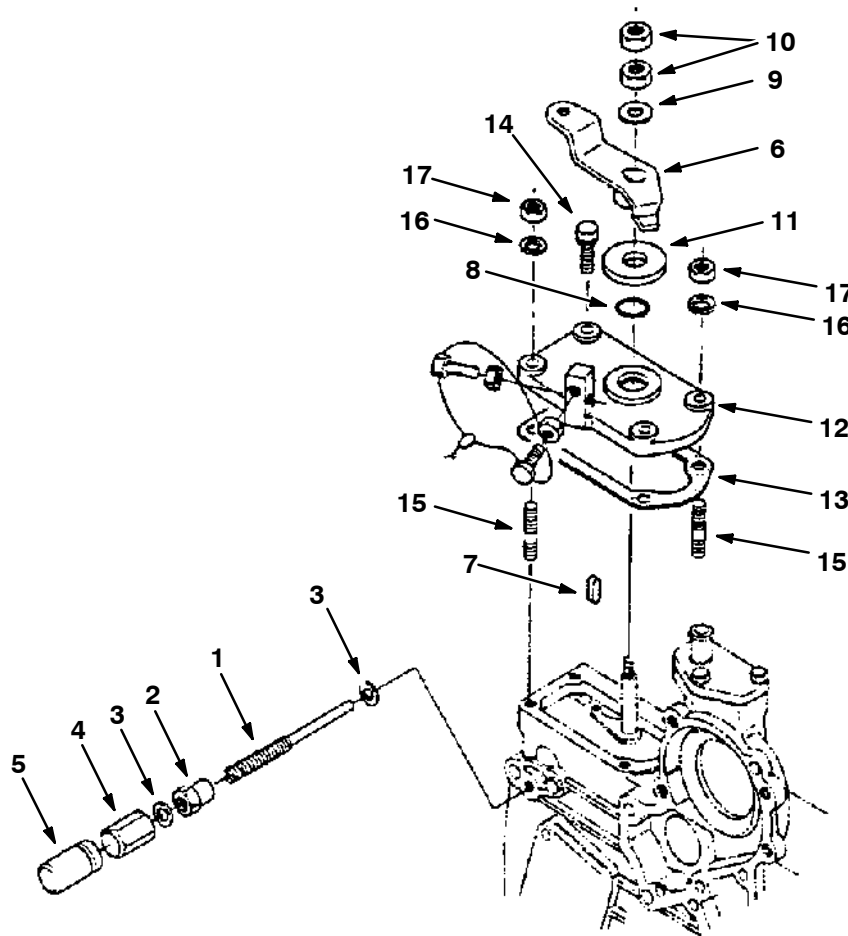
**Fig. 16 - Governor Group**



09392 - D

Ref.	Part No.	Description	Qty.	
	1	40021	Comp. Lever, Governor	1
▽	2	20725	Assy Lever, Fork	1
▲	3	20690	Lever, Fork	1
▲	4	40032	Shaft, Fork Lever	1
▲	5	40033	Bolt, Lever Shaft	1
▲	6	39065	Washer, Spring	2
▲	7	40040	Holder, Fork Lever	1
	8	39169	Bolt	1
	9	40079	Bolt	2
	10	40080	Bolt	1
	11	39148	Washer, Plain	2
	12	40083	Washer, Spring	1
	13	20448	Spring, Start	1
	14	20726	Spring, Governor	1
	15	20516	Spring, Governor	1

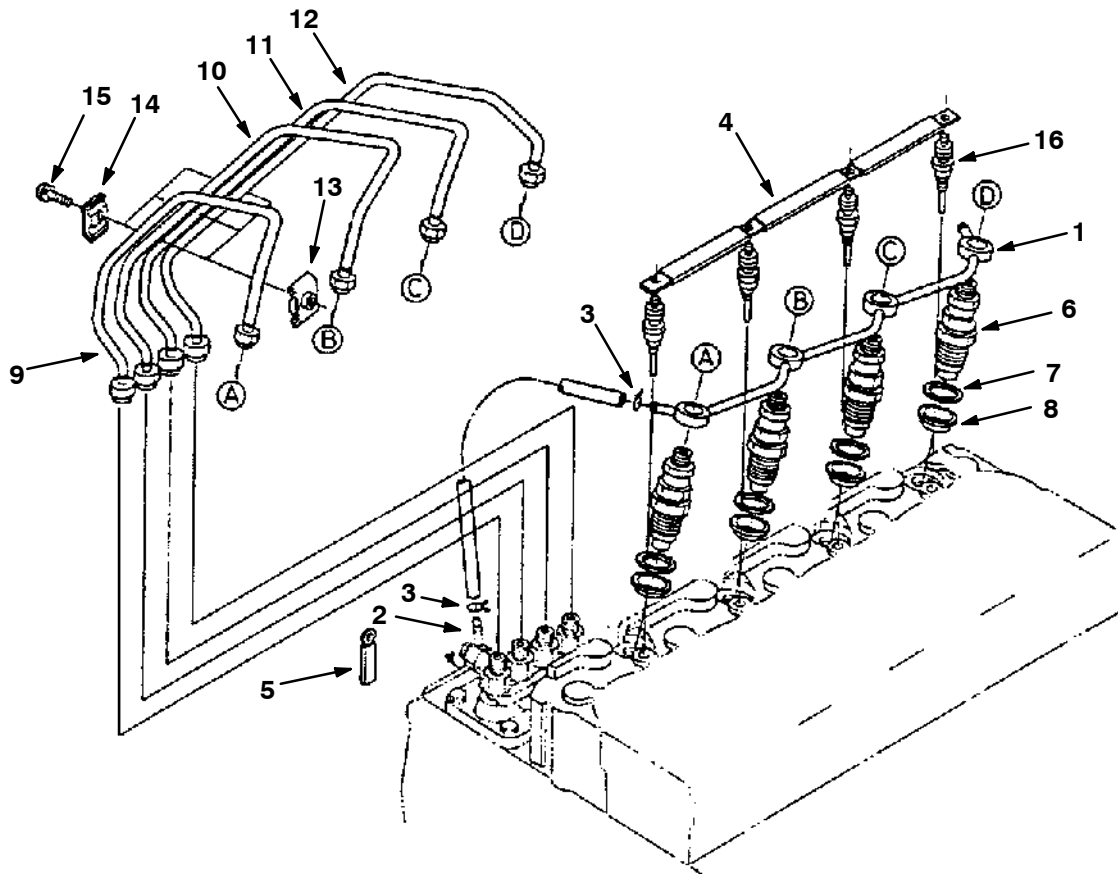
Fig. 17 - Speed Control Plate Group



09393 - D

Ref.	Part No.	Description	Qty.
1	40159	Bolt, Adjusting	1
2	40165	Nut	1
3	40166	Gasket	2
4	30135	Nut, Cap	1
5	30136	Cap	1
6	41955	Lever, Speed Control	1
7	40203	Key, Feather	1
8	40204	O Ring	1
9	40231	Washer, Plain	1
10	40233	Nut	2
11	41977	Collar	1
12	12794	Plate, Speed Control	1
13	41978	Gasket	1
14	39119	Bolt	2
15	39120	Stud	2
16	39065	Washer, Spring	2
17	39121	Nut	2

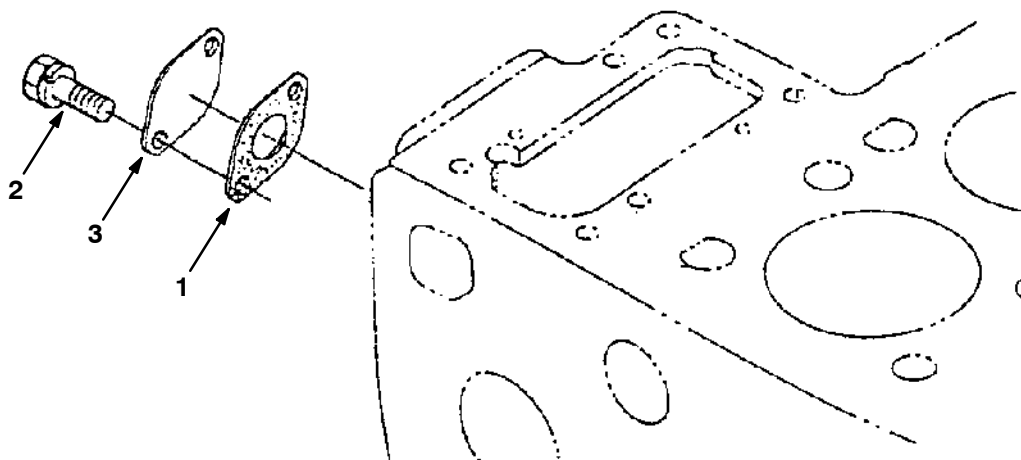
Fig. 18 - Nozzle Holder And Glow Plug Group



09394 - D

Ref.	Part No.	Description	Qty.
1	20518	Assy Pipe, Over Flow	1
2	41857	Assy Pipe, Over Flow	1
3	30134	Clip, Pipe	2
4	20642	Cord, Glow Plug	1
5	20256	Clamp, Cord	1
6	20717	Assy Holder. Nozzle	4
7	70964	Gasket	4
8	20719	Seal, Heat	4
9	20720	Pipe, Injection	1
10	20721	Pipe, Injection	1
11	20722	Pipe, Injection	1
12	20723	Pipe, Injection	1
13	30131	Clamp, Pipe	3
14	30132	Clamp, Pipe	3
15	39508	Screw, With Washer	3
16	20727	Plug, Glow	4

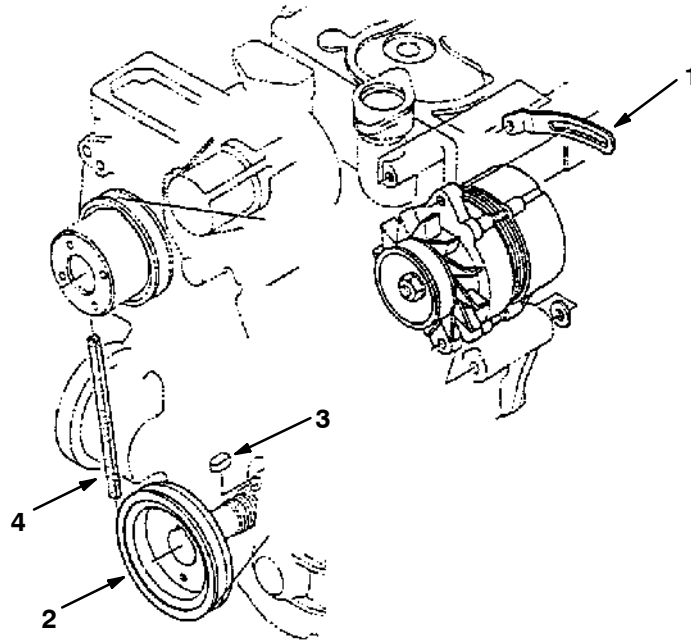
## Fig. 19 - Fuel Pump Cover Group



09397 - D

Ref.	Part No.	Description	Qty.
1	41972	Gasket, Fuel Pump	1
2	41973	Bolt	2
3	41971	Fuel Pump Cover	1

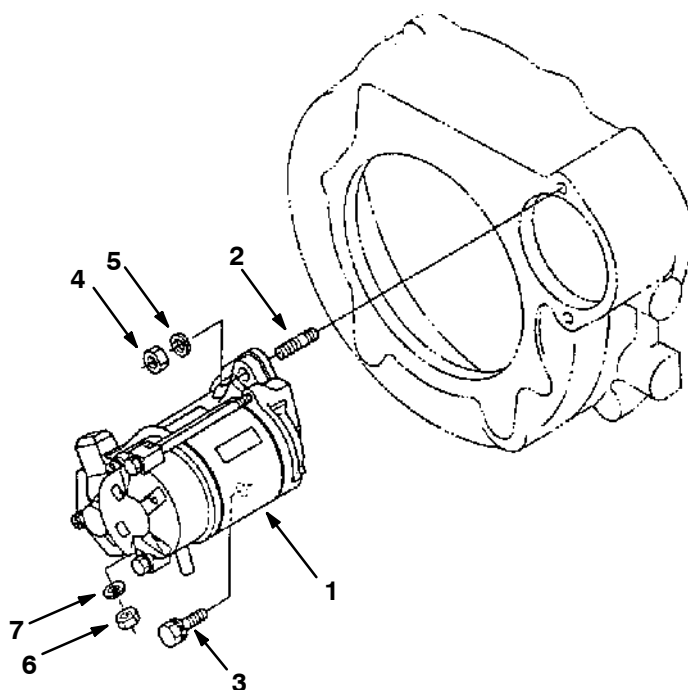
**Fig. 20 - Alternator Arm and Pulley Group**



09398 - D

<b>Ref.</b>	<b>Part No.</b>	<b>Description</b>	<b>Qty.</b>
1	03254	Stay, Dynamo	1
2	20157	Pulley, Fan Drive (P.T.O.)	1
3	39186	Key, Feather	1
4	04022	V Belt	1

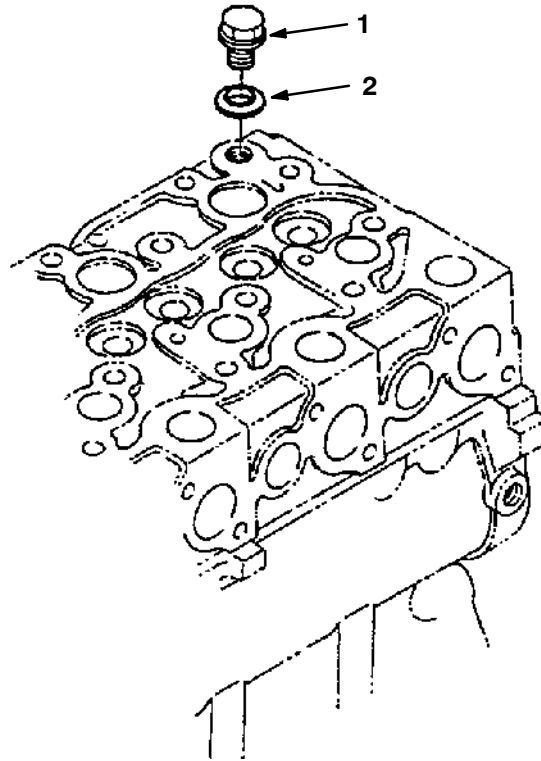
**Fig. 21 - Starter Group**



09400 - D

Ref.	Part No.	Description	Qty.
1	38957	Assy Starter	1
2	39480	Stud	1
3	39458	Bolt	1
4	39481	Nut	1
5	39399	Washer, Spring	1
6	20100	Nut	1
7	39097	Washer, Spring	1

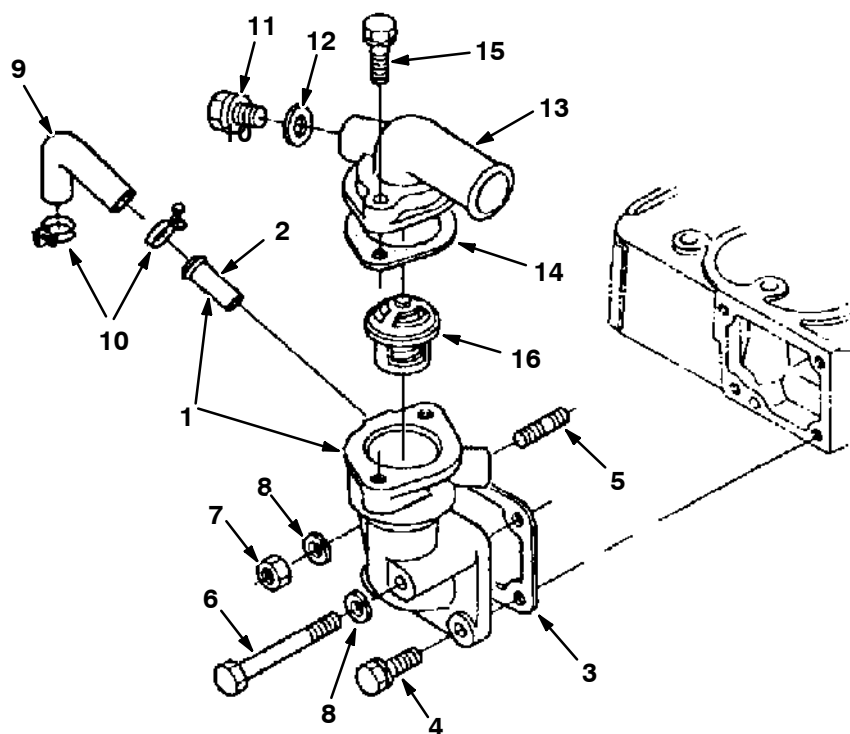
Fig. 22 - Plug Group



09402 - D

Ref.	Part No.	Description	Qty.
1	20128	Plug	1
2	20126	Washer, With Rubber	1

Fig. 23 - Water Flange and Thermostat Group

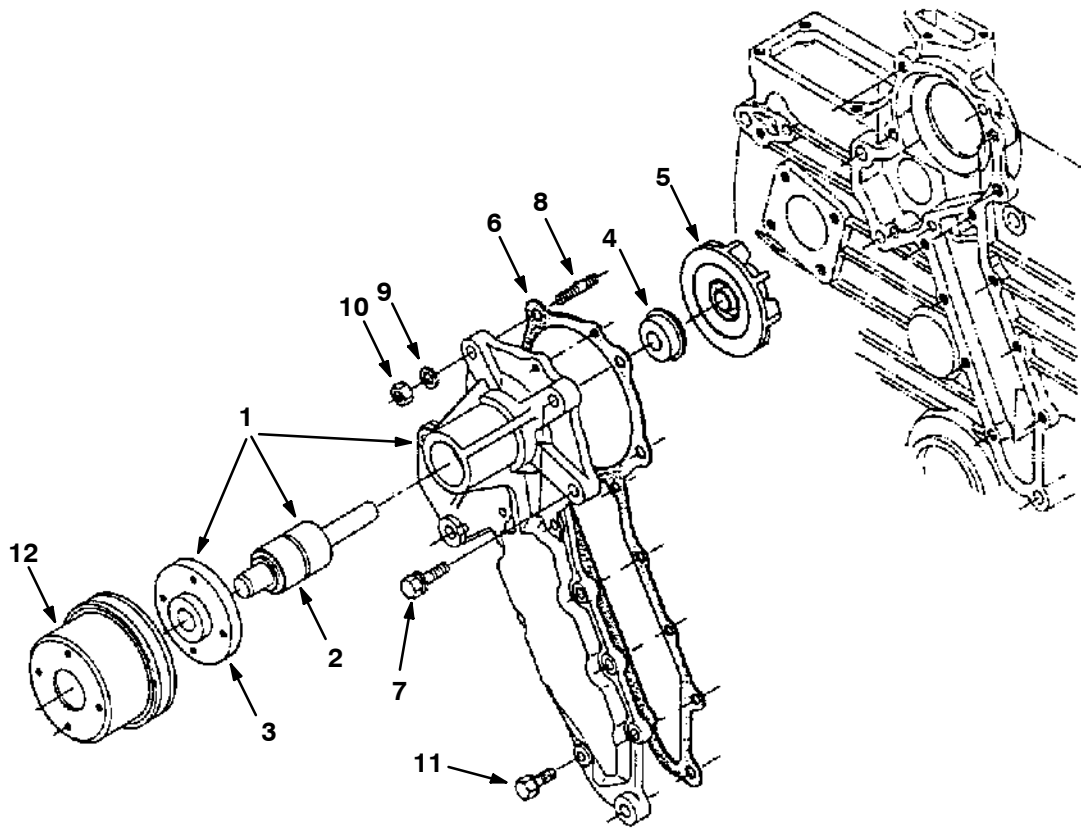


09403 - D

Ref.	Part No.	Description	Qty.	
▽	1	20434	Comp. Flange, Water	1
▲	2	30125	Pipe, Water Return	1
	3	10850	Gasket, Water Flange	1
	4	39138	Bolt	2
	5	39512	Stud	1
	6	39107	Bolt	1
	7	39096	Nut	1
	8	39097	Washer, Spring	2
	9	12795	Pipe, Water Return	1
	10	40416	Band, Pipe	2
	11	20753	Plug	1
	12	20754	Washer, With Rubber	1
	13	20752	Cover, Thermostat	1
	14	10851	Gasket	1
	15	40418	Bolt	2
	16	10852	Assy Thermostat	1



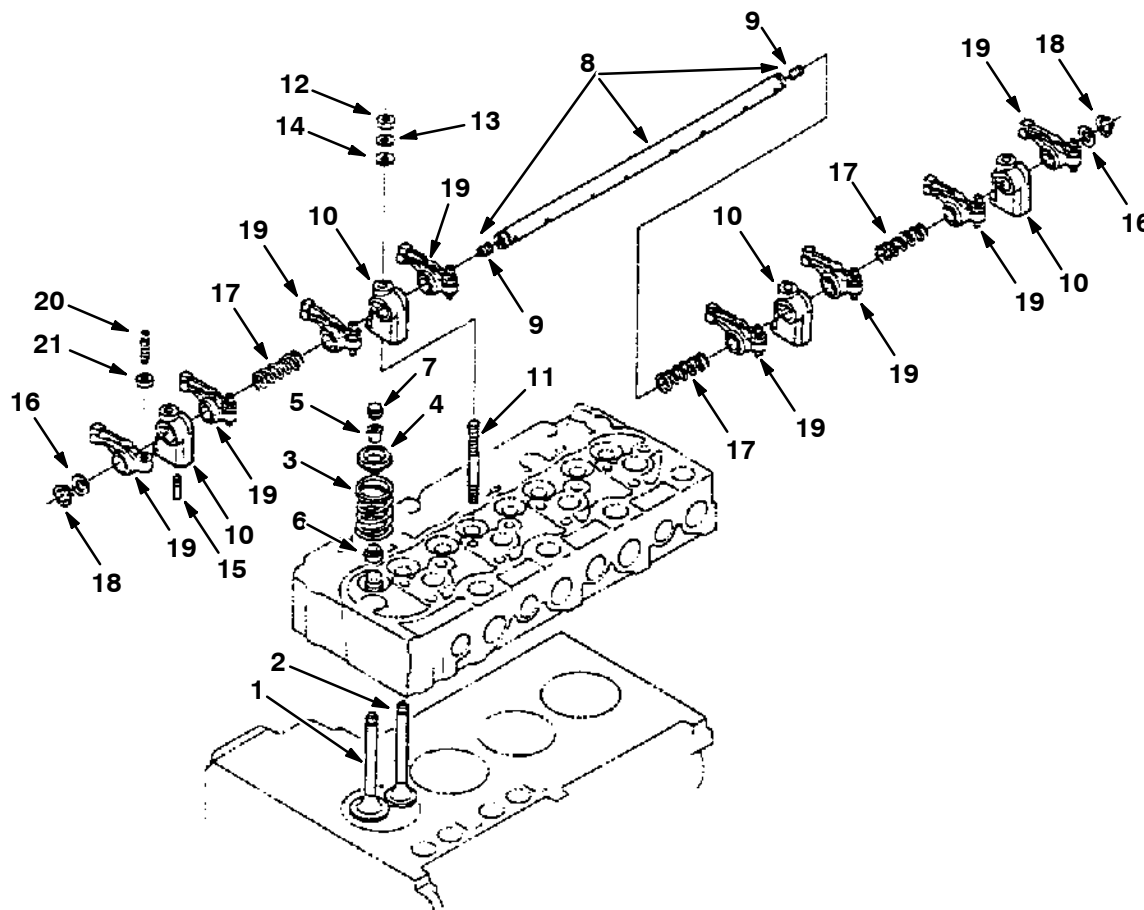
**Fig. 24 - Water Pump Group**



09411 - D

Ref.	Part No.	Description	Qty.	
▽	1	10853	Assy Pump, Water	1
▲	2	10854	Bearing, Ball	1
▲	3	10892	Flange, Water Pump	1
	4	40421	Assy Seal, Mechanical	1
	5	40420	Impeller, Water Pump	1
	6	10893	Gasket, Water Pump	1
	7	20099	Bolt	2
	8	41958	Stud	2
	9	39097	Washer, Spring	2
	10	39096	Nut	2
	11	40409	Bolt	8
	12	20755	Pully, Fan	1

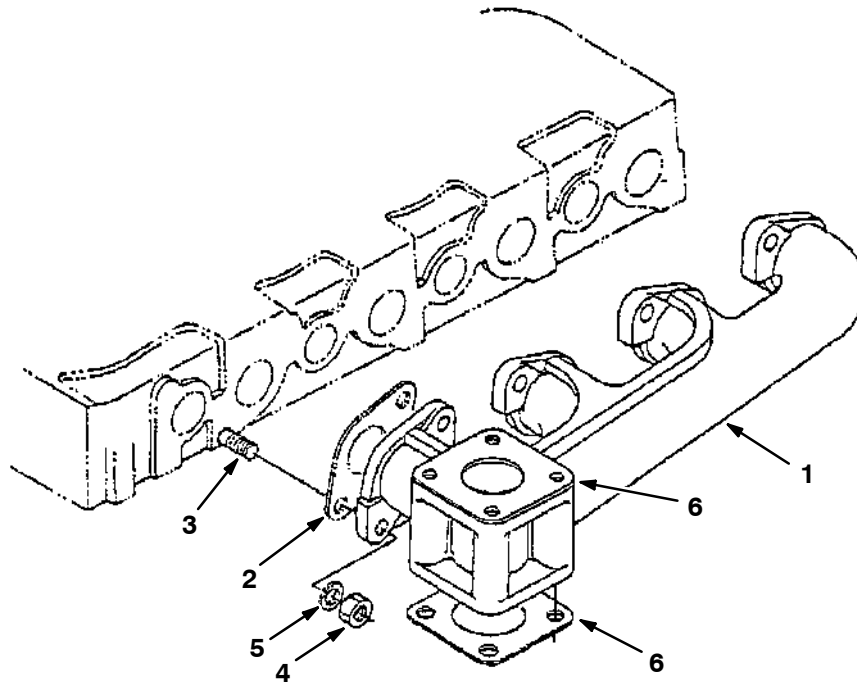
Fig. 25 - Valve and Rocker Arm Group



09415 - D

Ref.	Part No.	Description	Qty.
1	20512	Valve, Inlet	4
2	20513	Valve, Exhaust	4
3	10896	Spring, Valve	8
4	10894	Retainer, Valve Sp.	8
5	39141	Collet, Valve Spring	8
6	39142	Seal, Valve Stem	8
7	39143	Cap, Valve	8
▽ 8	41805	Assy Shaft, R-arm	1
▲ 9	41808	Screw, Set	2
10	39146	Bracket, Rocker Arm	4
11	39147	Stud	4
12	39096	Nut	4
13	39097	Washer, Spring	4
14	39148	Washer, Plain	4
15	39149	Screw, Set	1
16	39150	Washer	2
17	39151	Spring, Rocker Arm	3
18	39152	Cir-clip, External	2
19	39153	Assy Rocker Arm	8
20	39155	Screw, Adjusting	8
21	39156	Nut	8

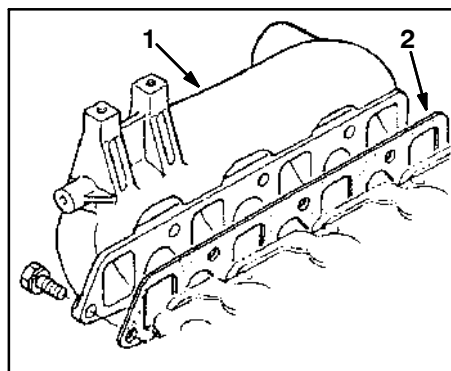
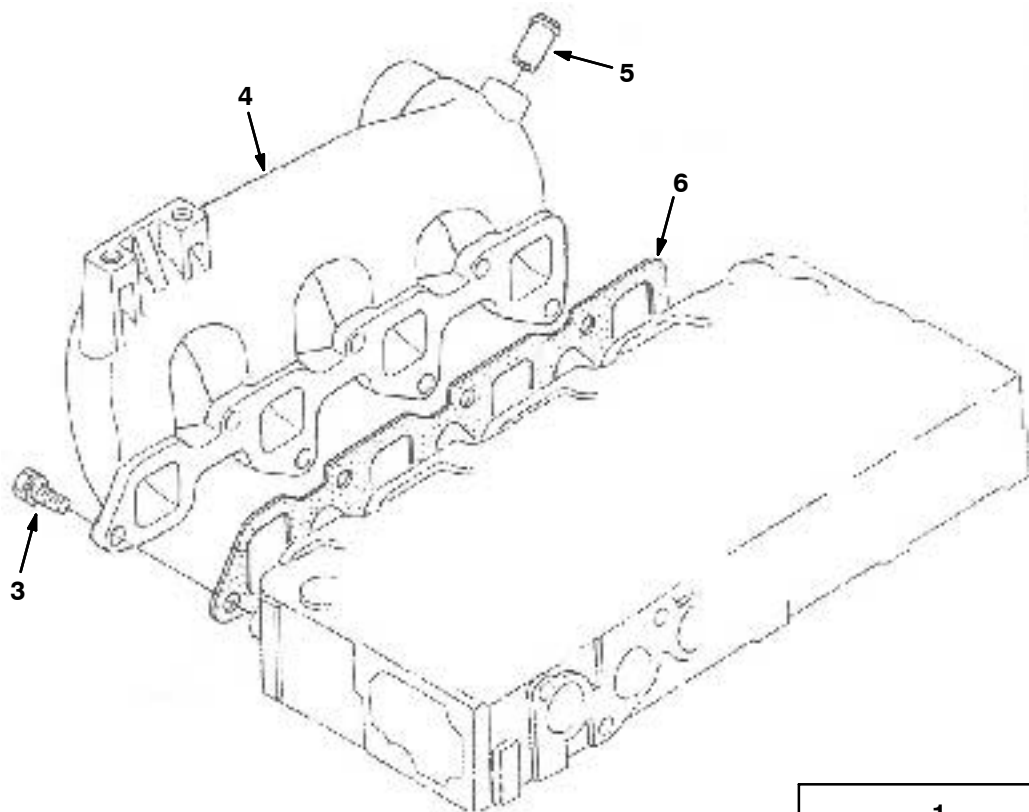
Fig. 26 - Exhaust Manifold Group



09416 - D

Ref.	Part No.	Description	Qty.
1	20699	Manifold, Exhaust	1
2	20437	Gasket, Ex-manifold	4
3	39139	Stud	8
4	39096	Nut	8
5	39097	Washer, Spring	8
6	78773	Gasket, Muffler	2

Fig. 27 - Inlet Manifold Group



09417 - D

Ref.	Part No.		Description	Qty.
1	20666	①	Manifold, Inlet	1
2	20697	①	Gasket, In-manifold	1
3	39138		Bolt	7
4	372908	②	Manifold, Inlet	1
5	372909	②	Tube, Breather	1
6	372952	②	Gasket, Manifold, Inlet	1

① Tennant Serial Number (000000-014132)

② Tennant Serial Number (014133- )

# SECTION 6

**CONTENTS**

**PAGE**

PART NUMBER TO PAGE NUMBER CROSS REFERENCE LIST ..... 6-2  
PART DESCRIPTION TO PAGE NUMBER CROSS REFERENCE LIST ..... 6-14

# CROSS REFERENCE

## PART NUMBER TO PAGE NUMBER CROSS REFERENCE LIST

Part Number	Page Number	Part Number	Page Number	Part Number	Page Number
IB3614	4-12, 4-13, 4-14	05725	2-4	09252	2-137
MM391	3-43	05726	2-5	09291	2-9, 2-11
MM391ES	3-43	06279	2-111	09342	2-7
MM391FR	3-43	06549	3-11, 3-13, 3-15, 3-17	09570	2-127
MM392	3-43	06918	2-39	09718	2-19
00500-15	4-11, 4-15	06933	2-131, 2-133	09738	2-71
00954	4-13	06942	2-47, 2-49, 3-11, 3-13	09739	2-135
00960	4-12	06943	2-57, 2-59, 3-15, 3-17	09740	2-105, 2-125, 2-127, 2-129
00966	4-14	06945	2-145	09806	2-13
01314	2-13	06958	2-59, 2-71	09832	2-73, 2-75
01316	3-3	06959	2-121	09900-1	2-103
01493	2-13	06974	2-103	1001303	2-127, 2-129
01516	2-123	07259	2-19	1002789	2-141
01683	2-71, 2-135	07450	2-123	1002898	2-139
01684	2-4, 2-5, 2-9, 2-11, 2-103, 2-105, 2-127, 2-129, 2-135, 2-137, 2-145	07471	2-137	1002899	2-139
01685	2-9, 2-11, 2-73, 2-75, 2-105, 2-107, 2-109, 2-111, 2-115, 2-117, 2-121, 2-125, 2-127, 2-129, 2-131, 2-137, 2-139	07562	2-41, 3-38	1005086	2-141
01686	2-9, 2-11, 2-107, 2-111, 2-115, 2-117, 2-119, 2-121	07565	3-38	1005255	2-139
01714	2-73, 2-75	07786	2-115, 2-117	1005302	2-141
01760	2-105	07788	2-9, 2-11	1005304	2-141
01988	2-85, 2-89	07790	3-11, 3-13	1005416	2-17, 2-139
02129	2-53, 2-55	07791	3-19	1005435	2-139
02247	2-53, 2-55	07805	2-103, 2-137	1005506	2-137
02361	2-85, 2-89	07819	2-121	1005507	2-137
02430	4-43	08013N	2-5	1005508	2-137
02506-6	3-27	08085	2-115	1005552	2-141
02676	2-85, 2-89	08143	2-31	1006410	2-129
02705	4-23, 4-25	08175	2-101, 2-111	1006447	2-137
02706	4-23, 4-25, 4-27	08228	2-51, 2-53, 2-55	1008142	2-133
02709	4-23, 4-25	08361	2-107, 2-111	1008147	3-3
02712	2-25	08708	2-21, 2-47, 2-49, 2-59, 2-71, 2-127, 2-129, 3-11, 3-13, 3-15, 3-17	1010668	2-137
02731	2-13	08709	2-47, 2-49, 2-59, 2-71, 2-79, 2-93	1010684	2-139
02740	2-41	08711	2-21, 2-73, 2-75, 2-103, 2-121	1010713	2-137
02741	2-41	08712	2-9, 2-11	1010775	2-137
02850	2-33	08713	2-31, 2-69, 2-73, 2-75, 2-105, 2-107, 2-109, 2-111, 2-117, 2-119, 2-121, 2-125, 2-127, 2-129	1010836	2-137, 2-139
02892	2-147	08714	2-107, 2-111, 2-115, 2-117, 2-119	1012199	2-55
02931	2-123	08716	2-127, 2-129	1013902	2-139
03026	2-41	08793	3-15, 3-17	1013941	2-55
03192	2-93	09007	2-9, 2-11, 2-21, 2-105	1013944	2-15
03254	5-29	09010	2-9, 2-11, 2-117, 2-121, 2-139	1014082	2-139
03495	2-123	09011	2-105, 2-107, 2-109, 2-111, 2-115, 2-117	1014136	2-15
03922	2-147	09023	2-69, 2-73, 2-75	10143	2-65
04022	2-39, 5-29	09028	2-9, 2-11, 2-119	1014365	2-121
04706	2-149	09088	2-69	1014446	2-89
04846	2-119	09120	2-103	1014473	2-137
05036	2-5	09198	2-5	1014532	2-137
05624	2-105	09228	2-33	1014575	2-139
05686	2-107, 2-111	09244	3-11, 3-13, 3-15, 3-17	1014689	2-55
05724	2-5			1014986	2-139
				1014987	2-139
				1015012	2-17, 2-139
				1015032	2-129
				1015048	2-129
				1015096	2-145
				1015136	2-133
				1015486	2-141
				10165	2-123
				1016827	2-47, 2-49

# CROSS REFERENCE

Part Number	Page Number	Part Number	Page Number	Part Number	Page Number
1017126	2-3, 2-47, 2-49	10595	3-23	12962	2-25
1017250	3-11, 3-13, 3-15, 3-17	10606	2-65	13015	2-65
1018063AM	2-51, 2-53, 2-55	10612	2-155	13115	2-85
1018097	2-139	10618	2-95	13156	2-103
1018098	2-137	10620	2-13	13248	2-13, 2-29, 2-31, 2-43, 2-45, 2-51, 2-53, 2-55, 2-57, 2-59, 2-71, 2-73, 2-75, 2-95, 2-147
1018467	2-137	10632-1	2-23, 2-127, 2-129	13513	2-73, 2-75
1018495	2-137	10632-12	2-51	13902	4-29, 4-31, 4-33, 4-35, 4-42
1018499	2-141	10632-14	2-51, 2-53, 2-55	13904	4-29, 4-31, 4-33, 4-35, 4-42
1018533	2-137	10632-18	3-7, 3-11, 3-13, 3-15, 3-17, 3-19	13907	4-27, 4-33, 4-35
1018780	2-139	10632-4	2-33	14131	2-47
1018883	2-137	10632-5	2-151	14242	2-69
1018884	2-137	10632-9	3-11, 3-13, 3-15, 3-17, 3-19	14432	2-41
1018919	2-57	10642	2-13	14506-1	2-37
1019481	2-11	10664	2-61, 2-63	14601	2-37, 2-73, 2-75
1019886	2-139	10672	3-3	14838	2-4, 2-5
1020195	2-145	10678	3-3	14864	2-135
1020250	2-139	10679	2-135	14880	2-135
1020530	2-9	10688	2-23	14983	3-37
1021095	2-131	10693	2-31	150100	2-137
1021210	3-5, 4-41	10695	2-31	150525	2-139
1021231	2-137	10740	2-57, 2-59, 2-71	15128-1	2-117
1021878	2-3, 2-139	10843	5-17	15539	2-4, 2-5
1022148	2-129	10844	5-17	15555-1	2-47, 2-49
1022388	2-13	10845	5-17	15555-2	2-47, 2-49
1022636	2-145	10846	5-20	15675	2-137
1022662	2-145	10847	5-21	15678	2-135
1023491	2-129	10850	5-32	16081	2-57, 2-59
1024020	2-129, 2-137, 2-139, 2-141	10851	5-32	16082	2-99
1024237	2-129	10852	5-32	16213	2-73, 2-75
1028492	2-67	10853	5-33	16376	2-35, 2-93
1028580	2-145	10854	5-33	16455	2-19
1028582	2-137	10892	5-33	16462	2-85
1030863	2-137	10893	5-33	16465	2-87, 2-91
1030864	2-137	10894	5-34	16695	4-7, 4-9, 4-11, 4-15
1030878	2-137	10895	5-3, 5-9, 5-21	16735	2-59
1031405	2-145	10896	5-34	16931	3-15, 3-17, 3-19
1031699	2-133, 2-135, 3-7, 4-37, 4-39, 4-41	10903	5-7	17200	2-23
1031700	3-29, 3-30	11211	2-27	17980	2-113
1031967	2-89	11329	2-137	19066	2-59, 2-71, 2-137, 3-11, 3-13
1032036	2-93	11399	2-129	19191	2-107, 2-109, 2-111
1032232	2-113, 4-35	11635	2-139	19458	2-93
1032812	2-49	11636	3-37	19583	2-67
1033344	2-59	11893	2-21	19644	2-85, 2-89
1033497	2-59	11984	2-35, 2-41	20099	5-13, 5-33
1033897	2-49	12267	2-97	20100	5-30
1033899	2-49	12273	2-131, 2-139	20126	5-31
1036255	2-149	12274	2-23	20128	5-31
1038966	2-149	12275	2-133	20132	5-20
10539	2-73, 2-75	12277	2-103	20135	5-3
10542	2-121	12316	2-135	20139	5-24
10550	3-35	12317	2-115, 2-117	20143	5-17
10557	3-35	12333	2-73, 2-75	20146	5-23
10560	3-35	12709	5-3	20147	5-23
10561	3-35	12794	5-26	20148	5-23
10562	3-35	12795	5-32		
10573	3-5	12796	5-7		
10575	3-5	12797	5-17		
10581	3-23	12798	5-17		

# CROSS REFERENCE

Part Number	Page Number	Part Number	Page Number	Part Number	Page Number
20149	5-23	20699	5-35	21207	2-31
20150	5-17	20701	5-13	21211	2-21
20157	5-29	20702	5-13	21586	2-123
20178	2-107, 2-109, 2-111	20703	5-13	21601	2-123
20194	5-23	20704	5-13	21602	2-123
20195	5-23	20705	5-13	21603	2-123
20196	5-23	20706	5-13	21606	2-123
20197	5-23	20707	5-13	21614	2-123
20198	5-23	20709	5-13	21657	4-43
20199	5-23	20710	5-15	21659	4-43
20205	5-23	20711	5-20	21916	4-14, 4-29, 4-31, 4-33, 4-35
20245	5-23	20712	5-20	21920	4-33, 4-35
20256	5-27	20713	5-17	21922	4-33
20383	5-23	20714	5-17	21923	4-33, 4-35
20385	5-23	20715	5-18	21931	4-33, 4-35
20414	5-15	20716	5-23, 5-24	21977	4-33, 4-35
20420	5-23	20717	5-27	22140	2-51, 2-53, 2-55
20421	5-21	20719	5-27	222260	2-121
20422	5-21	20720	5-27	222290	2-145
20434	5-32	20721	5-27	222375	2-129
20437	5-35	20722	5-27	222460	2-107, 2-109, 2-111
20439	5-15	20723	5-27	222504	2-69, 2-71
20446	5-20	20725	5-25	22290	2-149
20447	5-20	20726	5-25	22604	2-67, 4-5
20448	5-25	20727	5-27	22622	4-7, 4-9
20512	5-34	20735	5-19	22654	4-9
20513	5-34	20739	5-3	22727	2-71
20514	5-20	20742	5-7	22731	2-71
20515	5-23	20744	5-7	22746	2-13, 3-39
20516	5-25	20745	5-7	22758	4-31
20517	5-13	20746	5-5	22775	2-13
20518	5-27	20747	5-5	22786	3-7
20520	5-23	20748	5-5	22787	3-7
20538	5-23	20749	5-5	22790	4-37, 4-41
20545	5-23	20750	5-5	22911	3-21
20546	5-23	20752	5-32	22912	3-21
20634	2-25	20753	5-32	23001	2-121
20642	5-27	20754	5-32	23002	2-121
20664	5-19	20755	5-33	23004	2-121
20665	5-17	20756	3-43	23005	2-121
20666	5-36	20778	4-39	23006	2-121
20678	5-17	20806	2-125, 2-127, 2-129	23007	2-121
20679	5-17	20810	2-131	23087	2-133
20680	5-17	20811	2-131	23088	2-133
20681	5-17	20833	2-123	23089	2-133
20682	5-17	20838	2-53, 2-55	23090	2-133
20683	5-17	20866	3-5	23271	2-131
20684	5-17	20885	4-39	23274	3-33
20685	5-15	20891	3-5, 4-39	23282	4-37, 4-39
20686	5-15	20892	4-39	23283	4-37, 4-39
20687	5-15	20895	3-5	23285	4-37, 4-39, 4-41
20688	5-15	20922	2-133	23456	3-29, 3-30
20689	5-15	20932	3-29, 3-30	23498	2-133
20690	5-25	20944	3-7	23524-1	2-121
20691	5-21	20950	3-7	23524	2-27
20692	5-21	20951	3-7	23786	2-105
20693	5-21	20952	3-7	23788	2-71, 2-119
20695	5-15	20988	4-39	24012	2-43, 2-45
20696	5-15	20989	4-39	24299	2-4, 2-5
20697	5-36	21197	2-93		



# CROSS REFERENCE

Part Number	Page Number	Part Number	Page Number	Part Number	Page Number
24339	2-67	31354	4-7, 4-9, 4-11, 4-15	34359	2-27, 2-29, 2-95, 2-97, 2-101, 2-109
24358	2-133, 2-135, 3-7, 4-37, 4-39, 4-41	31373	4-7, 4-9	34390	2-19, 2-29, 2-93, 2-113
24555	2-123	31375	4-15	34725	2-27
24576-1	3-9, 3-19	31377	4-7, 4-9	34738	2-147
24576	3-19	31381	4-15	34848	3-9
24899AM	2-103	31384	4-7, 4-9	34868	2-33
24924	2-37	31568	2-85, 2-87, 2-89, 2-91	35002	2-61
24976	2-35	31599	2-57, 2-59	35843	3-33
25046	2-107, 2-109, 2-111	31602	2-85, 2-87, 2-89, 2-91	361046	2-89
25049	2-73, 2-75	31613	2-93	36165	2-35
25066	2-35	31646	2-35, 2-97	36192	3-20, 3-21, 3-28
25312	3-25	31755	2-51, 2-53	363215	2-69, 2-71
25522	2-35	31922	3-9	36328	2-21, 2-103
25611	2-107, 2-109, 2-111	32129	2-139	363543	2-129
25730	2-115, 2-117	32270	2-13	36376	2-37
25736AM	2-115, 2-117	32483	2-47, 2-49, 2-73, 2-75	36438	3-19
26103	2-27	32486	2-35, 2-79	36439	3-19
26395-1	2-47, 2-49	32490	2-21, 2-23, 2-55, 2-69, 2-93	36466	2-117
27880	2-37	32491	2-47, 2-49, 2-59, 2-69, 2-71, 2-79, 2-139, 3-15, 3-17, 3-19	365164	2-127
28854	4-11	32492	2-73, 2-75, 2-93	36643	2-115
29192	3-11, 3-13, 3-15, 3-17	32493	2-121	36658	2-25
29260	2-37	32494	2-119	36661	2-25
29499	2-97	32495	2-105	36663	2-25
29558	2-97, 2-115	32495	2-105	36665	2-25
30013	2-51, 2-53, 2-55	32508	2-135	36666	2-25
30053	5-5	32613	2-135	368132	2-55
30068	5-3	32614	2-135	368298	5-11
30070	5-3	32662	2-119	369704	2-23
30071	5-3	32669	2-135	369781	2-69, 2-97, 2-101
30105	5-19	32716	2-107, 2-111	369810	2-13
30113	5-17	32731	2-119	369811	3-5
30114	5-17	32746	2-4, 2-5	369850	2-125, 2-127, 2-129, 4-39
30115	5-17	32969	2-69	370008	2-5
30116	5-17	32980	2-131	370009	2-5
30117	5-17	32981	2-31, 2-47, 2-49, 2-73, 2-75	370016	2-5
30118	5-17	32987	2-67	370076	2-5
30119	5-17	330710	3-43	370090	2-5
30120	5-17	33123	2-115	370092	2-5
30121	5-17	33295	3-3	372902	5-11
30122	5-17	33404	2-101, 2-107, 2-109, 2-111	372908	5-36
30125	5-11, 5-32	33580	4-3, 4-5	372909	5-36
30131	5-27	33595	2-35	372925	5-5
30132	5-27	33609	2-35	372926	5-11
30134	5-27	33612	2-21	372927	5-11
30135	5-26	33701	2-39	372928	5-11
30136	5-26	33736	2-39	372929	5-11
30241	2-5	33737	2-47, 2-49	372930	5-11
30251	2-103	33817	2-71	372931	5-11
30252	2-103	34096	2-27	372932	5-11
30253	2-103	34176	4-15	372952	5-36
30255	2-103	34178	4-3, 4-5	373317	4-27
30407	2-35	34179	4-3, 4-5	373327	4-27
30533	3-24	34312	2-15, 2-133, 2-147	373336	4-27
31286	5-4	34323	2-31	373337	4-27
31291	5-5	34355	2-85, 2-89	373340	2-99, 4-9
31294	5-7	34357	2-61, 2-63	373346	4-27
31298	5-7			373391	4-27
31299	5-7			373393	4-27
31339	5-13				

# CROSS REFERENCE

Part Number	Page Number	Part Number	Page Number	Part Number	Page Number
373394	4-27	374507	2-21	39057	5-3
373395	4-27	37454	4-21	39058	5-3, 5-7
373398	4-27	374560	2-67	39059	5-3
373402	4-27	374561	2-67	39060	5-3
373429	4-27	374563	2-67	39061	5-3
373434	4-27	374565	2-67	39062	5-3
373482	4-35	374568	3-31	39063	5-3
373485	2-79, 4-27	374585	2-125	39065	5-3, 5-7, 5-25, 5-26
373486	2-79, 4-19	374586	2-113	39066	5-3
373493	4-27	374599	2-43, 2-45	39067	5-3
373494	4-27	37460	4-21	39073	5-20
373499	4-27	374604	3-40	39087	5-5
373500	4-27	374605	3-40	39088	5-5
373501	4-27	374607	3-42	39093	5-5
373502	4-27	374608	3-42	39094	5-4, 5-5
373503	4-27	374613	2-107, 2-109, 2-111	39096	5-5, 5-24, 5-32, 5-33, 5-34, 5-35
373504	4-19	37462	4-21	39097	5-5, 5-7, 5-24, 5-30, 5-32, 5-33, 5-34, 5-35
373505	4-19	374628	2-99	39103	5-7
373506	4-19	374631	3-5	39104	5-7
373507	4-19	374688	3-41	39105	5-7
373508	4-19	374689	3-41	39106	5-7
373509	4-19	374700	2-127	39107	5-7, 5-32
373510	4-19	374701	2-127	39109	5-7
373511	4-19	374704	2-127, 2-129	39112	5-7
373512	4-19	37471	4-21	39113	5-7
373513	4-19	374712	2-127	39114	5-7
373514	4-19	374724	2-127, 2-129	39115	5-7
373515	4-19	374725	2-113	39116	5-7
373516	4-19	375014	3-29, 3-30	39117	5-7
373517	4-19	375322	3-3	39118	5-7
373518	4-19	375410	2-9, 2-11	39119	5-7, 5-26
373519	4-19	37555	4-7, 4-9, 4-11, 4-15	39120	5-7, 5-26
373520	4-19	375586	2-57	39121	5-7, 5-26
373521	4-19	37616	4-3, 4-5	39122	5-7
373522	4-19	37704	4-21	39128	5-13
373523	4-19	377084	2-145	39130	5-13
373524	4-19	377351	2-107, 2-109, 2-111	39138	5-24, 5-32, 5-36
373525	4-19	37756	4-3, 4-5	39139	5-5, 5-24, 5-35
373526	4-19	37766	4-3, 4-5	39141	5-34
373527	4-19	379001	4-37	39142	5-34
373528	4-19	379030	2-107, 2-109, 2-111	39143	5-34
373529	4-19	379120	2-19	391451	2-133, 2-139
373530	4-19	380547	2-35	39146	5-34
373531	4-19	380548	2-35	39147	5-34
373532	4-19	380564	2-35	39148	5-5, 5-7, 5-25, 5-34
373533	4-19	382516	2-151	39149	5-34
373534	4-19	38255	4-3, 4-5	39150	5-34
373535	4-19	383165	2-151	39151	5-34
373536	4-19	385421	2-119	39152	5-34
373537	4-19	385423	2-119	39153	5-34
373538	4-19	385427	2-119	39155	5-34
373539	4-19	385665	2-131	39156	5-34
373540	4-19	388134	2-13	39158	5-9
373590	4-35	38957	5-30	39161	5-9, 5-11
373611	4-35	38968	4-3, 4-5	39162	5-9, 5-11
373622	4-35	39051	5-3	39169	5-25
373624	4-35	39052	5-3	39170	5-9
373682	4-35	39054	5-3	39171	5-9
374298	4-23	39055	5-3		
37448	4-21	39056	5-3		

# CROSS REFERENCE

Part Number	Page Number	Part Number	Page Number	Part Number	Page Number
39172	5-9	39527	4-15	41791	5-4
39173	5-9	39534	2-31	41792	5-4
39174	5-9	39713	5-20	41805	5-34
39175	5-9	39780-1	2-33	41806	5-9
39176	5-9	397889	2-145	41807	5-9
39177	5-9	398208	2-69	41808	5-34
391809	5-3	398468	2-137	41812	5-17
39181	5-17	398474	2-137	41813	5-17
391835	5-5	40021	5-25	41857	5-27
39186	5-15, 5-17, 5-29	40032	5-25	41951	5-20
39188	5-17	40033	5-25	41955	5-26
39189	5-17	40040	5-25	41958	5-33
39193	5-15	40079	5-25	41959	5-20
391946	3-5	40080	5-25	41963	5-20
39197	5-15	40083	5-25	41965	5-20
39198	5-15	40159	5-26	41969	5-24
39199	5-15	40165	5-26	41971	5-20, 5-28
39200	5-15	40166	5-26	41972	5-28
39210	2-57, 2-59, 2-101	40203	5-26	41973	5-28
39223	5-19	40204	5-26	41974	5-24
392580	2-91	40231	5-26	41975	5-24
392600	2-75	40233	5-26	41976	5-24
392604	2-79	40333	5-21	41977	5-26
392607	2-89	40334	5-21	41978	5-26
392608	2-89	40362	2-93	42120-1	2-27
392609	2-79	40375	5-21	42196	2-37
392611	2-39	40398	5-21	42213	2-77
392626	2-63	40400	5-21	42215	2-93
392627	2-63	40407	5-21	42223	2-67, 2-77, 2-79
392628	2-45	40409	5-21, 5-33	42226	2-29, 2-77, 2-95
392629	2-49	40412	5-20	43290	2-101, 2-105
392630	2-35	40416	5-32	43611	2-53, 2-55
392631	2-35	40418	5-32	43844	2-47, 2-49, 2-53, 2-55, 2-125, 2-127, 2-129, 3-7
392632	2-35	40420	5-33		
392633	2-35	40421	5-33		
392643	2-45	40585	2-47, 2-49	43952	2-53, 2-55
392646	2-89	40607	2-33	44078	2-149
39272	2-65	40678	3-9, 3-18	44681-1	3-13, 3-17
39277	2-47, 2-49, 2-59	40814	2-119	44681-2	3-13, 3-17
39279	2-79, 2-93	41130	2-147	44681	3-13, 3-17
39285	2-73, 2-75	41139	2-47, 2-49	44868	2-31, 2-57, 2-59, 2-79, 2-93, 2-107, 2-109, 2-111
39313	2-69	41140	2-47, 2-49		
393203	2-55	41178	2-31, 2-57, 2-59		
393255	2-129	41186	2-13, 2-51, 2-53, 2-55, 2-59, 2-121, 2-147	44869	2-29, 2-71, 2-93, 2-103, 2-113
39349	2-69				
39350	2-29, 2-57, 2-59, 2-67, 2-71	41187	2-73, 2-75, 2-77, 2-119	44906	3-33
		41305	2-115, 2-117, 2-121	45261	3-35
39389	5-19	41342	2-121	45272	3-15, 3-17
39399	5-19, 5-30	41421	2-135	45622	4-3, 4-5
39458	5-30	41430	2-31, 2-43, 2-45, 2-73, 2-75, 2-101	45623	4-3, 4-5
39480	5-30			45628	4-7, 4-9, 4-11, 4-15
39481	5-30	41440	3-3	45779	3-11, 3-13, 3-15, 3-17
39508	5-27	41451	2-135	45780	2-13
39512	5-32	41454	2-135	46236	2-19, 2-25, 2-33, 3-15, 3-17
39513	5-24	41579	2-5, 2-139		
39518	5-20	41619	2-9, 2-11, 2-111, 2-115, 2-119	46481	2-113
39519	5-20			46563	2-71
39521	5-20	41787	5-3	46785-1	2-119
39523	5-20	41789	5-3	47167	2-35
39524	5-20	41790	5-4	47178-6	2-13

# CROSS REFERENCE

Part Number	Page Number	Part Number	Page Number	Part Number	Page Number
47501	2-99	52402	2-35, 2-57, 2-59, 2-93	54922	2-5
47504	2-35	52405	4-3, 4-5	54923	2-5
47508	2-35	52911	2-79	54925	2-5
47512	2-35, 2-59	52929	2-57, 2-59	54927	2-5
47522	2-67	53029	2-47, 2-49	55021	2-21
47585	2-149	53076	2-77, 2-79	55035	2-135
47701	3-3	53077	2-51, 2-53, 2-55	55130	2-25
47745	2-99	53078	2-47	55248	3-11, 3-13, 3-19
47752	2-93	53435	4-7	55272	3-11, 3-13, 3-15, 3-17
47754	2-35	53466	2-31, 2-95, 2-99, 2-129, 2-139	55433	2-9, 2-11
47801	2-27, 2-67	53576	3-33	55586	2-19, 2-29, 2-67, 2-95, 2-103, 2-107, 2-111
48079	2-107, 2-109, 2-111, 2-115	53610	3-33	55685	2-71, 2-149
48126	2-47, 2-49	53786	2-25	55686	2-57, 2-59
48267	2-47	53845	3-22	55697	2-89
48570	3-9	53910	2-27	55700	2-85, 2-89
48617	2-87, 2-91	53915	2-27	55779	2-103
48629	2-57, 2-59	53965	2-99	55849	5-4
48734	3-29, 3-30	53984	2-99	55864	2-3, 2-21
48739	3-29, 3-30	53985	2-103	55879	2-21
48742	3-29	54013	2-3, 2-21	55884	2-21
48743	3-30	54014	2-3, 2-21	55889	2-21
48813	4-14	54050	2-99	55890	2-3, 2-21
48988	3-3	54051	2-67	55892	2-21
49263	2-151	54052	2-67	55893	2-27
49266	2-55, 2-73, 2-75, 2-111, 2-113, 2-125, 2-127, 2-131, 2-133, 2-147, 3-7, 3-9, 3-11, 3-13, 3-19	54086	2-67	55914	2-27
49800	3-37	54087	2-67	55926	4-27
49826	2-119	54089	2-3, 2-21	55930	4-23, 4-25
49924	2-107, 2-109, 2-111	54093	2-51, 2-53	55932	4-23, 4-25, 4-27
50121	2-29, 2-31, 2-101, 2-105	54096	2-27, 2-101, 2-105	55937	4-23, 4-25
50238	2-133, 3-3	54121	2-25	55939	4-23, 4-25
50256	2-133, 3-3	54182	2-7	55941	4-23, 4-25
50304	3-28	54184	2-7	56166	2-121
50902	2-107, 2-109, 2-111	54190	2-7	56185	2-149
50960	2-77, 2-93	54192	2-7	56186	2-145, 2-155, 3-11, 3-13, 3-15, 3-17, 3-19
51109	2-71	54194	2-77	56346	2-151
51225	2-99, 3-35	54197	2-7	56610	2-25
51305	2-51, 2-53, 2-55	54204	2-103	56624	2-69, 2-97, 2-101
51317	2-27, 2-103	54274	2-29, 2-31, 2-43, 2-45, 2-51, 2-53, 2-55, 2-57, 2-59, 2-71, 2-73, 2-75, 2-95, 2-113, 2-147	56690	2-93, 2-113, 2-149
51322	2-53, 2-55	54275A	2-31, 2-147	56692	2-93, 2-99, 2-147
51338AM	2-67, 2-69, 3-40, 3-41, 3-42	54333	2-125, 2-127, 2-129, 2-137, 2-139, 2-141	56745	2-35
51339	2-67, 2-69	54390	2-69	56820	2-93
51448	2-103	54400	2-69, 2-97, 2-101	56820	2-57, 2-59, 2-67, 2-113
51449	2-103	54437	2-69	56821	2-79
51534	2-27	54467	2-69	56835	2-77
51538	2-99, 3-33, 3-35	54567	2-69	56855	3-35
51560-3	2-41	54577	2-69	56872	2-7, 3-31
51564	2-35, 2-103	54607	2-71	56890	2-7
51570	3-18	54615	2-13	56914	2-9, 2-11, 3-31
51782	2-35	54618AM	2-119	56992	2-13
51787	2-15, 3-28	54659	2-103	57160	2-87, 2-91
52142	2-61, 2-63	54660	2-99	57164	2-155
52296	2-97, 2-101	54680	2-103	57167	2-155
52386	4-23, 4-25	54688	2-97, 2-101	57173	2-87, 2-91
		54878	2-103	57219	2-87, 2-91
		54911-32	2-61, 2-63	57220	3-11, 3-13
				57224	2-127
				57411	2-109
				57479	2-51, 2-53, 2-55, 2-93

# CROSS REFERENCE

Part Number	Page Number	Part Number	Page Number	Part Number	Page Number
57751	2-155, 3-7, 3-11, 3-13, 3-15, 3-17, 3-19	59686	2-3, 2-21	64655	2-149
57772	2-145	59687	2-3, 2-21	64743	2-141
57803	2-155, 3-7, 3-11, 3-13, 3-15, 3-17, 3-19	59688	2-3, 2-21	64778	2-141
57807	2-125, 2-127, 2-129	59692	2-9, 2-11	64886	2-67
57889	2-37	59735	2-31	64887	2-67
57897	4-23, 4-25	59737	2-23	65145-1	2-77, 4-27
57944	2-85, 2-89	59738	2-23	65215	3-39
57949	2-89	59739	2-23	65221	2-3, 2-61, 2-63
57963	2-87, 2-91	59849	2-19	65224	2-87, 2-91
57966	2-87, 2-91	59899	2-97	65441	2-73, 2-75
57971	2-85	59949	2-13	65587	2-125
57972	2-87, 2-91	59962	2-37, 3-9	65869-5	2-3
57988	2-19, 2-71	59965	2-19	66018	2-5
58078	2-27	59966	2-27	66019	2-5
58103	2-21	59967	2-31	66176	3-33
58114	2-147	59971	2-151	66177	3-33
58120	2-41	59976	2-151	66178	3-33
58121	3-38	59977	2-151	66179	3-33
58366	2-35, 2-155	60284	3-9	66185	2-21
58482	2-25	60288	3-11, 3-13	66211	2-69
58483	2-25	60293	2-65	66213	2-69
58494	2-15, 2-23, 2-105, 3-20, 3-21, 3-28	60294	2-65	67004	3-28
58500	2-23	603012	2-139	67310	2-71, 2-77
58518	3-11, 3-15	60559	2-39	67366	2-129
58519	3-11, 3-15	60751	3-9	67683	2-93
58520	3-11, 3-15	61363	2-39	67767	2-47, 2-49, 2-125, 2-127, 2-129
58524	2-23	61490	4-7, 4-11, 4-15	68866	2-73, 2-75
58538	2-41	61529	2-39	68872	2-65
58770	2-9, 2-11	61531	2-39	68873	2-65
58842	2-67	61683	2-51, 2-53, 2-55	69173	2-31, 2-113
58858	2-93	61891	4-23, 4-25	69234	2-65, 2-127
59004	2-23	61920	3-19	69582	2-115, 2-117
59009	2-71	61931	2-39	69784	2-131, 3-5
59015	2-47, 2-49	62100	2-85, 2-89	69904	2-7
59105	2-21	62377	2-61, 2-63	69915	2-7
59192	2-9, 2-11	62389	2-77	69931	2-9, 2-11
59378	4-14	62595-16	2-17	69963	2-5
59431	2-5	62595-6	2-23	69998	2-119
59432	2-5	63248-1	2-5	70006	2-93
59440	2-5	63248-2	2-5	70094	4-23, 4-25
59442	2-23	63248-3	2-5	70095	4-23, 4-25
59447	3-11, 3-13	63248-4	2-5	70096	4-27
59448	2-23	63292	2-73, 2-75	70097	4-23, 4-25
59514	2-9	63430	3-28	70098	4-23, 4-25
59537	2-11	63448	3-28	70099	4-23, 4-25
59538	2-9	63451	3-28	70100	4-23, 4-25, 4-27
59542	2-19	63516	2-103	70101	4-23, 4-25
59545	2-25	63695	2-35	70103	4-23, 4-25
59579	2-87, 2-91	63818	2-51, 2-53, 2-55	70158	2-69
59629	2-25	63923	4-43	70160	2-39
59656	2-31	63987-1	2-125, 2-127, 2-129	70161	2-69
59658	2-113	64173AM	2-115, 2-117	70173	2-47, 2-49
59668	2-73, 2-75	64425	2-115, 2-117, 2-123	70178	2-23
59672	2-73, 2-75	64434	2-37	70182	2-23
59680	2-3, 2-21	64533	2-15	70185	2-23
59681	2-3, 2-21	64535	2-23	70219	2-149
59685	2-3, 2-21	64543	2-15	70222	3-31
		64545	2-15	70223	3-31
		64595	2-23	70224	3-31
		64651	2-149		

# CROSS REFERENCE

Part Number	Page Number	Part Number	Page Number	Part Number	Page Number
70226	3-31	72776	2-105	73101	2-77, 4-21
70227	3-31	72777	2-107, 2-109, 2-111	73102	4-23
70228	3-31	72786	2-35	73106	2-51
70229	3-31	72787	2-35	73107	2-85
70230	3-31	72805	2-19	73108	2-57, 2-59, 2-71
70275	2-9	72814	2-13	73109	2-77
70276	2-11	72824	2-17	73111	2-77
70622	2-149	72832	2-107, 2-109, 2-111	73112	2-147, 4-13
70623	2-149	72833	2-105	73113	2-61
70628	2-15	72836	2-105	73133	2-35
70646	2-151	72837	2-117	73142	2-131
70709	2-149	72838	2-117	73145	2-133, 3-3
70717	2-149	72839	2-107, 2-109, 2-111	73147	2-133, 3-3
70767	2-47, 2-49	72842	2-107, 2-111	73148	2-35, 2-79
70827	2-37	72847	2-101	73149	2-135
70847	2-37	72848	2-101	73205	2-153
70890	5-4	72849	2-101	73230	2-153
70891	5-4	72858	2-101	73234	2-153
70964	5-27	72859	2-111	73235	2-153
70983	5-21	72860	2-107	73239	2-153
71167	3-5	72864	2-117	73258	2-103
71168	3-5	72884	2-11	73260	3-7, 4-43
71199	2-123	72887	2-11	73261	2-101
71425	2-125	72888	2-9	73264	2-147
71477	3-22	72895	2-19	73268	2-147
71540	2-99	72897	2-19	73269	2-147
71543	3-15, 3-17	72898	2-19	73270	2-147
71544	3-19	72899	2-19	73274	2-37
71557	2-85, 2-89	72910	2-121	73281	2-67
71607	2-115, 2-117	72919	2-119	73282	2-61
71608	2-115, 2-117	72926	2-67	73283	2-61
71665	2-125, 2-127, 2-129	72934	2-115, 2-117	73292	2-35
71719	2-59	72945	2-111	73293	2-35
71743	2-89	72946	2-111, 3-35	73302	2-19
72065	2-23	72964	2-35	73320	2-25
72067	2-3	72965	2-35	73321	2-25
72068	2-3	72966	2-35	73322	2-25
72069	2-9, 2-11	72968	2-7, 2-9, 2-11, 2-21,	73323	2-25
72071	2-21		3-31	73328	2-47, 2-49
72086	3-33	72969	2-23	73335	2-47, 2-49
72087	3-33	72970	2-13, 2-145, 2-155	73336	2-47, 2-49
72114	3-11, 3-13	72971	2-23	73337	2-37
72120	2-9, 2-11	72977	2-65	73342	2-131, 4-37, 4-39,
72159	2-21	72980	2-21		4-41
72178	3-9	72981	2-21	73370	2-119
72458	2-103	72989	3-7	73372	2-119
72599	2-105	72990	3-7	73375	2-119
72627	2-37	72991	3-7	73377	2-21
72635	2-147	73027	2-149	73397	2-31
72663	2-107, 2-109, 2-111	73029	2-43	73399	2-29
72688	2-51, 2-53, 2-55	73032	2-35	73403	3-18
72715	2-119	73034	2-131	73404	3-20
72735	2-69	73061	2-149	73405	3-15, 3-17
72740	2-97	73068	2-19	73408	3-20
72741	2-97	73077	2-19	73411	2-73, 2-75
72743	2-97	73089	2-97, 2-121	73412	3-20, 3-21
72763	2-105, 2-119	73090	2-107, 2-109, 2-111,	73421	3-19
72768	2-105		4-11	73423	2-73
72773	2-107, 2-109, 2-111	73093	2-149, 4-17	73425	3-9
72775	2-107, 2-109, 2-111	73098	2-57, 4-12	73430	2-77, 2-79, 4-42

# CROSS REFERENCE

Part Number	Page Number	Part Number	Page Number	Part Number	Page Number
73433	3-3	74227	4-23, 4-25	77228	2-123
73440	3-9	74229	4-23, 4-25	77234	2-135
73455	3-9	74230	4-23, 4-25	77235	2-13
73457	3-11, 3-13	74231	4-17	77237	3-5
73461	3-15	74232	4-17	77239	2-77
73463	3-17	74233	4-12, 4-13, 4-14	77260	2-113
73468	2-131, 3-3	74234	4-17	77272	2-123
73470	3-18	74235	4-23, 4-25	77273	2-119
73478	3-3	74236	4-17	77275	2-119
73482	5-11	74237	4-23, 4-25, 4-27	77276	2-119
73527	5-17	74238	4-23, 4-25, 4-27	77277	2-119
74094	4-7, 4-9, 4-11, 4-15	74239	4-23, 4-25	77297	2-7
74095	4-11, 4-15	74240	4-21	77298	2-7
74098	4-3, 4-5, 4-9, 4-11, 4-15, 4-29, 4-31, 4-33, 4-35	74241	4-17	77302	2-87, 2-91
74099	4-11, 4-15, 4-19	74242	4-17	77303	2-85, 2-89
74100	4-7, 4-9, 4-11, 4-15	74243	4-17	77304	2-85, 2-89
74101	4-7, 4-9	74244	4-17	77305	2-85, 2-89
74122	4-3, 4-5	74245	4-17	77306	2-85, 2-89
74123	4-3, 4-5	74247	4-21	77307	2-85, 2-89
74125	4-3, 4-5	74248	4-23, 4-25	77308	2-85
74137	4-3, 4-5	74249	4-3, 4-5	77309	2-85
74145	4-31	74250	4-7, 4-9, 4-11, 4-15	77311	2-87, 2-91
74162	2-67, 4-3	74375	3-33	77312	2-85
74165	4-3, 4-5	74379	3-33	77314	2-85
74166	4-3, 4-5	74380	3-33	77315	2-85, 2-89
74167	4-3, 4-5	74381	3-33	77316	2-85
74168	4-3, 4-5	74382	3-33	77320	2-147
74171	4-3, 4-5	74383	3-33	77322	3-28
74174	4-15	74409	2-23	77329	2-43
74175	4-11	74468	2-103, 4-15	77331	2-115
74177	4-11	74469	4-23, 4-25	77333	2-115
74178	4-11	74944	2-63	77334	2-125, 2-127
74180	4-25, 4-27	75050	2-123	77335	2-97
74183	4-17	75272	2-13	77336	2-97
74185	4-17	75375	2-57, 2-59	77337	2-87, 2-91
74192	4-17	75456-3	2-147	77338	2-85
74193	4-17	75456-4	2-147	77343	2-131, 2-133
74196	4-17	75520	2-101	77345	2-67
74198	4-21	75611	2-131, 2-133	77347	2-115, 2-117
74199	4-21	75635AM	3-29, 3-30	77352	2-173
74200	4-21	75934	2-73, 2-75	77359	2-87, 2-91
74201	4-21	75968	2-149	77374	2-61, 2-63
74202	4-21	76099	2-9, 2-11	77375	2-23
74203	4-21	762521	2-13	78143	2-61, 2-77
74204	4-21	76315	2-77	78398	3-3, 4-37, 4-41
74205	4-21	76762	2-85, 2-89	78730	2-93
74206	4-21	76943	2-123	78732	3-11, 3-13
74207	4-21	76955	2-55	78740	2-131
74208	4-21	76957	4-27	78750	2-61, 2-63
74209	4-21	77097	2-19, 2-27, 2-29, 2-31, 2-95, 2-99, 2-101,	78773	5-35
74210	4-21		2-105, 2-107, 2-111, 2-113, 2-121, 2-147	78775	2-87
74211	4-21	77098	2-95	78776	2-85, 2-89
74212	4-21	77211	2-13	78777	2-85, 2-89
74213	4-21	77214	2-35	78779	2-87, 2-91
74221	4-23, 4-25	77221	2-173	78780	2-87, 2-91
74222	4-17	77222	2-147	78781	2-87, 2-91
74225	4-23, 4-25, 4-27	77224	2-119	78785	2-73, 2-75
74226	4-23, 4-25, 4-27	77227	2-123	78787	2-27
				78807	2-35
				78808	3-28

# CROSS REFERENCE

Part Number	Page Number	Part Number	Page Number	Part Number	Page Number
78810	2-87, 2-91	79726	4-31, 4-33, 4-35	83784	2-51, 2-53, 2-55
78811	2-85	79727	4-31, 4-33, 4-35	83794	2-123
78820	2-87, 2-91	79728	4-29, 4-31, 4-33, 4-35	83798	3-3
78821	2-87, 2-91	79731	4-29, 4-33, 4-35	83799	3-3
78829	4-37, 4-39, 4-41	79732	4-29	83800	2-123
78830	4-37, 4-41	79733	4-29	83801	2-123
78833	4-37, 4-39, 4-41	79735	4-33, 4-35	83804	2-123
78836	4-37, 4-39, 4-41	79736	4-33	83806	3-3
78838	4-37, 4-41	79737	4-33, 4-35	83807	3-3
78839	4-37, 4-39, 4-41	79738	4-31, 4-33, 4-35	83809	2-123
78840	2-131, 4-37, 4-39, 4-41	79740	4-29, 4-31, 4-33, 4-35	83810	2-123
78841	4-37, 4-39, 4-41	79770	2-77, 4-25	83811	2-133
78842	4-37, 4-39, 4-41	79828	4-3, 4-5	83812	2-133
78843	4-37, 4-39, 4-41	80950	2-55	83816	2-15
78845	2-41	81952	2-123	83822	2-13, 3-39
78846	2-41	82063	3-11, 3-15	83827	2-15
78855	2-13	82196	3-37	83839	2-15
78875	4-43	82200	3-13, 3-17	83841	2-47, 2-49
78886	2-31	82229	2-29	83842	2-13
78887	2-31	82475	2-25	83843	2-15
78898	2-93	82483	2-21	83844	2-51, 2-53, 2-55
78904	3-33	82579	2-35	83845	2-51
78906	2-19	82597	2-37	83847	2-133
78907	2-19	82689	2-47, 2-49	83856	2-15
78928	2-51	82693	2-3, 2-35	83859	2-35
78935	3-9	82731	2-39	83870	2-101
78936	2-19	82739	2-33	83872	2-131
78937	2-47	82802	2-109	83873	2-15
78944	2-101	82814	2-87, 2-91	83874	2-123
78979	2-123	82817	2-85, 2-89	83879	2-73, 2-75
78981	3-22	82825	2-95, 2-107, 2-111, 2-113, 2-121	83887	2-73, 2-75
78985	3-24	82826	2-87	83892	2-73, 2-75
78987	3-25	82832	2-67, 2-103	83894	2-73, 2-75
79217	2-123	82833	2-111	83897	2-73, 2-75
79219	2-123	82839	2-7, 2-73, 2-75	83898	3-20
79273-1	2-141	82844	2-85, 2-89, 2-91	83979	2-17
79283	2-3	83563	2-43, 2-45	83989	2-73, 2-75
79320	2-135	83564	2-115, 2-117	83992	2-123
79376	2-105	83565	2-115, 2-117	84007	3-26
79380	2-147	83568	2-115	84008	4-14
79381	2-61, 2-63	83569	2-117	84009	2-31, 4-14
79397	3-18	83575	2-53	84010	2-113, 4-33
79399	2-35	83581	2-39	84011	2-29, 4-29
79425	2-25	83630	2-125, 2-127	84012	2-95, 4-31
79447	2-121	83703	2-73, 2-75	84017	2-35
79497	3-3	83721	2-172	84018	2-15, 3-20, 3-21, 3-28
79710	4-42	83722	2-172	84021	2-105
79711	4-29, 4-31, 4-33, 4-35	83724	2-133	84027	2-173
79713	4-42	83725	2-7	84029	2-107
79714	4-42	83733	2-121	84030	2-51, 2-53, 2-55
79715	4-42	83740	2-51	84035	2-15
79716	4-29, 4-31, 4-33, 4-35	83749	2-121	84036	2-73, 2-75
79718	4-31, 4-33, 4-35	83753	2-51	84037	2-17
79719	4-29, 4-31	83756	2-121	84038	2-17
79721	4-31	83772	2-13	84039	2-13
79722	4-31, 4-33, 4-35	83775	2-17	84040	2-13
79723	4-31, 4-33, 4-35	83778	2-17	84041	2-13
79724	4-31	83780	2-121	84042	2-31
79725	4-31	83781	2-121	84048	2-13
				84049	2-13



<b>Part Number</b>	<b>Page Number</b>	<b>Part Number</b>	<b>Page Number</b>
84050	2-13	86332	3-9
84052	2-151	86381	2-155
84053	2-153	86508	3-3
84054	2-47, 2-49	86591	2-131, 2-133
84056	2-125	86636	2-133, 3-7
84057	2-125	86755	2-131
84061	2-151	86759	2-115, 2-117
84062	2-153	86824	2-125, 2-127, 2-129, 3-3
84065	2-15	86860	2-115, 2-117, 3-35
84067	2-105	86865	2-117
84071	3-28	86866	2-115, 2-117, 2-121
84073	3-19	86952	2-107, 2-109, 2-111
84076	3-21	87299	2-31
84078	3-43	87319	2-155
84084	3-7	87396	2-47, 2-49
84086	2-17	87536AM	2-151
84092	2-117	87631	2-103
84093	2-115	87651	2-87, 2-91
84095	2-125, 2-127, 2-129	87652	2-87, 2-91
84097	2-93	87676	2-147
84098	2-13	87677	2-107, 2-111
84100	2-17	87681	2-85, 2-89
84101	2-47	87816	2-115, 2-117
84102	2-73, 2-75	87866	2-151
84103	2-73, 2-75	87948	3-9
84109	2-13	9000355	2-49
84110	2-125, 2-127	9000681	2-93
84112	3-39	9000845	3-15, 3-17
84116	2-117	9000846	3-11, 3-13
84118	2-115	9000879	3-11, 3-13, 3-15, 3-17
84119	2-125	9001070	2-57, 2-59
84121	2-125, 2-127	9001245	2-9
84122	2-85	9001246	2-11
84127	2-53, 2-55	9002675	2-93
84128	2-53	9002708	4-41
84129	2-55	9002709	4-41
84132	2-53, 2-55	9003054	2-133
84134	2-53, 2-55	9003609	2-49
84136	2-53, 2-55	97031	2-71
84137	2-47, 2-49	97163	2-73, 2-75
84140	2-125		
84141	2-151		
84143	2-35		
84144	2-35		
84145	2-85		
84146	2-85		
84147	2-85, 2-89		
84148	2-87		
84168	2-85		
84169	2-61, 2-63		
84170	2-73, 2-75		
84581	2-99		
84593	2-123		
84596	2-67		
84597	2-67		
85391	3-43		
86041	2-39		
86240	2-69, 2-121		
86328	2-29, 2-93		
86330	3-11, 3-13		

**PART DESCRIPTION TO PAGE NUMBER CROSS REFERENCE LIST**

**A**

Adaptor,Oil Ku, 2-35  
 Air Cleaner, 2-41  
 Alarm Kit, Backup, 3-19  
 Alternator Pulley MD, 2-39  
 Alternator, 12Vdc 075A, 2-39  
 Alternator, 50A/12V Mando, 2-39  
 Angle Wldt, Panel, 2-15  
 Angle, Battery, 2-65  
 Angle, Cable Keeper, 2-97, 2-101  
 Angle, Filler Plate, 3-31  
 Angle, Hopper, 2-21  
 Angle, Retainer, Spring, 2-97, 2-107, 2-109, 2-111  
 Angle, Stiffener, Tray, Filter, 2-25  
 Angle, Stop, 3-33  
 Arm Assy, Lift, Lh W/Label, 2-19  
 Arm Assy, Lift, Rh W/Label, 2-19  
 Arm Assy, Safety W/Label, 2-19  
 Arm Wldt, Bottom, 2-119  
 Arm Wldt, Brush, Drive, 2-103  
 Arm Wldt, Idlerr, W/Brush, 2-103  
 Arm Wldt, Propel 8410, 2-73, 2-75  
 Arm Wldt, Support, Sqge,Lh, 2-107  
 Arm Wldt, Support, Squeegee,Rh, 2-111  
 Arm Wldt, Top, Lh, 2-119  
 Arm Wldt, Top, Rh, 2-119  
 Arm Wldt, 3-35  
 Arm, Lift, 2-99  
 Arm, Propel, Lower 8410, 2-73, 2-75  
 Arm, Squeegee Lift Front, 2-115, 2-117  
 Arm, Squeegee Lift Rear, 2-115, 2-117  
 Arm, 2-119  
 Armrest Assy, Rh, 3-22  
 Armrest, Molded, 2-13  
 Assy Apparatus. I/D., 5-21  
 Assy Bolt, Adjusting, 5-21  
 Assy Camshaft, Fuel, 5-20  
 Assy Camshaft, 5-15  
 Assy Case Maiin Brg., 5-13  
 Assy Case. Main Brg., 5-13  
 Assy Case, Gear, 5-7  
 Assy Case, Main Brg, 5-13  
 Assy Cock, Jet Start, 5-24  
 Assy Connecting Rod, 5-17  
 Assy Holder. Nozzle, 5-27  
 Assy Lever. Eng. Stop, 5-21  
 Assy Lever, Fork, 5-25  
 Assy Pipe, Fuel, 5-24  
 Assy Pipe, Over Flow, 5-27  
 Assy Piston Ring, 5-17  
 Assy Plate, Lock, 5-23  
 Assy Pump. Injection, 5-23  
 Assy Pump, Injection, 5-24  
 Assy Pump, Oil, 5-3  
 Assy Pump, Water, 5-33  
 Assy Rocker Arm, 5-34  
 Assy Seal, Mechanical, 5-33  
 Assy Shaft, R-arm, 5-34  
 Assy Starter, 5-30

Assy Tappet, 5-23  
 Assy Thermostat, 5-32

**B**

Backflush,Cover Lid, 4-39  
 Backplate Assy, 4-23, 4-25  
 Backplate S/A Ce, 4-21  
 Ball Cl, 4-17  
 Ball Joint, 10-32, 2-37  
 Ball Joint, 250-28, 2-37, 2-73, 2-75  
 Ball, .313 Dia. Cp, 4-31, 4-33, 4-35  
 Ball, 4-3, 4-5, 5-7, 5-17, 5-20  
 Balljoint, Rod End 5/8-18, 2-119  
 Balljoint, Rod End, 2-67  
 Band, Pipe, 5-32  
 Banjo Fuel, 2-47, 2-49  
 Bar, Adjustment, Pivot, 2-105  
 Bar, Link, 2-27  
 Bar, Rnd Plstc .375D 14.62L, 2-133  
 Bar, Rnd Plstc .375D 14.62, 2-133  
 Bar,Shaker Spring, 2-25  
 Bar,Shaker, 2-25  
 Bar-Fit .06T 1.00W 4.00L,Rbr, 2-25  
 Bar-Fit .06T 4.00W 5.00L,Rbr, 2-25  
 Battery, 12V, Cc Amps:600 Wet, 2-65  
 Bearing Assy, 4-19  
 Bearing Cam, 4-23, 4-25  
 Bearing Ce, 4-21  
 Bearing Cl, 4-17  
 Bearing Race, 4-21  
 Bearing Thrust, 4-7, 4-9  
 Bearing. Ball, 5-20  
 Bearing, .625B X .38, 2-115, 2-117  
 Bearing, 1.00 Dia X .38 L, 2-121  
 Bearing, Ball, 5-20, 5-33  
 Bearing, Brake, 2-71  
 Bearing, Cone, 1.38b 0.71w, 2-69  
 Bearing, Cone, Pump, Hyd, 4-27  
 Bearing, Cup, 2.56d 0.55w, 2-69  
 Bearing, Cup, 2.56Dia 0.55W, 3-40, 3-41, 3-42  
 Bearing, Cup, 4-27  
 Bearing, Flange .500B, 2-149  
 Bearing, Flange .625B X .50, 2-115, 2-117  
 Bearing, Flange, .750 Bore, 2-105, 2-119  
 Bearing, Flange, 1.00 Bore, 2-119  
 Bearing, Flange, 2-121  
 Bearing, Pillowblock, 1.02b [Solid Pye], 2-69  
 Bearing, Self Align, Sealed, 2-19  
 Bearing, Thrust .500, 2-115, 2-117, 3-35  
 Bearing, Thrust, Pump, Hyd, 4-27  
 Bearing, Thrust, 2-123, 4-23, 4-25  
 Bearing&Clr ,.125B 2.44D 1.41W, 2-103  
 Bearing-Ball,.669B 1.575D .472W, 2-39  
 Bearing-Ball,1.38B 2.83D 0.67W, 2-103  
 Bearing-Cone, 1.38Bore 0.71Wth, 2-67  
 Bearing-Cup , 2.56Dia 0.55Wth, 2-67  
 Bearing-Flange,2 Hole .625Bore, 2-27  
 Bearing-Flange,2 Hole 0.50Bore, 2-149

Bearing-Self Align 1.250 Bore, 2-27  
 Bearing, 4-21  
 Bellcrank Kit, Lower, 2-121  
 Bellcrank Kit, Upper, 2-121  
 Bellows Kit Gr, 4-43  
 Bellows, .75 Id 10.3L, 2-133, 3-3  
 Blade Assy, Squeegee, Side, Rh, 2-115, 2-117  
 Blade, Deflector, 2-7  
 Blade, Squeegee, 2-123  
 Block, Fuse, 2-155  
 Block, Mtg, Spacer, Plstc, 2-113  
 Bolt Cl, 4-3  
 Bolt. Cylinder Head, 5-5  
 Bolt, Adjusting, 5-26  
 Bolt, Bearing Case, 5-13  
 Bolt, Carrm 8X1.25, 2-7  
 Bolt, Connecting Rod, 5-17  
 Bolt, Flange, 5-4  
 Bolt, Flywheel, 5-19  
 Bolt, Lever Shaft, 5-25  
 Bolt,Hold Down,Battery, 7.5 Lg, 2-65  
 Bolt-Eye, .25-20Th .25B 1.4L, 2-107, 2-109, 2-111, 2-115  
 Bolt-Eye, .25-20Zinc.56D 2.00L, 2-21  
 Bolt-Eye, .31-18Th.18B 2.75L, 2-101  
 Bolt-Eye, M 8X1.25 .328 1.18L, 2-119  
 Bolt, 2-123, 4-3, 4-5, 4-19, 5-3, 5-4, 5-5, 5-7, 5-11, 5-13, 5-15, 5-19, 5-20, 5-21, 5-23, 5-24, 5-25, 5-26, 5-28, 5-30, 5-32, 5-33, 5-36  
 Boot, Alternator, 2-39  
 Boot, Circuit Breaker, 3-19  
 Boot, Dome, .72id .72l, Clear, 3-11, 3-13, 3-15, 3-17  
 Boot, Switch, Ignition, 2-151  
 Boot, Switch, 2-151  
 Boot,Batt.Term. 1-2Ga. Red, 2-65  
 Boot,Batt.Term.1-2Ga. Black, 2-65  
 Boot,Circuit Breaker, 2-155, 3-7  
 Bracket Alt Kubota Se, 2-39  
 Bracket Kit, Door Hinge, Ci, Lh, 2-9  
 Bracket Kit, Door Hinge, Ci, Rh, 2-11  
 Bracket Kit, Spring, Replmt, 2-23  
 Bracket Tie Down, 3-37  
 Bracket Wldt, Fan, 2-35  
 Bracket Wldt, Mtg, Dsl, Front, Rh, 2-35  
 Bracket Wldt, Mtg, Motor [2007], 2-59  
 Bracket Wldt, Mtg, Valve, 2-95  
 Bracket Wldt, Pump [8400 Fast], 2-139  
 Bracket Wldt, Spring, Gas, Hppr Cover, 2-23  
 Bracket Wldt, Steering, Tilt, 2-149  
 Bracket Wldt, 2-61, 2-63  
 Bracket, Retainer, 2-73, 2-75  
 Bracket, Adjustment, Sidebrush, 2-97  
 Bracket, Alarm Backup, 3-19  
 Bracket, Angle, Keeper, Cable, 2-69  
 Bracket, Angle, 3-3  
 Bracket, Brush Lift Adj M10, 2-101  
 Bracket, Cable Clip, 2-121

Bracket, Clamp, 3-3  
 Bracket, Detergent Tank, 3-7  
 Bracket, Eng, Lh, Rear, Lower, 2-35  
 Bracket, Eng, Rh, Rear, Upper, 2-35  
 Bracket, Eng, Lh, Rear, Upper, 2-35  
 Bracket, Fan, 2-147  
 Bracket, Filter, 2-25  
 Bracket, Flap, Recirculation, 2-7  
 Bracket, Flasher, 3-9, 3-19  
 Bracket, Gusset, Corner, Lh, 2-23  
 Bracket, Gusset, Corner, Rh, 2-23  
 Bracket, Gusset, Rear, 2-121  
 Bracket, Hose, Clamp Down, 2-7  
 Bracket, Hose, 2-103  
 Bracket, L, 2-153  
 Bracket, Light, Sbdc, 3-9  
 Bracket, Metering Pump, 3-7  
 Bracket, Motor, 2-99, 2-107, 2-109, 2-111  
 Bracket, Mounting Motor, 2-147  
 Bracket, Mounting, Fan, 2-147  
 Bracket, Mounting, Flow Switch, 2-77  
 Bracket, Mounting, Fuel Pump, 2-47, 2-49  
 Bracket, Mounting, Manifold Wa, 2-125  
 Bracket, Mounting, Seat Kit, 3-23  
 Bracket, Mounting, Seat, 3-23  
 Bracket, Mounting, 3-18  
 Bracket, Mtg, Dsl, Front, Lh, 2-35  
 Bracket, Mtg, Dsl, Rear, Lh, 2-35  
 Bracket, Mtg, Dsl, Rear, Rh, 2-35  
 Bracket, Mtg, Gas Spring, 2-15  
 Bracket, Mtg, Hinge, Lh, 2-9  
 Bracket, Mtg, Hinge, Rh, 2-11  
 Bracket, Mtg, Light, Ohg, 3-11, 3-13  
 Bracket, Mtg, Manifold, Soltn, 2-127  
 Bracket, Mtg, Manifold, Water, 2-127, 2-129  
 Bracket, Mtg, Motor, 2-31  
 Bracket, Mtg, Oil Filter, 2-35  
 Bracket, Mtg, Sol Valve [8400], 2-137  
 Bracket, Mtg, Valve, Soltn, 2-127, 2-129  
 Bracket, Pivot, Sq Lift Lh, 2-117  
 Bracket, Pivot, Sq Lift Rh, 2-115  
 Bracket, Propel Adj. Guide, 2-73, 2-75  
 Bracket, Retainer, Spring, 2-4, 2-5  
 Bracket, Rocker Arm, 5-34  
 Bracket, Safety Clip, 2-73, 2-75  
 Bracket, Sbdc, 3-33  
 Bracket, Shock, 2-73, 2-75  
 Bracket, Side Brush, 2-97  
 Bracket, Solenoid Valve, 4-39  
 Bracket, Spring, 2-121  
 Bracket, Support, Cable, 2-117  
 Bracket, Support, Cylinder, 2-97  
 Bracket, Support, Pulley, 2-97  
 Bracket, Support, 2-51, 2-57, 2-59, 2-71  
 Bracket, Switch, 3-9  
 Bracket, Throttle, Engine, 2-37  
 Bracket, Wldt, Light, Rotating, 3-15, 3-17  
 Bracket, Wldt, Propel Adj., 2-73, 2-75  
 Bracket, Rear Tiedown, 3-37  
 Bracket, 2-25, 2-135, 3-9  
 Brake Assy, Drum, Mech, 07.9d [6600], 2-69

Brake Kit, Repair, 2-69  
 Breaker-Circuit 10 Resetable, 2-155  
 Breaker-Circuit, 15A Resetable, 2-155, 3-7, 3-19  
 Breather, Hyd Cap 40Mic 8.5Ds, 2-93  
 Brush Assy, Disk, Scb, 16.0 D, Bassine 500, 2-5  
 Brush Assy, Disk, Scb, 16.0 D, H.D. Polypropylene, 2-4  
 Brush Assy, Disk, Scb, 16.0 D, Soft Nylon, 2-5  
 Brush Assy, Disk, Scb, 16.0d, Polypropylene, 2-5  
 Brush Assy, Disk, Scb, 16.0d, Super Abrasive, 2-5  
 Brush Kit, 2-39, 4-37  
 Brush, Disk, Swp, Flat Wire, 2-5  
 Brush, Disk, Swp, Nylon, 2-5  
 Brush, Disk, Swp, Polypropylene, 2-5  
 Brush, Swp, 45l, Wedge, Polypropylene, 2-5  
 Brush, Swp, 45l, Wndw, Polypropylene, 2-5  
 Brush, Swp, Nylon, 2-5  
 Brush, Swp, Patrol, Nylon, 2-5  
 Brush, Swp, Polypropylene & Wire, 2-5  
 Brush, Swp, Polypropylene, 2-5  
 Brush, Swp, Union mix Wire, 2-5  
 Brush, Swp, Wire, 2-5  
 Bshg, Flange, 0.50Bx0.62Odx0.40L, 3-33  
 Bshg, Sleeve, 0.37Bx0.50Odx0.50L, 2-71  
 Bulb GE, 3-18  
 Bulb, 12V .1A 01Cp #53, 3-9  
 Bulb, 12V .27A 2Cp #194, 3-9  
 Bulb, 12V .5A 4Cp #1157, 2-13  
 Bulb, 12V .9A 15, 3-19  
 Bumper Wldt, Front, 2-23  
 Bumper, Rubber, 2-15, 3-28  
 Bumper, Squeege, 2-123  
 Bumper, Rbr, W. Knurled Stud, 3-35  
 Bush, Idle Gear, 5-15  
 Bush, Piston Pin, 5-17  
 Bushing, Flanged, .625 Id, 2-107, 2-109, 2-111  
 Bushing, Flng, 0.32b 0.50d 0.24l, Bnz, 2-55  
 Bushing, Sleeve, 0.50b 0.59d 0.38l, St, 2-117  
 Bushing, Sleeve, 0.50b 0.59d 0.38l, Stl, 2-115  
 Bushing, Spanner, 2-123  
 Button, Pivot Ce, 4-21  
 Button, Plug, 2.00h .04-.19 [Chm Stl], 2-13  
 Button, Plug, Switch, 1.45 X 0.83 Hole, 2-145

**C**

Cable, Adj, Main Brush, 2-101  
 Cable, Brushlift, 2-101  
 Cable, Lift, Side Brush, 2-97  
 Cable, Push-Pull, 2-37

Cable, Push/Pull, 2-117  
 Cable, Ss .19d 082.1l .4clevis /.4clevis, 2-69  
 Cable, 2-105, 2-121  
 Cabletie Mount, Adhesive, 3-19  
 Cam, 2-123  
 Camplate Ce, 4-21  
 Camplate, 4-23, 4-25  
 Camshaft, Fuel, 5-20  
 Camshaft, 5-15  
 Canoe Clip, 2-13  
 Cap Assy, Pos Drain, 3-29, 3-30  
 Cap Assy, Tank, Drain, 4-41  
 Cap Assy, Tank, 4-37  
 Cap Drain, 2-135  
 Cap Radiator, 2-51, 2-53  
 Cap Tank, 2-133, 2-135, 3-7  
 Cap, Drain Hose, 2-135  
 Cap, Drain, 3-29, 3-30  
 Cap, End Cl, 4-17  
 Cap, Fuel, Tank, 2-49  
 Cap, Fuel, 2-47  
 Cap, Hub, Dust 2.57d 0.77l, 2-69  
 Cap, Neoprene, Black, 2-125, 2-127, 2-129  
 Cap, Plate, 2-131  
 Cap, Radiator, 15psi, [Stant #a02502], 2-55  
 Cap, Screw Cl, 4-15  
 Cap, Screw, 4-11, 4-15  
 Cap, Sealing, 5-3, 5-5  
 Cap, Tank, Overflow, 2-51, 2-53, 2-55  
 Cap, Tank, 4-39  
 Cap, Valve, 5-34  
 Cap, Wheel, Steering, 2-149  
 Cap, 5-21, 5-26  
 Cart, Psi Ct Cp, 4-33, 4-35  
 Cart, Check Vlv Cp, 4-31  
 Cart, Check Vlv, 4-42  
 Cart, Psi Control, 4-33, 4-35  
 Cart, Logic Cntl Cp, 4-31, 4-33, 4-35  
 Cart, Pilot Cntr Cp, 4-31  
 Cartridge, Solenoid Valve, 4-14  
 Cartridge, 2-3  
 Case, Governor Ball, 5-20  
 Case, Replmt Kit, 2-151  
 Chain, Link#2/0, 5 Links Plain, 2-7  
 Channel Wldt, 3-35  
 Channel, Mounting, Radiator, 2-51, 2-53, 2-55  
 Channel, Mounting, Steering La, 2-149  
 Channel, Mtg, Fan Motor, 2-57  
 Channel, Retainer, Seal, Rear, 2-7  
 Check Valve Kit, 4-37, 4-39  
 Cir-clip, Gov. Sleeve, 5-20  
 Cir-clip, External, 5-15, 5-20, 5-34  
 Cir-clip, 5-20  
 Circuit Board Rpl Kit F/83716, 2-153  
 Circuit Board Rpmt Kit F/71591, 2-151  
 Circuitbreaker, 15.0a [Resetable], 3-11, 3-13, 3-15, 3-17  
 Clamp Assy, 2-41  
 Clamp Wormdrive, 1.25-2.00, 2-61, 2-63  
 Clamp Wormdrive, 3.75-4.62, 2-147

## CROSS REFERENCE

- Clamp, Angle, Hose, 2-31  
Clamp, Cable .44D .62Wide, 3-18  
Clamp, Cable 1.5 Dia, 2-93  
Clamp, Cable 3.00D 1.00W STL, 2-147  
Clamp, Cable, Stl, 0.25d X 0.56w, 1h, 3-15, 3-17  
Clamp, Cable, Stl, 0.69d X 0.62w, 1h, 2-47, 2-49  
Clamp, Cable, Stl, 0.75d X 0.75w, 1h, 2-137  
Clamp, Cable, Stl, 0.9x1.8x0.62w, 1h, 2-127  
Clamp, Cable, Stl, 1.00d X 0.62w, 1h, 2-127  
Clamp, Cable, Stl, 1.0x2.0x0.62w, 1h, 2-129  
Clamp, Cable, Stl, 1.50d X 1.00w, 1h, 2-31, 2-129, 2-139  
Clamp, Cord, 5-27  
Clamp, Hose, Plstc .351-.394 Id, 2-139  
Clamp, Hose, Wormdrive, 0.31-0.88d, .31w, 2-137, 2-139, 2-141  
Clamp, Hose, Wormdrive, 0.81-1.50d, .56w, 2-129  
Clamp, Hose, 2-95, 2-99, 2-135, 3-5, 5-11  
Clamp, Loop, 3.0 I.D., 2-15  
Clamp, Mtg, Tank, 2-131  
Clamp, Pipe, 5-9, 5-27  
Clamp, Cable .44D .62Wide, 3-9  
Clamp, Cable 1.25Dia 1.00W Neo, 2-35, 2-155  
Clamp, Mounting, Cyclopac Aircl., 2-41  
Clamp-Cable 1.50D 1.00W STL, 2-29  
Clamp-Cable 3.00D 1.00W Stl (Diesel only), 2-133  
Clamp-Cable, 0.25D 0.56W Stl, 2-25  
Clamp-Cable, 0.25Dia 0.56Wth, 2-33  
Clamp-Cable, 0.56Dia 0.38Wth, 2-47, 2-49  
Clamp-Cable, 1.00Dia .62Wth, 2-65  
Clamp-Cable, .69Dia. 62Wth, 2-125, 2-127, 2-129  
Clamp-Cable, 2-19  
Clamp-Conduit, 1 Hole 0.50Dia, 2-117  
Clamp-Muffler, For 1.62 Od Tube, 2-43, 2-45  
Clamp-Tube 2 Hole, 2-61, 2-63  
Clamp-Wormdrive 0.50-1.06D, 2-125, 2-127, 2-129, 3-3  
Clamp-Wormdrive, 0.25- 0.62D, 2-47, 2-49, 2-125, 2-127, 2-129, 3-7  
Clamp-Wormdrive, 0.25-0.62D, 2-53, 2-55  
Clamp-Wormdrive, 0.31- 0.88D, 2-125, 2-127, 2-129  
Clamp-Wormdrive, 1.81- 2.75D, 2-41  
Clamp-Wormdrive, 3.56-4.50D, 2-133  
Clevis, Adj, 0.38pin, M12x1.75, 2-69  
Clip, Christmas Tree, 2-17  
Clip, Keeper, Open, 2-35  
Clip, Pipe, 5-24, 5-27  
Clip, Piston Pin, 5-17  
Clip, Safety, Gasspring, 2-23  
Clip-Finger Grip, 3-28  
Cock, Drain, 5-3  
Coil, 12V, 4-29, 4-31, 4-33, 4-35  
Coil, 4-14  
Collar, Crankshaft, 5-17  
Collar, Locking, Plated, 2-27  
Collar, Spring Ce, 4-21  
Collar, 5-15, 5-20, 5-26  
Collet, Valve Spring, 5-34  
Column, Pump, Water, 4-41  
Column, Pump, 4-37  
Column, Steering #2 10Lg Wire, 2-149  
Column, 4-39  
Combustion Chamber, 5-5  
Comp. Crankcase, 5-3  
Comp. Crankshaft, 5-17  
Comp. Cylinder Head, 5-5  
Comp. Flange, Water, 5-32  
Comp. Flywheel, 5-19  
Comp. Gear, Idle, 5-15  
Comp. Lever, Governor, 5-25  
Comp. Oil Pan, Shallow, 5-4  
Compensator Ce, 4-21  
Compensator, Psi And Flow, 4-19  
Cooler, Hyd 25Gpm 400Btu 0500, 2-51  
Cooler, Hydraulic, 2-53, 2-55  
Cord, Glow Plug, 5-27  
Cord, Sponge, 2-3, 2-21  
Coupler, Female X Hose Shank, 3-29, 3-30  
Coupler, 2-77  
Coupling Assy, Flywheel 8.75Bc, 2-35  
Coupling, 4-19  
Cover Assy, End, 4-27  
Cover Assy, Head, Cyl, 5-11  
Cover Assy, Hppr, 2-23  
Cover Ce, 4-21  
Cover Lid, 2-133, 3-7  
Cover Wldt, Engine, Top, 2-15  
Cover, Battery W/Tread, 2-13  
Cover, Bearing Case, 5-13  
Cover, Breather, 5-11  
Cover, Brush Press Linkage, 3-39  
Cover, Cleanout, 2-135  
Cover, Cyl. Head, 5-9  
Cover, End, 4-19  
Cover, Fuel Camshaft, 5-20  
Cover, Injection Pump, 5-21  
Cover, Insert, 2-135  
Cover, Instr, Panel [8400], 2-139  
Cover, Linkage, Brush Pressure, Ce, 2-13  
Cover, Lintel 8410 W/Fasteners, 2-17  
Cover, Motor, 3-5  
Cover, O-Ring, 4-23, 4-25  
Cover, Rocker Switch Seal, 2-125, 2-127, 2-129  
Cover, Sbdc, 3-33  
Cover, Tank, Recovery Es, 2-133  
Cover, Tank, Recovery W/Label, 2-133  
Cover, Thermostat, 5-32  
Cover, Trunion, 4-23, 4-25  
Cover, 4-19, 4-21, 4-23, 4-25, 5-7  
Crank Replmt.Kit, Pump F/79323, 4-43  
Cup Assy, 2-41  
Cushion, Piston, 4-42  
Cylinder, Hyd 1.5B 02.8S .2500, 2-121  
Cylinder, Hyd 1.5B 02.8S.2500, 2-97  
Cylinder, Hyd 2.0B 12.0S 2500, 2-19  
Cylinder, Hyd, 2.0b 15.0l 08.00strk 1500, 2-67  
Cylinder, Hyd, 2-107, 2-109, 2-111  
Cylinder-Hyd2.0X4.0Da2500Psi, 2-27, 2-101, 2-105
- ### D
- Detergent Pkg, 4 Liter, Sgl [Tco 665], 2-3, 2-139  
Diode, Ele, Plug, 2-145  
Disk Assy, Pad Drive, 16d  
Rep.By397916, 2-5  
Disk, Pad Drive, W/Face, 16d  
Rep.By397976, 2-5  
Door Wldt, Brush, Lh, 2-9  
Door Wldt, Brush, Rh, 2-11  
Door, Dump, 2-21  
Door, Dust, 2-27  
Door, Eng, Side, 2-15  
Door, Rear, Rh, 2-13  
Drain Cock, .25NPT, 2-61, 2-63  
Drain Cock, .25Npt Wh#120 Angl, 2-51, 2-53, 2-55  
Drive Cl, 4-11, 4-17  
Drive Shaft, 4-19  
Drive, 4-3, 4-5, 4-7, 4-9, 4-15  
Duct Assy, Vacfan, W/ Seal, 2-31  
Duct, Vinyl .40X.75X26.0 .25D, 3-9  
Duct, Vyl, 0.40 X 0.75 .25d 06.0l, 3-11, 3-13  
Duct, Vyl, 0.40 X 0.75 .25d 10.0l, 3-11, 3-13  
Duct, Vyl, 0.40 X 0.75 .25d 19.0l, 3-11, 3-13  
Duct, Vyl, 0.40 X 0.75 .25d 24.0l, 2-23  
Dust Cont Kit S Br 8400, 3-33
- ### E
- Element, Breather, 5-9  
Element, Filter, 2-3, 2-61, 2-63  
Element, Fltr, Fuel [Dn], 2-47, 2-49  
Element, Fltr, Fuel [Dn#p560380], 2-3  
Element, Safety, 3-38  
End Cap Cl, 4-11  
End Cap, 4-7, 4-9  
End, Cap, 4-15  
Engine Assy, Die, 2-35  
Extinguisher Kit Fire 8400/8410, 3-25  
Extinguisher, Fire, 3-25
- ### F
- Fan, Cooling, 18.0d, 8 Blade, 0.5b Taper, 2-59  
Fan, Radiator, 2-57  
Fan, Repair Kit, Reassembly, 2-147

- Fastener, Southco #62-10-102-30, 2-53, 2-55  
 Fastener, Velcro 2.0W 2L T400, 2-17  
 Filter Assy, Air, Molded Ure, 2-139  
 Filter Assy, Fuel, Dsl, 2-47, 2-49  
 Filter Assy, Spin-On, 2-61, 2-63  
 Filter Element, Air, 2-41  
 Filter, Backflush 35 Mesh, 3-5  
 Filter, Foam, 2-141  
 Filter, Inline, Pf06/Pf06, 80 Mesh, 2-141  
 Filter, Oil, 5-4  
 Filter, PKG, Panel, 94 Pleats, 2-25  
 Fitting , Elbow Gr, 4-37  
 Fitting Assy, Cap, 0.070b, Pf04/Bm08 (Repl. by 9002438), 2-137  
 Fitting Assy, Cap, 0.093b, Pf04/Bm08 (Repl. by 9002439), 2-137  
 Fitting Assy, Orifice, 0.070b, Pf04/Pf04, 2-137  
 Fitting Assy, Orifice, 0.093b, Pf04/Pf04, 2-137  
 Fitting, Hyd, E45, Jm06 /Om04, 2-79  
 Fitting, Hyd, E45, Jm20 /Om24, 2-79  
 Fitting, Brass E90, 2-47, 2-49  
 Fitting, Brs, E90, Cf03/Pf02, 2-139  
 Fitting, Brs, E90, Em05/Pm04, 2-49  
 Fitting, Brs, E90, Pm04/Bm08, 2-137, 2-139  
 Fitting, Brs, Flng, Bm08, 2-137  
 Fitting, Brs, Str, Bm05/Pm04, 2-49  
 Fitting, Brs, Str, Pf02/Pm04, 2-137  
 Fitting, Brs, Str, Pm02/Bm04, 2-139  
 Fitting, Brs, Str, Pm04/Pm04, 2-137  
 Fitting, Brs, Tee, Pf04/Pf04/Pf04, 2-137  
 Fitting, Bulkhead Fem,, 3-3  
 Fitting, E, Gr, 4-41  
 Fitting, Elbow Gr, 4-37  
 Fitting, Hyd, E90, Jm04/Om04, 2-31  
 Fitting, Hyd, E90, Jm04om04l, 2-95  
 Fitting, Hyd, E90, Jm06/Om08, 2-59  
 Fitting, Hyd, E90, Jm08/Om08, L, 2-31  
 Fitting, Hyd, E90, Jm08/Om08, 2-31, 2-79  
 Fitting, Hyd, E90, Jm08/Om10, 2-79  
 Fitting, Hyd, E90, Jm10/Om12, 2-79  
 Fitting, Hyd, E90, Jm12/Om16, 2-79  
 Fitting, Hyd, Str, Jm06/Om10, 2-35  
 Fitting, Hyd, Str, Jm08/Om08, 2-93  
 Fitting, Hyd, Str, Jm10/Om12, 2-79  
 Fitting, Plastic Str 12Pf/16Pm, 2-131  
 Fitting, Plastic, Str,Ba.31ld-, 2-125  
 Fitting, Plastic, Str,Ba.31ld, 2-127, 2-129  
 Fitting, Plastic, 3-5  
 Fitting, Plstc, Pipe, Cap, Pf04, 2-139  
 Fitting, Plstc, Body, Spray, Pf04, 2-137  
 Fitting, Plstc, Cap, Spray, Pf04, 2-137  
 Fitting, Plstc, E90, Bm08/Pm04 Nyl, 2-137  
 Fitting, Plstc, E90, Bm08/Pm06, 2-141  
 Fitting, Plstc, E90, Bm08/Pm12, Nyl, 2-141  
 Fitting, Plstc, E90, Pf Bm [Es Pump], 4-41  
 Fitting, Plstc, E90, Swivel, Bm08/Pf08s, 2-141  
 Fitting, Plstc, Str, Bm04, Cplg, Fem, 2-139  
 Fitting, Plstc, Str, Bm06/Bm08, 2-129  
 Fitting, Plstc, Str, Bm08/Pm04 Nyl, 2-137  
 Fitting, Plstc, Str, Bm08/Pm06, 2-141  
 Fitting, Plstc, Str, Bm08/Pm12, 2-141  
 Fitting, Plstc, Str, Bm10/Bm10, 2-127, 2-129  
 Fitting, Plstc, Str, Bm12/Pm08, Nyl, 4-41  
 Fitting, Plstc, Str, Pm04, Cplg, Mal, 2-139  
 Fitting, Plstc, Str, Pm08/Pm08, 3-3  
 Fitting, Plstc, Str, Swivel, Pf08s/Bm08, 2-137  
 Fitting, Plstc, Str, 4-37  
 Fitting, Plstc, Tee, Bm08/Bm04/Bm08, 2-139  
 Fitting, Plstc, Tee, Bm10/Bm08/Bm10, 2-141  
 Fitting, Plstc, Y, Bm08/Bm08/Bm08 Nyl, 2-137  
 Fitting, Plstc, 3-5  
 Fitting, Plug, O-Ring [Eaton], 4-27  
 Fitting, Plug, 2-53, 2-55  
 Fitting-Barb, Strt 3/8 Id Hose, 3-7  
 Fitting-Barb,90Deg,3/8 Id Hose, 3-7  
 Fitting-Hyd Str, 2-71, 2-77  
 Fitting-Hyd Tee, 2-61  
 Fitting-Hyd, 2-77  
 Fitting-Plastic Str Blkhd 12Pf, 2-131, 2-133  
 Fitting-Plastic Str., 2-131  
 Fitting-Pls E90, 2-131, 3-3  
 Fitting, 4-39  
 Flange Mounting, 4-11, 4-15  
 Flange. Water Return, 5-7  
 Flange, Mounting, 4-7, 4-9  
 Flange, Water Pump, 5-33  
 Flange,Brg,3 Hole, 2-103  
 Flap, Containment, 2-57, 2-59  
 Flap, Protector, 2-133  
 Flapper, Valve, Pump, Water, 4-41  
 Flapper, Valve, 4-37, 4-39  
 Flasher Heavy Duty, 3-9  
 Flasher,12V.Ideal, 3-19  
 Float Bottle, 2-133, 3-3  
 Foam, Sbdc, Lh, 3-33  
 Foam, Sbdc, Rh, 3-33  
 Frame Wldt, Mtg, Brush, 2-105  
 Frame Wldt, Mtg, Radiator, 2-51  
 Frame Wldt, Squeegee Lh, 2-117  
 Frame Wldt, Squeegee Rh, 2-115  
 Frame Wldt, 2-7  
 Frame, Air Duct, 2-53  
 Frame, Squeegee, 2-123  
 Ftg Qkdisc, Male, 3-3  
 Ftg. Brass, Elb, 0.4Npt-.04 Brb, 2-51, 2-53, 2-55  
 Ftg, Brass,St Bm03/Pm02, 2-33  
 Ftg, Breather, 2-33  
 Ftg, EI90 Npt/02Pf-02Pm, 2-41  
 Ftg, Grease.25-28Th 90 .75L, 2-19  
 Ftg, Grease.25-28Th Strt .47L, 2-19  
 Ftg, Grease.25-28Th Strt .63L, 2-27, 2-67  
 Ftg, Plastic,Str, 3-3  
 Ftg,Plstc,Elb,Barb.50Hs-.50Hse, 2-125, 2-127, 2-129  
 Ftg,Plstc,Elb,Barb.50Pt-.62Hse, 3-3  
 Ftg,Plstc,Nip. 0.75Ptx 1.68Lg, 2-131  
 Ftg,Plstc,Str,Barb.50Pt-.75Hse, 3-3  
 Ftg,Plstc,Tee.50-.50-.50Pipe, 3-3  
 Ftg-Brs E45 Pm02/Pf02, 2-35  
 Ftg-Brs E90 Bm05/Pm02, 2-47, 2-49  
 Ftg-Brs E90 If05/Pm02, 2-47, 2-49  
 Ftg-Brs E90 Pm02/Pf02, 2-35  
 Ftg-Brs E90 If03/Pm02, 2-47  
 Ftg-Brs Str If05/Pm02, 2-47, 2-49  
 Ftg-Hyd Crs Jm04/Om04, 2-109  
 Ftg-Hyd E45 Jm04/Om04, 2-27, 2-95, 2-97, 2-101, 2-109  
 Ftg-Hyd E45 Jm04/om04, 2-29  
 Ftg-Hyd E45 Jm06/Om06, 2-67  
 Ftg-Hyd E45 Jm08/Om08, 2-77, 2-95  
 Ftg-Hyd E45 Jm08/om08, 2-29  
 Ftg-Hyd E45 Jm12/Om12, 2-57, 2-59  
 Ftg-Hyd E45, 2-51, 2-53, 2-55, 2-93  
 Ftg-Hyd E9 Jm06/Om08, 2-35  
 Ftg-Hyd E90 Jm04 Om04, 2-147  
 Ftg-Hyd E90 Jm04/Jf04, 2-57, 2-59, 2-101  
 Ftg-Hyd E90 Jm04/Om04, 2-19, 2-27, 2-95, 2-99, 2-101, 2-105, 2-107, 2-111, 2-113, 2-121  
 Ftg-Hyd E90 Jm04/om04, 2-29  
 Ftg-Hyd E90 Jm06/Om04, 2-95  
 Ftg-Hyd E90 Jm06/Om06, 2-57, 2-59, 2-67, 2-113  
 Ftg-hyd E90 Jm06/Om06, 2-93  
 Ftg-Hyd E90 Jm08/Jf08, 2-113  
 Ftg-Hyd E90 Jm08/Om06, 2-77  
 Ftg-Hyd E90 Jm08/Om08, 2-57, 2-59, 2-93, 2-107, 2-109, 2-111, 2-113  
 Ftg-Hyd E90 Jm10/Jf10, 2-77  
 Ftg-Hyd E90 Jm10/Om10, 2-35  
 Ftg-Hyd E90 Jm10/Om12, 2-77  
 Ftg-Hyd E90 Jm12/Om12, 2-113  
 Ftg-Hyd E90 Jm16/Om12, 2-61, 2-63  
 Ftg-Hyd E90 Jm16/Om16, 2-51, 2-53, 2-55  
 Ftg-Hyd E90Jm06/Jf06, 2-35  
 Ftg-Hyd PLG JM08, 2-35  
 Ftg-Hyd Plg Jm08, 2-93  
 Ftg-Hyd Plg Om10, 2-93  
 Ftg-Hyd Plg Om12, 2-71  
 Ftg-Hyd Rst Jm04/.047, 2-19  
 Ftg-Hyd Str Jm08/Om10, 2-147  
 Ftg-Hyd Str Jm04/Jf06, 2-93  
 Ftg-Hyd Str Jm04/Om04, 2-19, 2-67, 2-95, 2-103, 2-107, 2-111  
 Ftg-Hyd Str Jm04/om04, 2-29  
 Ftg-Hyd Str Jm04/Om06, 2-71, 2-149  
 Ftg-Hyd Str Jm04/Om08, 2-57, 2-59  
 Ftg-Hyd Str Jm06/Jf10, 2-35  
 Ftg-Hyd Str Jm06/Om04, 2-77, 2-93  
 Ftg-Hyd Str Jm06/Om06, 2-93, 2-113, 2-149  
 Ftg-Hyd Str Jm06/Om08 (See Breakdown), 2-59  
 Ftg-Hyd Str Jm06/Om08, 2-35, 2-57, 2-93  
 Ftg-Hyd Str Jm08/Jf12, 2-61, 2-77  
 Ftg-Hyd Str Jm08/Om06, 2-77

## CROSS REFERENCE

Ftg-Hyd Str Jm08/Om08, 2-71, 2-103, 2-113  
Ftg-Hyd Str Jm08/om08, 2-29  
Ftg-Hyd Str Jm08/Om10, 2-93, 2-99  
Ftg-Hyd Str Jm10/Om12, 2-67, 2-77  
Ftg-Hyd Str Jm16/Om12, 2-61, 2-63  
Ftg-Hyd Str Jm16/Om16, 2-57, 2-59  
Ftg-Hyd Str See60054 Jm12/Jf16, 2-61  
Ftg-Hyd Str, 2-93  
Ftg-Hyd Tee Jm04Jfjm, 2-109  
Ftg-Hyd Tee Jm04Jmjf, 2-19, 2-71  
Ftg-Hyd Tee Jm04Jmom, 2-19, 2-29, 2-93, 2-113  
Ftg-Hyd Tee Jm04Omjm, 2-57, 2-59  
Ftg-Hyd Tee Jm06Jmjf, 2-93  
Ftg-Hyd Tee Jm06Omjm, 2-93  
Ftg-Hyd Tee Jm08Jfjm, 2-77  
Ftg-Hyd Tee Jm12Jfjm, 2-77  
Ftg-Hyd, 2-121  
Ftg-Metric E90 0mm16/Jm08, 2-35  
Ftg-Plstc E90 12Pf/12Pf, 2-131  
Ftg-Plug Npt 02Pm Sq Hd, 2-47, 2-49  
Ftg-Plug Npt 12Pm Rd Hd Plstc., 2-131, 2-133  
Ftg-Str Npt/Npt 06Pf-08Pm, 2-35  
Fuel Pump Cover, 5-28  
Fuelline .188 Od, 2-47, 2-49  
Fuelline, 2-47, 2-49  
Fuse, 40 Amp, 2-155

### G

Gage Kit, Hyd Tank, 3-39  
Gas Cap, Protectoseal, 3-27  
Gasket Ku, 2-35  
Gasket Cap, 2-135  
Gasket Lid, 2-135  
Gasket. Brg. Case Cov., 5-13  
Gasket, .19, 4.05id 5.29od [Buna], 3-7  
Gasket, .25 1.88d 1.0id [Poron], 4-41  
Gasket, 2.00id 5.38od .19 [Buna], 3-29, 3-30  
Gasket, 2.7D 1.5B.12T 5/ 2.1Bc, 2-47  
Gasket, 4.05id 5.29od .19 [Buna], 2-133, 2-135, 4-37, 4-39, 4-41  
Gasket, Brg. Case, 5-13  
Gasket, Check Valve, 2-131, 4-37  
Gasket, Cover, Head, 5-11  
Gasket, Cylinder Head, 5-5  
Gasket, De-Mister, 2-133  
Gasket, Deliv. Valve, 5-23  
Gasket, Drain Cap, 2-135  
Gasket, Ex-manifold, 5-35  
Gasket, Fuel Pump, 5-28  
Gasket, H/Meter Unit, 5-7  
Gasket, Head Cover, 5-9  
Gasket, Hyd Cap, 2-93  
Gasket, In-manifold, 5-36  
Gasket, Manifold, Inlet, 5-36  
Gasket, Muffler, 5-35  
Gasket, Oil Pan, 5-4  
Gasket, Oil Pump, 5-3  
Gasket, Pump Cover, 5-21

Gasket, Sender, Fuel, 2-49  
Gasket, Tank, 2-131  
Gasket, Water Flange, 5-32  
Gasket, Water Pump, 5-33  
Gasket, 2-123, 2-131, 2-133, 4-39, 5-3, 5-4, 5-7, 5-9, 5-20, 5-21, 5-23, 5-26, 5-27, 5-32  
Gasspring, 120lb, 7.1strk, 2-23  
Gauge, Oil, 5-18  
Gauge, Sight Lh, 3-39  
Gear Motor Assy, 4-43  
Gear, Camshaft, 5-15  
Gear, Crankshaft, 5-17  
Gear, Injection Pump, 5-20  
Gear, Oil Pump Drive, 5-3  
Gear, Ring, 5-19  
Geroler, 4-3, 4-5  
Geroter & Coupler, 4-23, 4-25  
Gerotor Assy Cl, 4-11  
Gerotor S/A Cl, 4-17  
Gerotor Set, 4-7, 4-9, 4-15  
Gerotor, 4-27  
Grill Wldt, Rear, 2-53, 2-55  
Grill, Rear, 2-55  
Grill, 2-51  
Grommet Rbr 0.25ld For .09Matl, 2-151  
Grommet, Detergent Tank, 3-7  
Grommet, Rbr, 0.63id, F/0.8h, .12 Matl, 3-11, 3-13, 3-15, 3-17, 3-19  
Grommet, Rbr, 0.69id, F/0.1h, .25 Matl, 3-11, 3-13, 3-15, 3-17  
Grommet, Rbr, 0.69id, 3-7  
Grommet, Rbr, 1.06id, F/ 1.4h, .19matl, 2-127, 2-129  
Grommet, Rbr, 1.06id, F/1.4h, .19 Matl, 2-23  
Grommet, Rbr, 0.62ld, For .06Matl, 2-33  
Grommet, Rbr, 0.38ld, For .12Matl, 2-51  
Grommet, Rbr, 0.69ld, For.25Matl, 3-19  
Grommet, Rbr, 1.00ld, For .12Matl, 2-51, 2-53, 2-55  
Guard Kit, Ohg, 3-20  
Guard Kit, Overhead, 87 Height, 3-21  
Guard Wldt, Light, Revl/Flsh, 3-15, 3-17  
Guard Wldt, Oh, Top, 3-20, 3-21  
Guard, Alternator, 2-39  
Guard, Brush, 2-99  
Guard, Scrub, Edge, 2-111  
Guard, String, Brush Motor, 2-99  
Guard, String, Scrub Brush, 2-107, 2-109, 2-111  
Guide, Inlet Valve, 5-5  
Guide, Exhaust Valve, 5-5  
Guide, Side Squeegee, 2-115, 2-117

### H

Handle Lift Brush, 2-149  
Handle, Arm, Safety, 2-19  
Harness [7400/8410 Fast Update], 2-145  
Harness, Alarm, Backup, 3-19  
Harness, Back, Fast, [8410], 2-145  
Harness, Front, Fast, [8410], 2-145

Harness, Hopper 8410, 2-172  
Harness, Jumper, Pump [7400/8410], 3-5  
Harness, Light, Flsh, Revl, [ 355], 3-15, 3-17  
Harness, Light, Revl, Ohg [355], 3-11, 3-13  
Harness, Main, 8410 Die, 2-172  
Harness, Turn Signal, 3-9  
Head, Cyl, 5-5  
Headlight Assy, 210G, 3-19  
Headlight, 12vdc, 50watt [#70744], 2-23  
Hinge Wldt, W/Pin Engine Cover, 2-15  
Hinge, .25pin .13 2.7w 03.0l 4/H&S, 2-23  
Hinge, Door, Brush, 2-9, 2-11  
Hinge, Seat, 2-13  
Hinge, W/Pin, 2-15  
Hinge, 2-15  
Holder, Deliv. Valve, 5-23  
Holder, Fork Lever, 5-25  
Hook, Engine, 5-5  
Hopper Wldt, 2-21  
Horn, 12vdc, DbA [Wolo], 2-23  
Horn, Back-Up Alarm, 3-19  
Hose Assy, Drain, 2-135  
Hose Assy, W/1cuff, 1.5d 120l 1.5/, 3-29, 3-30  
Hose Kit, Vacuum, Replmt [8410], 2-133  
Hose Radiator, 1.50 ldx 3.0 Lg, 2-61  
Hose Rbr, 1.50 id 1.88od 3.0l, 2-63  
Hose Rubber .18l.D X 8.0 Lg, 2-47, 2-49  
Hose, Afmkt, Pvc, Brd 0.75id 1ft, 2-129  
Hose, Afmkt, Pvc, Brd 0.75id 3ft, 2-129  
Hose, Afmkt, Pvc, Clr 0.25id 1ft, 2-139  
Hose, Afmkt, Pvc, Clr 0.25id 2ft, 2-139  
Hose, Afmkt, Pvc, Wir, 0.50 ld 1ft, 2-129, 2-137, 2-139, 2-141  
Hose, Air Intake, Molded, Die, 2-41  
Hose, Air Intake, Molded, 2-41  
Hose, Fuelline, 10.0L, 2-47, 2-49  
Hose, Hyd Med08, 2-87, 2-91  
Hose, Hyd, Hi 12, Jf Str/E90, 2-85  
Hose, Hyd, Tc08, Jf08str/Jf08e90, 20.0, 2-89  
Hose, Hyd, 2-85, 2-89  
Hose, Molded, Es, 3-5  
Hose, Pvc, .50ldx.73Od 34.0Lg, 2-125  
Hose, Pvc, Brd, 0.62id 0.88od 09.00l, 3-5  
Hose, Pvc, Brd, 0.62id, 2-127, 2-129  
Hose, Pvc, Wir, 0.50id, 2-127, 2-129  
Hose, Radiator 1.50ld X 6.0Lg, 2-61  
Hose, Rbr 1.50id 1.88od 4.0l, 2-63  
Hose, Rbr 1.50id 1.88od 6.0l, 2-63  
Hose, Rubber, 3-5  
Hose, Vacuum, .16ld X 28.0Lg, 2-33  
Hose, Vacuum, 2-147, 3-28  
Hose, Vin Clr .5ld .70D .5L, 2-125, 2-127, 2-129  
Hose, Vin Wir .5ld .70d 47.0L, 2-125  
Hose, Vin Wire .51D .70D 30.0L, 2-125  
Hose, Vinyl .62ld .88Od 2.0L, 3-3  
Hose, Vinyl .62ld .88Od 5.3L, 3-3  
Hose, Vinyl Clr.38ld X 80.0Lg, 3-7  
Hose, Vinyl Clr, .75ldx 65.0Lg, 3-3

Hose, Vinyl, Cl Nyre .38ldx21L, 3-7  
 Hose, Vinyl, Cl Nyre .38ldx28L, 3-7  
 Hose, Vinyl, Clear, 4-39  
 Hose, Vinyl, 2-125  
 Hose,.62 ldx60.00 Lng Heater, 2-125  
 Hose-Fuel, .31ld 23.0L, 2-47, 2-49  
 Hose-Hyd Hi 12 Jf/J9, 2-87  
 Hose-Hyd Low 06, 2-35  
 Hose-Hyd Low 08, 2-35  
 Hose-Hyd Low04 Jf/J9, 2-87, 2-91  
 Hose-Hyd Low04 Jf/Jf, 2-87, 2-91  
 Hose-Hyd Low06 Spcl 40.0 J9/J4, 2-35  
 Hose-Hyd Low06 Spcl 44.0 J9/J9, 2-35  
 Hose-Hyd Low06, 2-35, 2-87, 2-91  
 Hose-Hyd Med 04 Jf/J9, 2-87, 2-91  
 Hose-Hyd Med 06, 2-87, 2-91  
 Hose-Hyd Med04 Jf/J4, 2-87, 2-91  
 Hose-Hyd Med04 Jf/J9, 2-87, 2-91  
 Hose-Hyd Med04 Jf/Jf, 2-87, 2-91  
 Hose-Hyd Med04, 2-87, 2-91  
 Hose-Hyd Med06 Jf/J9, 2-87, 2-91  
 Hose-Hyd Med08 Jf/J4, 2-87, 2-91  
 Hose-Hyd Med08 Jf/J9, 2-87, 2-91  
 Hose-Hyd Med08 Jf/Jf, 2-87, 2-91  
 Hose-Hyd Med08, 2-87, 2-91  
 Hose-Hyd Med16 Jf/J9, 2-87, 2-91  
 Hose, 2-51, 2-53, 2-55  
 Housing Assy Ce, 4-21  
 Housing Assy, Pump, 4-23, 4-25  
 Housing Assy,, 4-5  
 Housing Assy, 4-27  
 Housing Cl, 4-11, 4-15  
 Housing Kit, Pump, Water, 4-41  
 Housing Wldt, Rear, 2-147  
 Housing Wldt, Vacfan, 9.0d Impeller, 2-31  
 Housing, Assy Cl, 4-3  
 Housing, Brg Cl, 4-3  
 Housing, Brg, 4-5  
 Housing, Flywheel, Machined, 2-35  
 Housing, Flywheel, 5-19  
 Housing, Headlight, Hppr, 2-23  
 Housing, Rear Drive Support, 2-67  
 Housing, Vac Fan W/Label, 2-147  
 Housing, 4-7, 4-9, 4-19  
 Hub & Stud, 2-67  
 Hub Assy, Brush Arm, 2-103  
 Hub, Brush Adaptor, 1.00B, 2-99  
 Hub, Drive, Brush, Disk, 1.00b 6t, 2-107, 2-109, 2-111  
 Hub, Drive, Brush, Disk, 3hole 5.8bc[6t], 2-4, 2-5  
 Hub, Pivot, 2-27

**I**

Impeller 9.5 Dia. 18 Blade Mac, 2-147  
 Impeller, 9.00d X 0.376b, 2-31  
 Impeller, Water Pump, 5-33  
 Indicator Service Air Filter, 2-41  
 Insert, Cap, Mount, Es Pump, 4-41  
 Insert, Cap, 4-37  
 Insert, Plate, Cam, Pump, Hyd, 4-27  
 Instr. Repair Info, Motor, 4-5

Instr, Pump Repair, 4-19  
 Instr, Repair, Pump, 4-27  
 Insulation Acoustic, 2-13  
 Insulation, Acoustic .75Thk Ec, 2-13  
 Insulation, Acoustic, Hopper,, 2-21  
 Insulation, Acoustic, 2-13, 2-17, 2-25  
 Insulation, Acstc, 0.3, 13.0 X 6.5, 2-31  
 Insulation, Acstc, 0.5, 19.5 X 11.5 Ntch, 2-31  
 Insulation, Acstc, 0.8 27.6w 40.7l, 2-15  
 Insulation, S/Foam, 2-15  
 Insulation,Acoustic,Hopper,Upp, 2-21  
 Isolator, Mounting, 2-35  
 Isolator, Rubber .25X1.50X6.00, 2-7  
 Isolator, Valve, 2-93  
 Isolator, Vib, Bshg, 1.1d 0.6l .4b 0.78h, 2-31  
 Isolator-Vibration .31-18, 2-53, 2-55  
 Isolator-Vibration, 125Lb. Ratng, 2-29  
 Isolator-Vibration,125Lb.Ratng, 2-43, 2-45, 2-51, 2-53, 2-55, 2-57, 2-59, 2-71, 2-73, 2-75, 2-95, 2-113, 2-147

**J**

Joint, Breather Pipe, 5-9  
 Joint, Drain Cock, 5-3  
 Joint, Pipe, 5-7  
 Joint, 5-24

**K**

Key Set,Switch, 2-151  
 Key Square 0.12 0.12 00.50 Lg, 4-12  
 Key Square 0.12 0.12 01.00 Lg, 4-13  
 Key, Feather, 5-3, 5-15, 5-17, 5-20, 5-26, 5-29  
 Key, Shaft, Pump, Hyd, 4-27  
 Key-Wdruff 0.25 1.00 Asa#0808, 4-11, 4-15  
 Key, 4-3, 4-5, 4-14, 4-23, 4-25  
 Kit, Air Filter, Engine, 3-38  
 Kit, Backflush, W/Harness Replaces 379001 □(See Breakdowns), 3-5  
 Kit, Brush, Motor, Ele, 4-41  
 Kit, Brush, 4-39  
 Kit, Bumper, Squeegee, 2-123  
 Kit, Caster, Squeegee, 2-123  
 Kit, Fitting, Garden Hose, 3-3  
 Kit, Replacement, Armrest, 2-13  
 Kit, Replmt, Pivot, Squeegee, 2-119  
 Kit, Rotating Group, 4-19  
 Kit, Rotating, Pump, Hyd [Cessna], 4-27  
 Kit, Seal, Hyd, Pump, 4-27  
 Kit, Seal, Pump, 4-19  
 Kit, Shim, Brg, 4-19  
 Kit, Shim, 4-27  
 Kit, Spacer, Brg, 4-19  
 Kit, Valve Handle, 3-29, 3-30  
 Kit, Valve, Check, Pump, Water, 4-41  
 Knob, Adj, 2-123  
 Knob, Adjusting, 2-97, 2-101

Knob, Jam, 2-123  
 Knob, Rnd, 19d, Plstic, M6x12 Stud -Zn, 2-139  
 Knob, 2-37

**L**

Label [Fast], 2-139  
 Label [Nfsi Certification], 2-17, 2-139  
 Label Set, Info & HZD 8400/8410, 2-173  
 Label Set, Operational 8400/8410, 2-173  
 Label Set, Opertrnl, 2-145  
 Label, Attention Fast Users 5400s, 2-133, 2-139  
 Label, Fast, 2-17  
 Label, Logo, Tennant, Oval, 254l,Blu/Grn, 2-23  
 Label, Numerals 8410, 2-173  
 Label, Overlay, Touch Panel, 2-151  
 Label, Tennant Logo, 2-13  
 Lamp Replmt Kit (5) F/59972, 2-153  
 Lamp Strobe, Amb [12-48 Vdc], 3-11, 3-13, 3-15, 3-17  
 Lamp, 12vdc, 2.1a, 32cp [#1156], 3-11, 3-13, 3-15, 3-17  
 Lamp, Bulb, Lamp, Flsh, 3-15, 3-17  
 Lamp, Bulb, Lamp, Strobe, 3-11, 3-13  
 Lamp, Replmt Kit (8) F/56330, 2-151  
 Lamp, Replmt Kit (8) F/59972, 2-151  
 Lanyard Assy, 3-20, 3-21, 3-28  
 Latch, Bolt, 2-9, 2-11  
 Latch, Draw, Flexible, 3-37  
 Latch, Elastic, 3-37  
 Latch, Hook, 2-11  
 Latch, Trigger, 2-15  
 Latch, 2-9, 2-103  
 Lens, Amb, Flsh Light [Fr207], 3-11, 3-15  
 Lens, Blu, Flsh Light [Fr207], 3-11, 3-15  
 Lens, Lamp, Amb, Strobe/Flasher, 3-11, 3-13, 3-15, 3-17  
 Lens, Light, Revl, Amb, 3-13, 3-17  
 Lens, Light, Revl, Blu, 3-13, 3-17  
 Lens, Light, Revl, Red, 3-13, 3-17  
 Lens, Red, Flsh Light [Fr207], 3-11, 3-15  
 Level Sensing Assy, 2-133, 3-3  
 Lever Wldt, Edge Scrubbing, 2-105  
 Lever, Engine Stop, 5-21  
 Lever, Fork, 5-25  
 Lever, Speed Control, 5-26  
 Lever, Throttle, Diesel, 2-37  
 Light Assy Mark/Yel 12V- . A, 3-9  
 Light Assy Work/Clr 12V- . A, 3-18  
 Light Kit Signal, 3-9  
 Light Kit, Flsh, Ped, Ci [8400/10], 3-17  
 Light Kit, Side Brush, 3-18  
 Light Kit, Strobe, Ohg, Ci [8400/10], 3-11, 3-13  
 Light Kit, Strobe, Ped, Ci [8400/10], 3-15  
 Light, Flsh, 12vdc, Amb, Rwk 82198, 3-11, 3-15  
 Light, Flsh, 12vdc, Amb, Rwk, 3-13, 3-17  
 Link Wldt, Edge Scrubbing, 2-105  
 Link Wldt, Squeegee, Lh, 2-119

## CROSS REFERENCE

Link Wldt, Squeegee, Rh, 2-119  
Link Wldt, Upper, 2-107, 2-109, 2-111  
Link, Lower, 2-107, 2-109, 2-111  
Link, Throttle, 2-37

### M

Maint. Kit, Seals 355 Line, 2-3  
Maint. Kit, Skirts, 355 Line, 2-3  
Manifold, Exhaust, 5-35  
Manifold, Hyd Collector, 2-57, 2-59, 2-71  
Manifold, Inlet, 5-36  
Manifold, Soltn Cntrl, 2-127, 2-129  
Manifold, Water Distribution, 2-125, 2-127, 2-129  
Manual Pkg 8410D, 3-43  
Manual, CD-Rom, Oprts&Parts, All (NA), 3-43  
Manual, Operator ES, 3-43  
Manual, Operator FR, 3-43  
Manual-Fiche Pkg 8410D, 3-43  
Metal, Crankpin, 5-17  
Metal, Crankshaft, 5-17  
Metal, Side, 5-17  
Molding, Trim 11-14Ga 8.50, 2-17  
Molding, Trim, Pvc, .08-.11 07.5l, 2-23  
Motor 12V Dc, 4-37, 4-39  
Motor, Ele, 12vdc, Pump, Water, 4-41  
Motor, Hyd Gear Ex 0.13 L 3000, 4-13  
Motor, Hyd Gear Ex 0.13L 3000 (See Breakdown), 2-147  
Motor, Hyd Gear Ex 0.26 R 3000, 4-12  
Motor, Hyd Gear Ex 0.26 R3000 (See Breakdown), 2-57  
Motor, Hyd Gear In 02.8 B 1500 (See Breakdowns), 2-103  
Motor, Hyd Gear In 02.8 B 1500, 4-15  
Motor, Hyd Gear In 07.3 B 1500 (See Breakdowns), 2-107, 2-109, 2-111  
Motor, Hyd Gear in 07.3 B 1500, 4-11  
Motor, Hyd Gear In 19.0 (See Breakdowns), 2-67  
Motor, Hyd Gear In 19.0, 4-3  
Motor, Hyd Gear, 4-5  
Motor, Hyd, Gear, Ext 0.19 Lh 1800, 2-31  
Motor, Hyd, Gear, Ext 0.29 Rh 3000, 2-59  
Motor, Hydraulic, 4-7, 4-9, 4-14  
Motor, Mtg, Die, Lh, 2-35  
Motor, Mtg, Die, Rh, 2-35  
Motor, Elec Shaker 12V, 2-25  
Motor-Hyd Gear In 14.13 B1500 (See Breakdowns), 2-99  
Mount, Cable Tie, 3-11, 3-13  
Muffler, Exhaust, 2-43, 2-45  
Muffler, Spark Arresting, 3-26

### N

Nozzle, Plastic Wand 14.OLG, 3-28  
Nut Hx Ss M 8X1.25, 2-115, 2-117  
Nut Wheel .50-20 60 Angle, 2-67  
Nut, Cap, 5-9, 5-21, 5-26

Nut, Cart., Lng Cp, 4-29, 4-33, 4-35  
Nut, Cart., Sht Cp, 4-29, 4-31, 4-33, 4-35  
Nut, Crankshaft, 5-17  
Nut, Flange, 5-3  
Nut, Hex, Flexlock, .31-24, Thin, 2-31  
Nut, Hex, Flng, M6 X 1.0, 3-11, 3-13  
Nut, Hex, Flng, M8 X 1.25, 3-19  
Nut, Hex, Jam, M10 X 1.5, Ss, 2-107, 2-111  
Nut, Hex, Lock, .25-20, NI, 2-31, 2-47, 2-49, 2-73, 2-75  
Nut, Hex, Lock, .25-28, NI, 2-73, 2-75  
Nut, Hex, Lock, .38-16, NI, 2-107, 2-109, 2-111  
Nut, Hex, Lock, .50-13, NI, Ss, 2-123  
Nut, Hex, Lock, .75-10, NI, 2-67  
Nut, Hex, Lock, M 6 X 1.0, NI, 2-127  
Nut, Hex, Lock, M08 X 1.25, NI, 2-79  
Nut, Hex, Lock, M10 X 1.5, NI, Ss, 2-107, 2-111  
Nut, Hex, Lock, M10 X 1.5, NI, 2-31, 2-73, 2-75, 2-101  
Nut, Hex, Lock, M12 X 1.75, NI, 2-21, 2-73, 2-75, 2-103, 2-121  
Nut, Hex, Lock, M4 X 0.7, NI, 2-33  
Nut, Hex, Lock, M5 X 0.8, NI, 3-11, 3-13, 3-15, 3-17  
Nut, Hex, Lock, M6 X 1.0, NI, 2-21, 2-71, 2-129, 3-11, 3-13, 3-15, 3-17  
Nut, Hex, Lock, M6 X 1.0, Ss, NI, 2-9, 2-11  
Nut, Hex, Lock, M6 X 1.00, NI, 2-47, 2-49, 2-59  
Nut, Hex, Lock, M8 X 1.25, NI, Ss, 2-31, 2-69, 2-107, 2-109, 2-111, 2-121  
Nut, Hex, Lock, M8 X 1.25, NI, 2-47, 2-49, 2-59, 2-71, 2-93  
Nut, Hex, Sltd, 1.00-20, 2-69  
Nut, Hex, Std, .25-28, 2-73, 2-75  
Nut, Hex, Std, M10 X 1.25, 2-21  
Nut, Hex, Std, M12 X 1.75, Ss, 2-9, 2-11  
Nut, Hex, Std, M12 X 1.75, 2-69  
Nut, Retainer R/.312 Dia, 2-19  
Nut, Wing, .44-20 Special, 2-41  
Nut-Hex Slot 1.12-18, 2-67  
Nut-Hx Jam 1.00-14 Pltd, 3-3  
Nut-Hx Jam .62-18, 2-119  
Nut-Hx Jam .62-18Left Ss18-8, 2-119  
Nut-Hxlocnyln .31-18 Thin Pltd, 2-105  
Nut-Hxlocnyln .38-16 Thin Pltd, 2-115  
Nut-Hxlocnyln .62-18 Thin Pltd, 2-119  
Nut-Hxlocnyln M 5X0.8 Reg 18-8, 2-135  
Nut-Hxlocnyln M 8X1.25 Reg Ss, 2-73, 2-75, 2-105, 2-117, 2-119, 2-125, 2-127, 2-129  
Nut-Hxlocnyln M10X1.5 Reg 18-8, 2-115, 2-117, 2-119  
Nut-Hxlocnyln M10X1.5, 2-43, 2-45  
Nut-Hxslot .75-16 Pltd, 4-15  
Nut-Low Crown .50-20 Pltd, 2-147  
Nut-Wing .31-18 Pltd, 2-65  
Nut, 2-149, 4-3, 4-5, 5-5, 5-7, 5-21, 5-24, 5-26, 5-30, 5-32, 5-33, 5-34, 5-35

### O

O -Ring, 5-17  
O Ring, 5-3, 5-7, 5-9, 5-11, 5-23, 5-26  
O-Ring Ku, 2-35  
O-Ring Gland, 2-77  
O-Ring, 5-4  
Oil Cartridge, 2-35  
Oil Shield, Breather, 5-9  
Oil, Hydr. 15/40, 2-3  
Operator Station, Die W/Label, 2-13  
Output Shaft, 4-7, 4-9

### P

Packing, Gear Case, 5-7  
Pad, Buff, 16.0d, Red, 2-5  
Pad, Polish, 16.0d, White [1pad=1pc], 2-5  
Pad, Scb, 16.0d, Blu [1pad=1pc], 2-5  
Pad, Stripping, 16.0d [Hi Prod 1pad=1pc], 2-5  
Pad, Stripping, 16.0d, Brown [1pad=1pc], 2-5  
Pad, Tread, 2-7, 2-73, 2-75  
Pad, 2-71, 2-101  
Pane, Acrylic, 3-39  
Pane, Plstc, 2-13  
Panel Wldt, Corner, 2-51  
Panel, Instmt, Upper, [8410], 2-13  
Panel, Instrument, Replmt Kit, 2-153  
Panel, Lh, 2-17  
Panel, MTG, Hose, 3-28  
Panel, Perma-Filter, 2-21  
Panel, Rh, 2-17  
Panel, Touch, Replmt Kit/73214, 2-153  
Pedal, Propel, Lower W/Tread, 2-73, 2-75  
Pedal, Brake Lock, 2-71  
Pedal, Propel, Upper W/Tread, 2-73, 2-75  
Performance Pkg 400Hr Die 8400, 2-3  
Pin Assy, Side Brush W/Clip, 2-99  
Pin Cl, 4-17  
Pin Clevis .375 Dia X 1.13 Lg, 2-121  
Pin Clevis 0.37 Dia X 0.75 Lg, 2-115, 2-117, 2-121  
Pin Hair Cotter .056Dx1.1L, 2-115  
Pin Wldt, Scrub Head, 2-105  
Pin Wldt, 2-121  
Pin, Start, 5-7  
Pin, Clevis .31 Dia X 4.50 Lg, 2-73, 2-75  
Pin, Clevis .50 Dia X 2.25 Lg, 2-27  
Pin, Clevis .50 Dia X 4.50 Lg, 2-73, 2-75  
Pin, Clevis .75 DiaX.5Lg, 2-99  
Pin, Clevis, .19 DiaX.50 Lg, 2-37  
Pin, Clevis, 0.37 Dia 2.25Lg, 2-121  
Pin, Clevis, 0.37d X 1.00l, 2-69  
Pin, Clevis, 0.38d X 1.13l, 2-69  
Pin, Clevis, Grooved, 2-19  
Pin, Clevis, Upper, 2-19  
Pin, Cotter .125X1.25, 2-101  
Pin, Cotter .125 X 1.25, 2-111  
Pin, Cotter .250 X 1.25, 2-107, 2-111  
Pin, Dowel, Pump, Hyd, 4-27  
Pin, Dowel, 4-23, 4-25



Pin, Hair Cotter .375D .072Wir, 2-115, 2-117, 2-121  
 Pin, Hair Cotter 13D 3 Wire, 2-73, 2-75  
 Pin, Hitch, 2-123  
 Pin, Lift Arm, 2-19  
 Pin, Pipe, 5-3  
 Pin, Piston, 5-17  
 Pin, Roll Ce, 4-21  
 Pin, Roll, 4-19  
 Pin, Scrub Brush, .625D 5.00L, 2-107, 2-109, 2-111  
 Pin, Scrub Head, .75D X 6.812L, 2-105  
 Pin, Spring, 5-21  
 Pin, Straight, 5-3, 5-7  
 Pin, Support, Wheel, Rear, 2-67  
 Pin, Tappet Guide, 5-23  
 Pin, Clevis, .50 Dia X 1.25 Lg, 2-27  
 Pin, Clevis, 0.25 Dia X 0.75 Lg, 2-105  
 Pin, Clevis, 0.31 Dia X 1.00 Lg, 2-115, 2-117  
 Pin, Clevis, 0.37 Dia X 1.50 Lg, 2-97, 2-115  
 Pin, Clevis, 0.37 Dia X 6.12 Lg, 2-107, 2-109, 2-111  
 Pin, Clevis, 0.50 Dia X 1.50 Lg, 2-101  
 Pin, Clevis, 0.50 Dia X 1.75 Lg, 2-101, 2-105  
 Pin, Clevis, 0.50 Dia X 2.00 Lg, 2-27  
 Pin, Clevis, 0.50 Dia X 2.50 Lg, 2-111  
 Pin, Clevis, 0.50 Dia X 5.00 Lg, 2-99, 3-33, 3-35  
 Pin, Clevis, 0.50 Dia X 5.50 Lg, 2-99, 3-35  
 Pin, Hair Cotter #Lhcot-2, Leitm, 3-33  
 Pin, Roll, .18Odx1.25L, .187/.192, 2-27  
 Pin, Roll, .38Odx2.00L, .375/.382, 2-27, 2-103  
 Pin, Spring, 10.5Mm X 26Mm, 2-35  
 Pin, 2-123, 4-19  
 Pipe, Breather, 5-9  
 Pipe, Exhaust, Die, 2-43, 2-45  
 Pipe, Injection, 5-27  
 Pipe, Water Return, 5-32  
 Pipe, Water, 5-11  
 Piston, Control Ce, 4-21  
 Piston, 4-19, 5-17  
 Pivot Assy, S Br, 2-99  
 Pivot Wldt, 2-119  
 Pivot, 2-123  
 Plate - Hose Support, 2-67  
 Plate Kit, Valve, Replmt, 4-23  
 Plate Seal, 2-103  
 Plate Wldt, Backing, 2-23  
 Plate Wldt, Floor, 2-13  
 Plate, Adjusting, 5-23  
 Plate, Backup, 3-3  
 Plate, Cam, 4-27  
 Plate, Circuit Breaker, 2-155  
 Plate, Cover, 4-23, 4-25, 4-27  
 Plate, Element, 5-9  
 Plate, Mounting, Latch, 2-103  
 Plate, Mounting, Shaker Filter, 2-25  
 Plate, Mounting, Valve, 2-113  
 Plate, Mtg, Channel, 2-53, 2-55  
 Plate, Mtg, De-Mister, 2-133  
 Plate, Mtg, Light, 3-11, 3-13

Plate, Mtg, Main Brush Shaft, 2-103  
 Plate, Mtg, Radiator, 2-53, 2-55  
 Plate, Mtg, Steering Boot, 2-149  
 Plate, Orifice, 0.070id, 2-137  
 Plate, Orifice, 0.093id, 2-137  
 Plate, Pin, Clevis, Upper, 2-19  
 Plate, Reainer, Front, Sbd, 3-33  
 Plate, Retainer, Cover, Sbd, 3-33  
 Plate, Retainer, Front, Lh Sbd, 3-33  
 Plate, Retainer, Front, 2-3, 2-21  
 Plate, Retainer, Sbd, Rh, 3-33  
 Plate, Retainer, Wheel Pocket, 3-33  
 Plate, Retainer, 2-3, 2-21  
 Plate, Seat, 2-13  
 Plate, Shield, Muffler, 2-43, 2-45  
 Plate, Speed Control, 5-26  
 Plate, Stiffener, Tray, Filter, 2-25  
 Plate, Swash, 4-19  
 Plate, Valve, Pump, Hyd, 4-27  
 Plate, Valve, 4-3, 4-5, 4-19, 4-25  
 Plate, Wear Cl, 4-17  
 Plate, 2-25, 5-23  
 Plug #2, 4-29, 4-31, 4-33, 4-35, 4-42  
 Plug #4, 4-5, 4-29, 4-31, 4-33, 4-35  
 Plug #6, 4-29, 4-31, 4-33, 4-35  
 Plug #8, 4-33, 4-35  
 Plug Assembly Cl, 4-3  
 Plug Assembly Ph, 4-3, 4-11, 4-15  
 Plug Assembly, 4-5  
 Plug Assy Cl, 4-17  
 Plug Gage #6, 4-42  
 Plug S/A, 4-23, 4-25  
 Plug Thread 1/2-13, 2-103  
 Plug Tube, 2-103  
 Plug Weld, Brush Drive, Sweep, 2-103  
 Plug Wldt, Idler, 2-103  
 Plug, Blind, 5-3  
 Plug, Cap, Check Valve, 2-131  
 Plug, Drain, 5-4  
 Plug, Float, 2-133, 3-3  
 Plug, Glow, 5-27  
 Plug, Hole, Rnd, 1.00h .00-.17, Blk Nyl, 2-135  
 Plug, O-Ring, Motor, Hyd, 4-19  
 Plug, Oil Filler, 5-9, 5-11  
 Plug, Oil Ku, 2-35  
 Plug, Orifice [Cp], 4-35  
 Plug, Orifice Cp, 4-29, 4-31, 4-33, 4-35  
 Plug, Panl, Switch, 2-13  
 Plug, 4-9, 4-19, 5-3, 5-5, 5-7, 5-31, 5-32  
 Plugbtn .38H .03-.12 Blacknyl, 2-13  
 Plugbtn .50H .03-.12 Blacknyl, 2-13  
 Plugbtn .62H .03-.12 Blacknyl, 2-155  
 Plugbtn 1.00H .03-.12 Blacknyl, 2-13  
 Plunger, Pump, 5-23  
 Poppet, Valve, Check, 4-19  
 Pos Sol Control Drain Sys Kits, 3-29  
 Pos Sol Ctrl Drain Sys Kit Es, 3-30  
 Pulley, Cable, 1.5d, Nyl, 2-97, 2-101  
 Pulley, Cable, 1.5d Nyl, 2-69  
 Pulley, Fan Drive (P.T.O.), 5-29  
 Pully, Fan, 5-33  
 Pump Adaptor Assy, 4-23, 4-25

Pump Assy, Charging, 4-27  
 Pump Assy, Column, Es (See Breakdowns), 3-5  
 Pump Assy, Column, Es, 4-41  
 Pump Body Kit, 4-37, 4-39  
 Pump Shaft, 4-37  
 Pump, Air, Ele, 12vdc, 2-139  
 Pump, Column, Es, 4-37  
 Pump, Detergent Metering (See Breakdowns), 3-7  
 Pump, Detergent Metering, 4-43  
 Pump, Detgt, 12vdc [560s], 2-139  
 Pump, Fuel, 2-47, 2-49  
 Pump, Hyd Piston L 2.77 R 2500 (See Breakdowns), 2-77  
 Pump, Hyd Piston L 2.77 R 2500, 4-21  
 Pump, Hyd Piston V 1.24 R 4000 (See Breakdowns), 2-77  
 Pump, Hyd Piston V 1.24 R 4000, 4-25  
 Pump, Hyd Piston V 1.24, 4-23  
 Pump, Hyd, Piston [L] 2.75 [R] 2500 (See Breakdown), 2-79  
 Pump, Hyd, Piston [L] 2.75 [R] 2500, 4-19  
 Pump, Hyd, Piston [V] 1.24 [R] 4000 (See Breakdown), 2-79  
 Pump, Hyd, Piston [V] 1.24 [R] 4000, 4-27  
 Pump, Soltn, Ele, 12vdc [W/O Chk Valve], 2-137  
 Pump, Water (See Breakdowns), 3-5  
 Pump, Water, 4-39  
 Push Rod, 5-15

**R**

Race Thrust, 4-11, 4-15  
 Race, Bearing Ce, 4-21  
 Race, Bearing Cl, 4-17  
 Race, Bearing, Pump, Hyd, 4-27  
 Race, Bearing, 4-23, 4-25  
 Race, Inner Bearing, 4-23, 4-25  
 Race, Thrust, 4-7, 4-9  
 Rack, Control, 5-23  
 Radiator, F/1018063 Afmkt, 2-51, 2-53, 2-55  
 Rectifier, 2-39  
 Regulator, 2-39  
 Relay, 12vdc, 40a, Spdt N/O [Potter], 2-145  
 Relay, 12vdc, 40a, Spdt N/O, 3-11, 3-13, 3-15, 3-17  
 Relay, Shrouded, 12 VDC, 3-19  
 Relay, Shrouded, 12 Vdc, 2-155  
 Relief Valve, 4-23, 4-25  
 Repair Info Cl, 4-17  
 Repair Info. Ce, 4-21  
 Repair Info. Cl, 4-3, 4-11, 4-15  
 Repair Info., 4-7, 4-9, 4-12, 4-13, 4-14  
 Repair Info, Pmp CE, 4-23, 4-25  
 Replacement Kit, Motor Hyd. F/53435 (See Breakdowns), 2-99  
 Replm Kit, Instr Panel F/83719, 2-151  
 Replm Kit, Instr Panel F/83720, 2-153  
 Replm Kit, Propel Cable, 2-73, 2-75

## CROSS REFERENCE

Replm. Kit, Rear Drive Housing, 2-67  
Reservoir, 10.0 Gal, W/Label [8410], 2-93  
Resistor Assy W / 5 Pin Plug, 2-145  
Retainer, Centering, Pad Rep.By370095, 2-5  
Retainer, Frt Cl, 4-3  
Retainer, Frt, 4-5  
Retainer, Squeegee, 2-115, 2-117  
Retainer, Valve Sp., 5-34  
Retainer, 2-123  
Ring Coupling Mounting, 2-35  
Ring Retain Ex, 0.75D, 2-135  
Ring, Retain, Ex0.50Od,Heavydt, 2-149  
Ring, Retaining Cl, 4-17  
Ring, Retaining, Ext, .88 Dia, 2-19  
Ring, Retaining, External, 2-123  
Ring, Retaining, Intl 2.00Dia, 2-19  
Ring, Retaining, Pump, Hyd, 4-27  
Ring, Retaining, 2-123, 4-19, 4-27  
Ring,Retain,Ex,0.37Od,Selflock, 2-121  
Ring,Retain,Ex,0.50Od,Selflock, 2-27  
Ring,Retain,Ex,0.98Od,E-Ring, 2-71, 2-119  
Ring, 4-3, 4-5  
Rivet Pop-.125Dx.32X.25Dhd St, 2-147  
Rivet, Plastic .250Dx.898, 2-13, 2-155  
Rivet, Plastic .250X.898, 2-7, 2-9, 2-11, 2-21  
Rivet, Plastic .250x.898, 3-31  
Rivet, Plstc, .181d X 0.720, 2-23  
Rivet, Plstc, .250d X 0.898, 2-145  
Rivet, Plstc, .325d X 0.787, 2-23  
Rod End .250-28 .25Dia, 2-73, 2-75  
Rod End .312-24 W/Stud, 2-117  
Rod End M10 X1.5 W/Stud, 2-107, 2-111  
Rod Wldt, Pivot, 2-21  
Rod, Hinge, 2-13  
Rod, Latch, Steering, Tilt, 2-149  
Rod, Piston, 4-19  
Rod, Seat, 2-13  
Rod, Thrd, 2 End, M08 X 1.3 02.71, 2-31  
Rod, Threaded, Brush Lift, 2-101  
Rod, Tie, Squeegee, 2-117  
Rod-Thrd, Full .25-28, 2-37  
Rod, 2-27, 2-69, 2-123  
Roller 1.75, 2-111, 3-35  
Roller Bearing, 4-23, 4-25  
Roller, Side Squeegee, 2-115  
Roller, Thimble, 2-121  
Roller, 3-35  
Rollpin, 4-21  
Rotating Kit Ce, 4-21  
Rotating Kit, 4-23, 4-25

## S

Scr Hex .38-16X1.00, 2-93  
Scr Hex M6X1.0, 2-57, 2-59  
Scr Hex Ssm M8X55, 2-71  
Scr Hexssm 10X1.5 25, 2-119  
Scr Hexssm 5X0.8 25, 2-135  
Scr Hexssm 6X1.0 25, 2-105

Scr Hexssm 8X1.25 30, 2-105, 2-115, 2-117  
Scr Hexssm 8X1.25 25, 2-117  
Scr Hexssm 8X1.25 X 20, 2-127, 2-129  
Scr Hexssm 8X1.25, 2-105, 2-125  
Scr Hexssm10X1.5 30, 2-115, 2-117  
Scr Hexssm10X1.5, 2-119  
Scr Pan M5X0.8 16, 2-133  
Scr Soc .50-13X1.50, 2-67  
Scr-Hex M12X1.75 110 Full Thd, 2-73, 2-75  
Scr-Hex .31-24X0.75 Nylon Loc, 2-73, 2-75  
Scr-Hex M8X1.5 50, 2-29  
Scr-Hexssm 8X1.25 16 Nylon Loc, 2-119  
Scr-Hexssm 8X1.25 20 Nylnloc, 2-131, 2-133  
Scr-Hexssm 8X1.25 25 Nylnloc, 2-73, 2-75  
Scr-Set 10-24X0.25 Nylon Loc, 2-25  
Scr-Shld .312Dx1.00L .25-20, 2-73, 2-75  
Scr-Shld .375Dx0.38L .31-18, 2-53, 2-55  
Scr-Shld .50Odx0.75L .38-16, 2-115  
Scr-Soc M16X2.0 50 12.9Pltd, 2-67  
Screen, 50 Mesh, Ss, 2-137  
Screen, Fltr, 80 Mesh, 2-141  
Screen, Pump, Detergent, 3-7  
Screen, Sol, Dbl Cylindrical, 3-5  
Screw Cap Cp, 4-33, 4-35  
Screw Cap Cl, 4-11  
Screw Hexssm 6X1.0, 2-135  
Screw Hexssm10X1.5 35, 2-115, 2-117  
Screw Set M 6X1.020, 2-37  
Screw, Set, 5-15  
Screw, .31-18X3.75, 4-23, 4-25  
Screw, Adjusting, 5-34  
Screw, Cap Ce, 4-21  
Screw, Cap Cl, 4-3, 4-17  
Screw, Cap, Pump, Hyd, 4-27  
Screw, Cap, Valve, Hyd, 4-31  
Screw, Cap, 4-5, 4-7, 4-9, 4-19, 4-23, 4-25, 4-27  
Screw, Chz, M 5 X 0.8 X 55, 4.8, 2-55  
Screw, Flt, .25-20 X 1.00, Al, 2-31  
Screw, Flt, M5 X 0.8 X 16, 10.9, 2-103  
Screw, Flt, M8 X 1.25 X 20, 10.9, 2-139  
Screw, Follow, 5-23  
Screw, Hex, .25-20 X 0.75, Ni, 2-31  
Screw, Hex, .25-20 X 1.00, 5, 2-107, 2-109, 2-111  
Screw, Hex, .25-20 X 1.75, 5, 2-73, 2-75  
Screw, Hex, .31-18 X 1.00, 5, 2-55  
Screw, Hex, .31-18 X 1.50, 5, 4-27  
Screw, Hex, .38-16 X 5.50, 5, 2-107, 2-109, 2-111  
Screw, Hex, .75-10 X 3.25, G5, 2-67  
Screw, Hex, M 6 X 1.0 X 20, Ss, 2-127, 2-129  
Screw, Hex, M08 X 1.25 X 35, Ss, Ni, 2-113  
Screw, Hex, M08 X 1.25 X 70, 8.8, 2-79  
Screw, Hex, M10 X 1.25 X 35, 8.8, 2-21  
Screw, Hex, M10 X 1.5 X 130, 8.8, 2-121  
Screw, Hex, M10 X 1.5 X 20, Ss, 2-9, 2-11

Screw, Hex, M10 X 1.5 X 25, Ss, 2-9, 2-11  
Screw, Hex, M10 X 1.5 X 30, 8.8, 2-93  
Screw, Hex, M10 X 1.5 X 40, 8.8, 2-73, 2-75  
Screw, Hex, M12 X 1.25 X 30, 8.8, 2-35  
Screw, Hex, M12 X 1.25 X 30, 8.8, 2-79  
Screw, Hex, M12 X 1.75 X 60, 10.9, 2-21  
Screw, Hex, M12 X 1.75 X 80, 8.8, 2-103  
Screw, Hex, M14 X 1.5 X 25, 8.8, 2-35  
Screw, Hex, M4 X 0.7 X 20, 8.8, 2-33  
Screw, Hex, M5 X 0.8 X 12, Ss, 2-71  
Screw, Hex, M5 X 0.8 X 16, 8.8, 3-11, 3-13, 3-15, 3-17  
Screw, Hex, M5 X 0.8 X 20, 8.8, 2-137  
Screw, Hex, M6 X 1.0 X 12, Ss, Ni, 2-139  
Screw, Hex, M6 X 1.0 X 16, 8.8, 2-47, 2-49, 3-11, 3-13  
Screw, Hex, M6 X 1.0 X 16, Ss, Ni, 2-137  
Screw, Hex, M6 X 1.0 X 20, 8.8, Ni, 2-23  
Screw, Hex, M6 X 1.0 X 20, 8.8, 3-15, 3-17  
Screw, Hex, M6 X 1.0 X 20, Ss, Ni, 2-103  
Screw, Hex, M6 X 1.0 X 25, Ss, 2-9, 2-11, 2-21  
Screw, Hex, M6 X 1.0 X 30, 8.8, 2-145  
Screw, Hex, M6 X 1.0 X 35, Ss, 2-103, 2-137  
Screw, Hex, M8 X 1.25 X 100, 8.8, 2-121  
Screw, Hex, M8 X 1.25 X 16, 8.8, 2-59  
Screw, Hex, M8 X 1.25 X 16, Ss, 2-137  
Screw, Hex, M8 X 1.25 X 20, 8.8, 3-15, 3-17, 3-19  
Screw, Hex, M8 X 1.25 X 20, Ss, Ni, 2-139  
Screw, Hex, M8 X 1.25 X 25, 8.8, 2-47, 2-49, 2-59  
Screw, Hex, M8 X 1.25 X 25, Fmg, 2-9, 2-11  
Screw, Hex, M8 X 1.25 X 25, Ss, 2-9, 2-11, 2-121, 2-139  
Screw, Hex, M8 X 1.25 X 30, Ss, 2-107, 2-109, 2-111  
Screw, Hex, M8 X 1.25 X 35, Ss, Fl, 2-69, 2-73, 2-75  
Screw, Hex, M8 X 1.25 X 40, 8.8, 2-121  
Screw, Hex, M8 X 1.25 X 55, Ss, 2-69  
Screw, Hex, M8 X 1.25 X 70, 8.8, 2-93  
Screw, Hex, M8 X 1.25 X 80, 8.8, 2-59, 2-71  
Screw, Hex, W/ Washer [Ku], 5-11  
Screw, Pan, M4 X 0.7 X 35, Ss, 2-5  
Screw, Pan, M5 X 0.8 X 16, 4.8, 2-131  
Screw, Pan, M6 X 1.0 X 35, Ss, 2-4, 2-5  
Screw, Set, 5-34  
Screw, With Washer, 5-9, 5-27  
Screw-Chs M 5X0.8 60 4.8, 2-51, 2-53  
Screw, 2-123, 4-7, 4-9, 4-19  
Screws, 4-23, 4-25  
Seal Kit, 4-7, 4-9  
Seal Kit, Cart Cp, 4-33, 4-35  
Seal Kit, Cart Cp, 4-33, 4-35  
Seal Kit, Cart Cp, 4-29, 4-31  
Seal Kit, Cart, 4-33, 4-35  
Seal Kit, Coil Cp, 4-33, 4-35  
Seal Kit, Coil Cp, 4-29, 4-31

- Seal Kit, Coil, 4-33, 4-35
- Seal Kit, Hyd Mtr Gear Bn, 4-12, 4-13
- Seal Kit, Motor, 4-14
- Seal Kit, One Cartridge, 4-14
- Seal Kit, Pump Ce, 4-21
- Seal Kit, Pump, 4-23, 4-25
- Seal Kit, Rear, 4-3, 4-5
- Seal Kit, Shaft Cl, 4-3
- Seal Kit, Shaft, 4-5
- Seal Kit, Stg Cl, 4-17
- Seal Replmt Kit, 2-153, 4-11, 4-15
- Seal, Bearing, 2-149
- Seal, Boot, Steering Column, 2-149
- Seal, Bulb 140.0 Lg, 2-25
- Seal, Bulb, Sd-0106 36.10 Lg, 2-13
- Seal, Bulb, Sd-0106 65.00 Lg, 2-13
- Seal, Bulb, Sd-0168 25.00 Lg, 2-13
- Seal, Bulb, Sd-0504 21.25 Lg, 2-17
- Seal, Bulb, Sd-0504 27.12 Lg, 2-15
- Seal, Bulb, Sd-0504 29.50 Lg, 2-17
- Seal, Bulb, Sd-0504 40.25 Lg, 2-15
- Seal, Door, Brush, 2-9, 2-11
- Seal, Door, Dump, Side, 2-3, 2-21
- Seal, Door, Dump, 2-3, 2-21
- Seal, Door, Hopper, 2-21
- Seal, Duct, 2-51, 2-53, 2-55
- Seal, Foam Rbr .8 .8 2.8L, 2-125
- Seal, Foam Rubber, 2-9, 2-11, 2-21
- Seal, Foam, Door, 3-31
- Seal, Heat, 5-27
- Seal, Hose, 2-135
- Seal, Inlet, Vacfan, 2-31
- Seal, Lip, 90, 1.3w . Grip 050.0l, 2-23
- Seal, O-Ring, .069 X 3.06id, 4-27
- Seal, Oil, 5-13, 5-17, 5-21
- Seal, Org, 4-19
- Seal, Rear Drive Grease Cavity, 2-67
- Seal, Replmt Kit, 2-151
- Seal, Seat, Inner, 2-13
- Seal, Tube, Silicone, 2-133
- Seal, Ure .50 X .75 X 2.5L, 2-13
- Seal, Ure, 0.38, 0.75w 13.2l Adh, 2-31
- Seal, Ure, 0.38, 0.75w 33.0l Adh, 2-31
- Seal, Valve Stem, 5-34
- Seal, Wire, 4-19
- Seal, Foam Rbr, .38 .75W 18.2L, 2-57, 2-59
- Seat Belt Kit 8400/8410, 3-24
- Seat Belt, 3-24
- Seat Kit, Grammer 8400/8410, 3-22
- Seat, Grammer, 3-22
- Seat, Michigan, 2-13
- Seat, Spherical, 4-19
- Seat, Spring Lower, 5-23
- Seat, Spring Upper, 5-23
- Seat, Spring, 4-19
- Seat, Valve, Check, 4-19
- Seat, Valve, 5-7
- Send Unit, Temperature, 2-35
- Send-Unit, Fuel [800/810 2007], 2-49
- Sending Unit, 2-47
- Service Manual Pkg 8410, 3-43
- Service Manual, F/V2203B-3 KU, 3-43
- Shaft Idler, 2-103
- Shaft S/A, 4-5
- Shaft Wldt, Brake, 2-71
- Shaft Wldt, Main Brush, 2-103
- Shaft, Assy Cl, 4-3
- Shaft, Drive Ce, 4-21
- Shaft, Drive, 4-23, 4-25, 4-27
- Shaft, Fork Lever, 5-25
- Shaft, Idle Gear, 5-15
- Shaft, Lever, 5-21
- Shaft, Output, 4-11, 4-15
- Shaft, Pump, Water, 4-41
- Shaft, Pump, 4-39
- Shaft, 2-69
- Shield, Breather, 5-11
- Shield, Exhaust, 2-147
- Shield, Hyd Solenoid, 2-113
- Shield, Tube, Plstc, 2-121
- Shield, Valve, Water (Replaced by 1021095), 2-125
- Shield, Water Valve, 2-131
- Shim .020Th 0.88Odx0.506ld, 2-147
- Shim .060Th 0.880Dxo.506ld, 2-147
- Shim, Injection Pump, 5-24
- Shim, 5-23, 5-24
- Shock Absorber, 2-73, 2-75
- Shoe Set, Brake [1 Set=1pkg=2 Shoes], 2-69
- Shoe, Plastic-Squeegee 14IN, 3-28
- Shroud, Duct, Air, 2-55
- Shroud, Fan, Radiator, W/ Label, 2-57, 2-59
- Side Squeegee Se Kit, 3-35
- Signal Turn, 3-9
- Skirt, Brush Door, Inner, 3-31
- Skirt, Brush Door, Outer, 3-31
- Skirt, Brushdoor, 2-9, 2-11
- Skirt, Cover, Sbdc, 3-33
- Skirt, Deflection, Vac Kit, 3-31
- Skirt, Deflection, 2-9, 2-11
- Skirt, Front, Sbdc, 3-33
- Skirt, Hopper, Top, 3-31
- Skirt, Lip, 2-3, 2-21
- Skirt, Neo, .25, 03.50w 03.50l, 02 Hole, 2-23
- Skirt, Recirculation, 2-55
- Skirt, Sbdc, Rh, 3-33
- Skirt, Seal Main Brush, 2-7
- Skirt, Side, Sbdc., 2-3, 2-21
- Skirt, Wheel Pocket, Sbdc, 3-33
- Skirt, Hoppertop, 2-7
- Sleeve Gr, 4-37
- Sleeve, .370B .50D .50 Butwcd, 2-51, 2-53, 2-55
- Sleeve, .375B 1.00D .69 Cd,Znc, 2-39
- Sleeve, .414B .74D .92 Stl, 2-119
- Sleeve, .562B .88D .50 Znc, 2-29
- Sleeve, Bearing .625Od X .515, 2-115, 2-117
- Sleeve, Control, 5-23
- Sleeve, Crankshaft, 5-17
- Sleeve, Governor, 5-20
- Sleeve, Nyl 35.0L, 2-111
- Sleeve, Nyl 45.0L, 2-107
- Sleeve, Nyl 8.0L, 2-101
- Sleeve, Nyl See60150 #33 14.0L, 2-125
- Sleeve, Nyl, #27 08.0l, 2-31
- Sleeve, Nyl, #33 14.0l, 2-127
- Sleeve, Nyl, #37 16.0l, 2-127
- Sleeve, Nyl, 2-67, 2-107, 2-111
- Sleeve, Nyln, 2-29
- Sleeve, Nylon 25.0L, 2-97
- Sleeve, Nylon, 2-105
- Sleeve, Pump, Water, 4-41
- Sleeve, Roller, 2-121
- Sleeve, 1.12B 1.38D1.00 Rubber, 2-25
- Sleeve, 1.12B 1.62D1.50 Rubber, 2-25
- Sleeve-Nyln #24 25.0L, 2-35
- Sleeve-Nyln #38 25.0L, 2-103
- Sleeve-Nylon, 2-147
- Sleeve, 2-39, 2-103, 2-107, 2-109, 2-111, 4-39
- Slinger, Oil, 5-17
- Spacer Rep.By222460, 2-69
- Spacer Cl, 4-17
- Spacer Hub, 2-107, 2-109, 2-111
- Spacer Plate Cl, 4-11, 4-15
- Spacer Plate, 4-7, 4-9
- Spacer, .259ld 375Od .250Lg, 2-73, 2-75
- Spacer, Coil Cp, 4-33, 4-35
- Spacer, Pulley, 2-97, 2-101
- Spacer, 4-19, 4-23, 4-25
- Spring Assy, Recirculation, 2-7
- Spring Ce, 4-21
- Spring Kit, Scu Cl, 4-17
- Spring, Deliv. Valve, 5-23
- Spring, Conical Cp, 4-31, 4-33, 4-35
- Spring, EXT, 3-28
- Spring, Extension, 2-115, 2-117
- Spring, Extention, 2-121
- Spring, Gas 34 Lb 6.3 Stroke, 2-105
- Spring, Gas 90Lb 5.98 Stroke, 3-20, 3-21, 3-28
- Spring, Governor, 5-25
- Spring, Parking Brake, 2-71
- Spring, Plunger, 5-23
- Spring, Propel, Centering, 2-73, 2-75
- Spring, Return, 5-21
- Spring, Rocker Arm, 5-34
- Spring, Start, 5-25
- Spring, Tens.750Dx.10Wirex4.5, 2-97
- Spring, Tension, 2-21, 2-101, 2-107, 2-109, 2-111
- Spring, Tors 0.75D 1.00L .060W, 2-71
- Spring, Torsion, 2-71
- Spring, Valve, Check, 4-19
- Spring, Valve, 5-34
- Spring, Wir, 0.16d, Brush Retaining, 2-4, 2-5
- Spring, Shaker, 2-25
- Spring-Gas 90Lb 5.98Stroke, 2-15
- Spring, 2-69, 4-3, 4-5, 4-19, 4-23, 4-25, 4-42, 5-7
- Sprng,Comp,0.59ldx.05Wire 0.6L, 2-37
- Sprng,Comp,0.62ldx.06Wire 2.3L, 2-149
- Sprng,Comp,0.74ldx.11Wire 2.5L, 3-35

## CROSS REFERENCE

Sprng,Tens,0.37Odx.05Wire 4.5L, 2-37  
Sprng,Tens,0.87Odx.13Wire 9.0L, 2-119  
Sprng,Tens,1.12Odx.14Wire 4.8L, 2-99  
Squeegee Assy, Lh 8410, 2-117  
Squeegee Assy, Rh 8410, 2-115  
Squeegee Kit, Replmt, 2-123  
Squeegee Wand Kit 8410, 3-28  
Stay, Dynamo, 5-29  
Steer Control, Hyd#2 06.1 1000 (See Breakdowns), 2-149  
Steer Control, NYD#2 06.1 1000, 4-17  
Steering Wheel Insert, 2-149  
Stopper, Camshaft, 5-15  
Stopper, 5-20  
Strainer, Screen,Solution Tank, 2-131  
Strainer, Soltn, 20 Mesh, Cyl 4.0d 8.0l, 3-5  
Strainer-Hyd Suction 25-100-03, 2-93  
Strap Cap Retainer, 2-135  
Strap Weldmt, Gas Tank, 2-47, 2-49  
Strap, Backing Hopper, 2-7  
Strap, Deflector, Lh (Not Shown), 3-31  
Strap, Deflector, Rh, 3-31  
Strap, Deflector, 2-9, 2-11  
Strap, Door, Dump, Side, 2-3, 2-21  
Strap, Door, Dump, 2-3, 2-21  
Strap, Main Lip, 2-3, 2-21  
Strap, Motor, Shaker, 2-25  
Strap, 2-9, 2-11, 2-21, 3-31  
Strip Retainer Bearing, 2-103  
Strip Wldt, Front Retainer, 2-123  
Strip Wldt, Rear Retainer, 2-123  
Strip, .12 .8w3 .3l2 .38dia 2.25ctr, 2-73, 2-75  
Strip, Mtg, Gusset, 2-23  
Strip, Mtg, 2-23  
Strip, Nonslip, 2-123  
Strip, Retainer, Seal, 2-7  
Strip, Retainer, Skirt, 2-9, 2-11  
Strip, Retainer, 2-9, 2-11, 3-31  
Stud, Ball, .39d .31-16, Gasspring, 2-23  
Stud, Ball, Gas Spring, 2-15, 2-105, 3-20, 3-21, 3-28  
Stud, Wheel .50-20X1.50 pLTD, 2-67  
Stud, 5-5, 5-7, 5-24, 5-26, 5-30, 5-32, 5-33, 5-34, 5-35  
Support, Filter, 2-35  
Switch Assy, 4-42  
Switch Ignition, 2-151  
Switch, Hyd Flow Sensor (See Breakdowns), 2-77  
Switch, Hyd Flow Sensor, 4-42  
Switch, Press, 10psi, Spst, 2-137  
Switch, Pressure Oil, 2-35  
Switch, Pressure, 2-33  
Switch, Progressive, 2-125, 2-127, 2-129  
Switch, Pushmom, Spst100A 12V, 2-149  
Switch, Rocker, 36vdc 05a Dpst On/N/On, 2-145  
Switch, Rocker, 36vdc 05a Progressive, 2-145  
Switch, Roller, 2-19, 2-37, 3-9  
Switch, Snap Actn, 250vdc 20a Dpdt, 3-3

Switch, Snap Actn, 250vdc 25a Spdt, 2-133  
Switch, 2-79

**T**

Tab,Fuelline, 2-47, 2-49  
Taillight Assy, W/Quick Disc, 2-51, 2-53, 2-55  
Taillight, 2-13  
Tank Recovery, 2-133  
Tank, De-Mister, 2-133  
Tank, Detergent, 3-7  
Tank, Fuel W/Label, 2-47  
Tank, Fuel, 09.4gal, W/ Label, 2-49  
Tank, Radiator Fill, 2-51, 2-53, 2-55  
Tank, Solution, W/Label, 2-131  
Tape, Video, Operator, 8410, 3-43  
Tappet, 5-15  
Terminal, Bullet, Mal, .157d, 12ga, 3-11, 3-13, 3-15, 3-17  
Terminal, Ring, .25stud 16-14ga, Ins, 3-11, 3-13, 3-15, 3-17  
Thermostat Assembly,140 Deg, 2-25  
Thrust Bearing, 4-11, 4-15  
Tie, Cable 1.75d Max 7.50lg, 2-125, 2-131  
Tie, Cable 1.75D Max 7.50Lg, 2-73, 2-75, 2-113, 2-147, 3-9, 3-19  
Tie, Cable, Nyl, 07.3l .19w 1.8 Max D, 2-55, 2-127, 2-133, 3-7, 3-11, 3-13  
Tie, Cable, Nyl, 11.4l .19w 3.0 Max D, 2-151  
Tie, Cable, 2-111  
Timer, 9-41vdc, Recycling, 2-145  
Timer, Backflush, 4-39  
Tire & Wheel Assy, Solid Non Marking Turf 18X7, 3-41  
Tire & Wheel Assy, Solid Nonmark, 3-42  
Tire & Wheel Assy, Solid Turf 18X7, 3-40  
Tire & Wheel Assy, 2-67  
Tire Assy, Solid, 18.0x5.0 1.56b, 2-69  
Tire, Solid 18X5X12.12 Nonmark, 3-42  
Tire, Solid 18X7X12.12 Turf, Non Marking, 3-41  
Tire, Solid 18X7X12.12 Turf, 3-40  
Tire, Solid, 18.0 X 5.0 X 12.1 [No Rim], 2-69  
Tire, Solid, 18X6X12.125, 2-67  
Touch Panel Replmt Kit F/84069, 2-151  
Tower Wldt, Corner, 2-53, 2-55  
Tray, Battery, 2-65  
Tray, Filter Carrier, 2-25  
Tray, Fuel, 2-47, 2-49  
Tread,Floor-Nonskid, 2-13  
Tube Wldt, Leg, Ohg, Lh, 3-21  
Tube Wldt, Leg, Ohg, 3-21  
Tube Wldt, 3-35  
Tube, 0.62d 0.41b 0.6l, Ss, Cham, 2-115, 2-117  
Tube, Breather, 5-11, 5-36  
Tube, Hyd 06 Jf06/Jf06, 2-85  
Tube, Hyd 08 Jf08/Jf08, 2-85

Tube, Hyd 10, 2-85  
Tube, Hyd 12 Jf12/Jm12, 2-87, 2-91  
Tube, Hyd 16 Jf16/Jf16, 2-85, 2-89  
Tube, Hyd, Tank [8410], 2-89  
Tube, Leg, Ohg, Lh, 3-20  
Tube, Leg, Ohg, Rh, 3-20  
Tube, Pvc, Shc80, Clr, 4.0l, 2-141  
Tube, Radiator, Lower, Diesel, 2-61, 2-63  
Tube, Radiator, Upper, Diesel, 2-61, 2-63  
Tube, Retainer, Spring, 2-101  
Tube, Vinyl, Pump, Water, 4-41  
Tube,Spacer,.41Dx.32Bx1.Ol, 2-21  
Tube, 2-107, 2-111  
Tubing Connctr.Kit, Pmp, 4-43  
Tubing, Vinyl, 4-37, 4-39  
Turnbuckle, 2-119

## V

V Belt, 5-29  
V-Belt, A-42, 2-39  
Vacuumized Skirt Kit, Main Bru, 3-31  
Valve Assembly, Solenoid, 4-14  
Valve Assy, By-Pass, 4-27  
Valve Cl, 4-3  
Valve Kit, Hyd, F/73094/84145, Replmt, 2-93  
Valve Kit, Poppet, 4-43  
Valve Stem 3W2P, 4-31, 4-33, 4-35  
Valve Stem 4W2P, 4-29, 4-31  
Valve Stem N.C. Cp, 4-31  
Valve Stem N.O. Cp, 4-29  
Valve Stem, 4-29, 4-31, 4-33, 4-35  
Valve, Delivery, 5-23  
Valve, Breather, Complt, 5-11  
Valve, Check, 2gpm 2psi Bm04/Bm04, 2-139  
Valve, Check, Pump, Water, 4-41  
Valve, Check, 2-131, 4-37, 4-39  
Valve, Dump, 4-23, 4-25  
Valve, Exhaust, 5-34  
Valve, Hyd [Priority Ds16g1000], 2-93  
Valve, Hyd Cntrl Sol (See Breakdowns), 2-29  
Valve, Hyd Cntrl Sol, 4-29  
Valve, Hyd Control Sol (See Breakdowns), 2-95, 2-113  
Valve, Hyd Control Sol, 4-31, 4-33  
Valve, Hyd, Solenoid, 12vdc 0280psi (See Breakdowns), 2-113  
Valve, Hyd, Solenoid, 12vdc 0280psi, 4-35  
Valve, Inlet, 5-34  
Valve, Relief, 4000 Psi, 4-27  
Valve, Solenoid, 12V Dc, 3-3  
Valve, Solenoid, Water Flow, 12vdc, 2-127, 2-129  
Valve, Water, 12vdc, 6.0mm, 04pf, 2-137  
Valve, Water, Sol. 12VOC, 2-125, 2-127, 2-129  
Valve, Water, Sol, 12vdc, 10bm/10bm, 4-39  
Valve, 4-3, 4-5

Filter, Screen, 50 Mesh .59d .8l Ss, 2-137  
 Nut, Solenoid, 4-35  
 Plug, Orifice [Cp], 4-33  
 Plug, Orifice, 4-35  
 Seal Kit, Cartridge, 4-35  
 Solenoid, 12vdc, W/ Mp, 4-35  
 Valve, Stem, No, 4-35

**W**

Wand, Metal - 2PC, 3-28  
 Washer .380B 1.22D .06 Ss18-8, 2-119  
 Washer .400B 1.12D .12Cr Znc, 2-13,  
 2-29, 2-43, 2-45, 2-51, 2-53, 2-55,  
 2-57, 2-59, 2-71, 2-73, 2-75, 2-147  
 Washer 2.156B 3.50 Od .156 Felt, 2-67  
 Washer Flat .31, 2-71  
 Washer Flat .75, 2-71  
 Washer Flt 10 Ss, 2-135  
 Washer Flt .25 Ss, 2-105, 2-135  
 Washer Flt .31 Ss, 2-73, 2-75, 2-105,  
 2-115, 2-117, 2-125, 2-127, 2-129,  
 2-131  
 Washer Flt .38 Ss, 2-115, 2-117, 2-119,  
 2-121  
 Washer Flt .50 Ss, 2-115, 2-119  
 Washer Flt .62 Hard, 2-119  
 Washer Flt .75 Hard, 2-105  
 Washer Flt .75 SAE, 2-29  
 Washer, .125B .38D .035 Pltd, 2-147  
 Washer, .250b .88D .06Neopre, 2-73, 2-75  
 Washer, .281B .62D .06Nylon, 2-37  
 Washer, .391B .75D .06Nylon, 2-53, 2-55  
 Washer, .400B 1.12D .12Cr.Znc, 2-95  
 Washer, .530B 1.50D .19Hr, 3-33  
 Washer, .531B 1.75D .12Cr.Znc, 2-35  
 Washer, .531B 1.75D .12Cr.Znc, 2-103  
 Washer, .562B 3.03D .25Hr.Znc, 2-21  
 Washer, .656B 1.25D .06, 2-115, 2-117  
 Washer, .812B 1.06D .06Cr., 2-73, 2-75  
 Washer, Flat, .20b .50d .06, Alm, Blind,  
 3-15, 3-17  
 Washer, Flat, .31 Std, 2-79  
 Washer, Flat, .50 Sae, 2-79  
 Washer, Flat, #08, Ss, 2-5  
 Washer, Flat, #10, Ss, 2-71  
 Washer, Flat, #10, 2-59, 2-71, 2-137, 3-11,  
 3-13  
 Washer, Flat, #8, Ss, 2-139  
 Washer, Flat, 0.25 Fendr, 2-31  
 Washer, Flat, 0.25 Sae, 2-73, 2-75  
 Washer, Flat, 0.25 Ss, 2-9, 2-11, 2-127,  
 2-129, 2-137, 2-145  
 Washer, Flat, 0.25 Std, 2-21, 2-23, 2-55,  
 2-69  
 Washer, Flat, 0.25, Sae, 2-47, 2-49  
 Washer, Flat, 0.25, Ss, 2-4, 2-5, 2-103  
 Washer, Flat, 0.25, Std, 2-93  
 Washer, Flat, 0.31 Sae, 2-69  
 Washer, Flat, 0.31 Ss, 2-9, 2-11, 2-73,  
 2-75, 2-121, 2-137, 2-139  
 Washer, Flat, 0.31 Std, 2-139  
 Washer, Flat, 0.31, Ss, 2-107, 2-109, 2-111

Washer, Flat, 0.31, Std, 2-47, 2-49, 2-59,  
 2-69, 3-15, 3-17, 3-19  
 Washer, Flat, 0.34b 0.75d .12, Viton,  
 2-137  
 Washer, Flat, 0.34b 0.75d .12 [Viton],  
 2-137  
 Washer, Flat, 0.38 Std, 2-73, 2-75  
 Washer, Flat, 0.38, Std, 2-93  
 Washer, Flat, 0.40b 1.12d .12, Stl, Pl, 2-31  
 Washer, Flat, 0.44b 1.00 .08, Ss, 2-9, 2-11  
 Washer, Flat, 0.44b 1.00d .08, Ss, 2-107,  
 2-111  
 Washer, Flat, 0.50 Sae, 2-35  
 Washer, Flat, 0.50 Std, 2-121  
 Washer, Flat, 0.56b 1.38d .11, Ss, 2-9,  
 2-11  
 Washer, Flat, 0.56b 1.38d .11, Ss, 2-111  
 Washer, Flat, 0.75, Sae, 2-67  
 Washer, Flat, 1.00 Sae, 2-69  
 Washer, Flat, Belleville, .31, 2-59  
 Washer, Flat, Belleville, .50, 2-103  
 Washer, Flat, 2-105  
 Washer, Flt, Pump, Hyd, 4-27  
 Washer, Lock, Int, #10, 2-131  
 Washer, Lock, Int-Ext, #10, 2-47, 2-49  
 Washer, Plain, 5-5, 5-7, 5-25, 5-26, 5-34  
 Washer, Poly, 3-29, 3-30  
 Washer, Pump, Hyd En, 4-27  
 Washer, Rbr, .12 0.66b 1.00d, 3-3  
 Washer, Rbr, 4-41  
 Washer, Rubber, 4-37  
 Washer, Sealing, 2-93  
 Washer, Spring, 5-3, 5-5, 5-7, 5-19, 5-24,  
 5-25, 5-26, 5-30, 5-32, 5-33, 5-34,  
 5-35  
 Washer, Thrust, 2-67, 2-119  
 Washer, With Rubber, 5-31, 5-32  
 Washer, Nyl, 0.405Bx0.812X.060Th, 2-97,  
 2-101  
 Washer-Belleville .3 Pltd, 2-73, 2-75  
 Washer-Belleville .31 Pltd, 2-13, 2-51,  
 2-53, 2-55, 2-121, 2-147  
 Washer-Belleville .38 Pltd, 2-119  
 Washer-Belleville .50 Pltd, 2-21  
 Washer-Bellville .38 Pltd, 2-77  
 Washer-Flat .44 Std Nylon, 2-107, 2-109,  
 2-111  
 Washer-Flt .75, 2-57, 2-59  
 Washer-Flt .25 Fender Pltd, 2-57, 2-59  
 Washer-Flt .31 Fender Pltd, 2-51, 2-53,  
 2-55  
 Washer-Loc int .31 Ss, 2-53, 2-55  
 Washer-Loc Int-Ext .25 Pltd, 2-47, 2-49  
 Washer, 2-123, 4-21, 4-23, 4-25, 5-34  
 Weight, Eccentric, 2-25  
 Wheel, 3 Inch Dia, 2-123  
 Wheel, 3 Inch Dia., 2-123  
 Wheel, Steering, 14.0d, Taper Bore, 2-149  
 Wingnut, 3-38  
 Wire, 42.0 Lg, 2Ga, Neg, 2-65  
 Wire, 78.0 Lg, 2Ga, Pos, 2-65  
 Wire-Ground, Alternator, 2-39  
 Wire, 4-19

Wireharness, Backflush, 4-39

**Y**

Yoke Assy., 2-37  
 Yoke, End-Adjustable, 2-97  
 Yoke, Pivot, Machining, 2-27



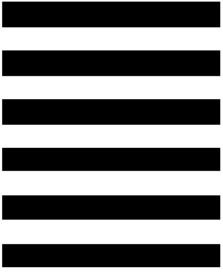




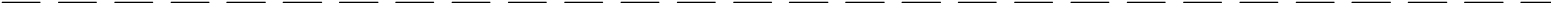
**TENNANT COMPANY**  
 Technical Publications #15  
 701 North Lilac Drive  
 P.O. Box 1452  
 Minneapolis, MN 55440-9947

POSTAGE WILL BE PAID BY ADDRESSEE

**BUSINESS REPLY MAIL**  
 FIRST CLASS MAIL PERMIT NO. 94 MINNEAPOLIS, MN

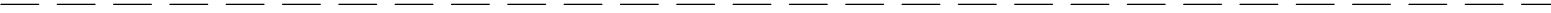


NO POSTAGE  
 NECESSARY  
 IF MAILED  
 IN THE  
 UNITED STATES



Fold along dotted lines

Tape here





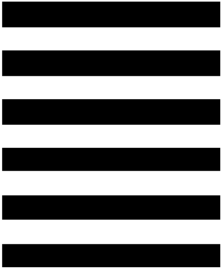




**TENNANT COMPANY**  
 Technical Publications #15  
 701 North Lilac Drive  
 P.O. Box 1452  
 Minneapolis, MN 55440-9947

POSTAGE WILL BE PAID BY ADDRESSEE

**BUSINESS REPLY MAIL**  
 FIRST CLASS MAIL PERMIT NO. 94 MINNEAPOLIS, MN



NO POSTAGE  
 NECESSARY  
 IF MAILED  
 IN THE  
 UNITED STATES



Fold along dotted lines

Tape here

